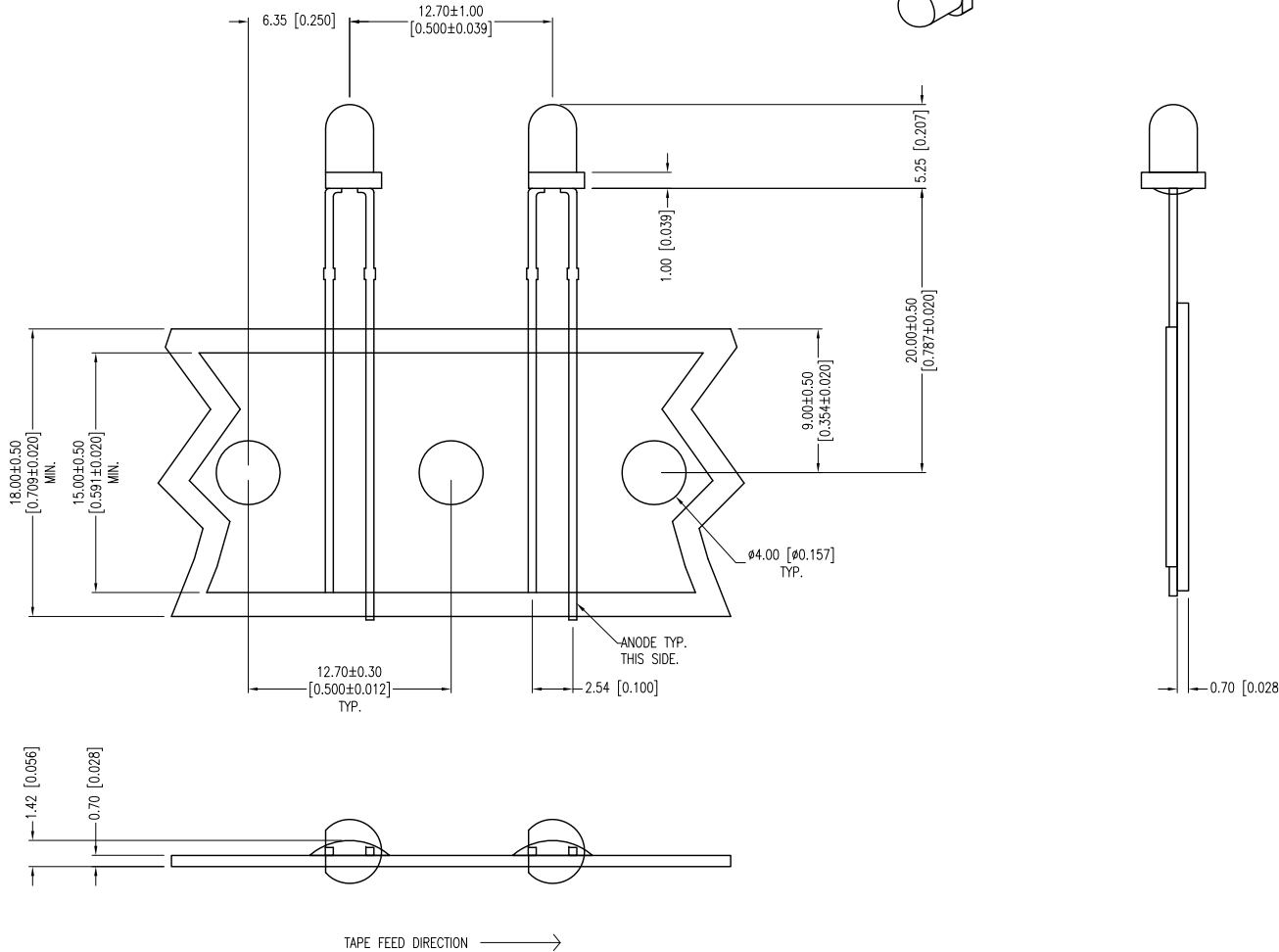
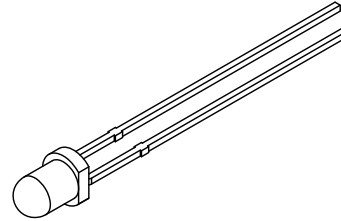
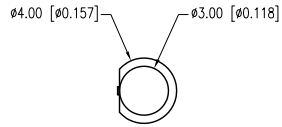


|             |                                     |      |      |
|-------------|-------------------------------------|------|------|
| PART NUMBER | SSL-LX3054YD-TR                     | REV. | A    |
| DATE        | E.C.N. NUMBER AND REVISION COMMENTS |      | REV. |
| 07.08.13    | E.C.N. #10BRDR. & REDRAWN IN 3D.    |      | A    |



ELECTRO-OPTICAL CHARACTERISTICS Ta=25°C If=20mA

| PARAMETER       | MIN             | TYP | MAX | UNITS    | TEST COND |
|-----------------|-----------------|-----|-----|----------|-----------|
| PEAK WAVELENGTH |                 | 590 |     | nm       |           |
| FORWARD VOLTAGE |                 | 2.1 | 2.5 | Vf       |           |
| REVERSE VOLTAGE | 5.0             |     |     | Vr       | If=100µA  |
| AXIAL INTENSITY | 8.0             | 15  |     | mcd      | If=20mA   |
| VIEWING ANGLE   |                 | 60  |     | 2x theta |           |
| EMITTED COLOR:  | YELLOW          |     |     |          |           |
| LENS FINISH:    | YELLOW DIFFUSED |     |     |          |           |

LIMITS OF SAFE OPERATION AT 25°C

| PARAMETER             | MAX        | UNITS |
|-----------------------|------------|-------|
| PEAK FORWARD CURRENT* | 140        | mA    |
| STEADY CURRENT        | 30         | mA    |
| POWER DISSIPATION     | 75         | mW    |
| DERATE FROM 25°C      | -1.2       | mW/°C |
| OPERATING TEMP.       | -40 TO +85 | °C    |
| STORAGE TEMP.         | -40 TO +85 | °C    |
| SOLDERING TEMP.       | +260       | °C    |
| 2.0mm FROM BODY       | 3          | SEC.  |

\* t<10µs

NOTES:  
1. 1.5K PER REEL.

\*UNLESS OTHERWISE SPECIFIED TOLERANCES PER DECIMAL PRECISION ARE: X=±1 (±0.039), X.X=±0.5 (±0.020), X.XX=±0.25 (±0.010), X.XXX=±0.127 (±0.005). LEAD SIZE=±0.05 (±0.002), LEAD LENGTH=±0.75 (±0.030). MIN.= +DECIMAL PRECISION MAX.= +DECIMAL PRECISION -0.00 DECIMAL PRECISION UNCONTROLLED DOCUMENT

425 N. GARY AVE.  
CAROL STREAM, IL 60188-4900  
PHONE: +1.800.278.5666  
FAX: +1.630.315.2152  
WEB: WWW.LUMEX.COM  
MEMBER OF ITW PHOTONICS GROUP

T-3mm (T-1) 585nm YELLOW LED, YELLOW DIFFUSED LENS, TAPE AND REEL, 1.5k PER REEL.

\*\*THE SPECIFICATIONS MAY CHANGE AT ANY TIME WITHOUT NOTICE DUE TO NEW MATERIALS OR PRODUCT IMPROVEMENT.\*\*

CONFIDENTIAL INFORMATION  
THE INFORMATION CONTAINED IN THIS DOCUMENT IS THE PROPERTY OF LUMEX INC. EXCEPT AS SPECIFICALLY AUTHORIZED IN WRITING BY LUMEX INC., THE HOLDER OF THIS DOCUMENT SHALL KEEP ALL INFORMATION CONTAINED HEREIN CONFIDENTIAL AND SHALL PROTECT SAME IN WHOLE OR IN PART FROM DISCLOSURE AND DISSEMINATION TO ALL THIRD PARTIES.

|        |           |           |    |
|--------|-----------|-----------|----|
| DATE:  | 07.08.13  | DRAWN BY: | AB |
| PAGE:  | 1 OF 1    | CHKD BY:  | KF |
| SCALE: | NTS       | APRVD BY: | KF |
| UNIT:  | mm [INCH] |           | Ⓟ  |

## X-ON Electronics

Largest Supplier of Electrical and Electronic Components

*Click to view similar products for [Standard LEDs - Through Hole category](#):*

*Click to view products by [Lumex manufacturer](#):*

Other Similar products are found below :

[LTL-10254W](#) [LTL-1214A](#) [LTL-2231AT](#) [LTL-3251A](#) [LTL-4262N](#) [LTL-433P](#) [LTL-5234](#) [LTL87HTBK](#) [LTL-87HD4B](#) [HLMP-EL30-PS0DD](#) [1L0532V23G0TD001](#) [NSPW500CS](#) [NTE30036](#) [NTE30044](#) [NTE30059](#) [NTE3020](#) [LD CQDP-1U3U-W5-1-K](#) [LP379PPG1C0G0300001](#) [SLR-342MC3F](#) [SLX-LX3044GD](#) [SLX-LX3044ID](#) [SLX-LX3044YD](#) [1.90690.3330000](#) [SSS-LX4673ID-410B](#) [1L0532Y24I0TD001](#) [264-7SYGD/S530-E2](#) [HLMP-1301-G00FG](#) [HLMP1385](#) [LTL-10224W](#) [LTL-1224A](#) [LTL-1234A](#) [LTL-2251AT](#) [LTL-403HR](#) [LTL-4222](#) [LU7-E-B](#) [4380H1](#) [HLMP-3962-F0002](#) [HLMP-GG15-R0000](#) [323-2SURD/S530-A3](#) [L53SRC/E-Z](#) [L-7679C1ZGC](#) [4302T1-5V](#) [4306D23](#) [4363D1/5](#) [WP1503SRC/J4](#) [WP153GDT](#) [WP153YDT](#) [WP1543SGC](#) [WP1543SURC](#) [WP53MGD](#)