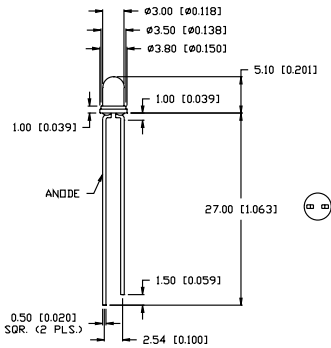


SSL-LX305D4 Series

T-3mm Dual Flange



FEATURES / OPTIONS

- ▶ State-of-the-Art, High Brightness Chip Technology
- ▶ Choice of Colors and Lens Finishes
- ▶ Lead Frame / Lens Casting Reliability
- ▶ Easy-to-Solder Leads, Tin Finish
- ▶ Available Bulk or on Tape and Reel
- ▶ Lead Trimming and Forming Available
- ▶ Custom Shapes, Easily Tooled, Low Minimum
- ▶ Blinking LED
- ▶ With Internal Resistor for 5V and 12V Operation

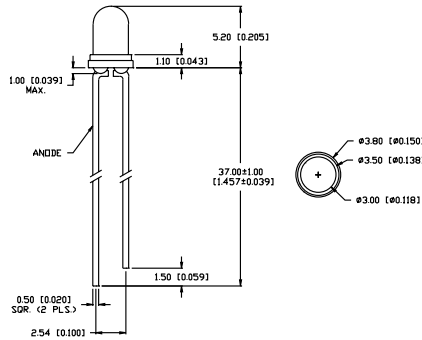
APPLICATIONS / USES

- ▶ Board or Panel Indication or Illumination
- ▶ Backlighting of Overlays and Graphics
- ▶ Annunciator and Control Panels
- ▶ Keyboards and Switches
- ▶ Telecom Switches and Central Station Equipment
- ▶ Signs, Warning Lights, Displays

Lumex Part Number	Die Material	Emitted Color	Peak (nm)	Lens	Operating Current (mA)	Operating TYP. Vf (V)	Brightness TYP. Mcd	@ mA	View Angle° 2θ
HIGH BRIGHTNESS									
SSL-LX305D4SID	AllInGaP	Super High Intensity Red	636	Red Diffused	5-25	2	120	20	60
SSL-LX305D4SOD	AllInGaP	Super Orange	610	Orange Diffused	5-25	2	80	20	60
SSL-LX305D4SUGD	AllInGaP	Super Ultra Green	574	Green Diffused	5-25	2.2	60	20	60
SSL-LX305D4SYD	AllInGaP	Super Yellow	590	Yellow Diffused	5-25	2	60	20	60
SSL-LX305D4USBD	InGaN/SiC	Ultra Super Blue	470	Blue Diffused	5-25	3.5	60	20	60
STANDARD BRIGHTNESS									
SSL-LX305D4GD	GaP	Green	565	Green Diffused	5-25	2.2	15	20	60
SSL-LX305D4ID	GaAsP	High Intensity Red	635	Red Diffused	5-25	2	25	20	60
SSL-LX305D4YD	GaAsP	Yellow	585	Yellow Diffused	5-25	2.1	15	20	60

SSL-LX305D8 Series

T-3mm Dual Flange, Long Leads



FEATURES / OPTIONS

- ▶ State-of-the-Art, High Brightness Chip Technology
- ▶ Choice of Colors and Lens Finishes
- ▶ Lead Frame / Lens Casting Reliability
- ▶ Easy-to-Solder Leads, Tin Finish
- ▶ Available Bulk or on Tape and Reel
- ▶ Lead Trimming and Forming Available
- ▶ Custom Shapes, Easily Tooled, Low Minimum
- ▶ Blinking LED
- ▶ With Internal Resistor for 5V and 12V Operation

APPLICATIONS / USES

- ▶ Board or Panel Indication or Illumination
- ▶ Backlighting of Overlays and Graphics
- ▶ Annunciator and Control Panels
- ▶ Keyboards and Switches
- ▶ Telecom Switches and Central Station Equipment
- ▶ Signs, Warning Lights, Displays

Lumex Part Number	Die Material	Emitted Color	Peak (nm)	Lens	Operating Current (mA)	Operating TYP. Vf (V)	Brightness TYP. Mcd	@ mA	View Angle° 2θ
HIGH BRIGHTNESS									
SSL-LX305D8SID	AllInGaP	Super High Intensity Red	636	Red Diffused	5-25	2	120	20	60
SSL-LX305D8SOD	AllInGaP	Super Orange	610	Orange Diffused	5-25	2	80	20	60
SSL-LX305D8SUGD	AllInGaP	Super Ultra Green	574	Green Diffused	5-25	2.2	60	20	60
SSL-LX305D8SYD	AllInGaP	Super Yellow	590	Yellow Diffused	5-25	2	60	20	60
SSL-LX305D8USBD	InGaN/SiC	Ultra Super Blue	470	Blue Diffused	5-25	3.5	60	20	60
STANDARD BRIGHTNESS									
SSL-LX305D8GD	GaP	Green	565	Green Diffused	5-25	2.2	15	20	60
SSL-LX305D8ID	GaAsP	High Intensity Red	635	Red Diffused	5-25	2	25	20	60
SSL-LX305D8SRD	GaAlAs	Super Red	660	Red Diffused	5-25	1.7	80	20	60
SSL-LX305D8YD	GaAsP	Yellow	585	Yellow Diffused	5-25	2.1	15	20	60



X-ON Electronics

Largest Supplier of Electrical and Electronic Components

Click to view similar products for [Standard LEDs - Through Hole category](#):

Click to view products by [Lumex manufacturer](#):

Other Similar products are found below :

[LTL-10254W](#) [LTL-1214A](#) [LTL-3251A](#) [LTL-4262N](#) [LTL-433P](#) [LTL-5234](#) [LTL87HTBK](#) [LTL-87HD4B](#) [HLMP-EL30-PS0DD](#)
[1L0532V23G0TD001](#) [NSPW500CS](#) [NTE30036](#) [NTE30044](#) [NTE30059](#) [NTE3020](#) [LD CQDP-1U3U-W5-1-K](#) [LP379PPG1COG0300001](#)
[SLR-342MC3F](#) [SLX-LX3044GD](#) [SLX-LX3044ID](#) [SLX-LX3044YD](#) [1.90690.3330000](#) [SSS-LX4673ID-410B](#) [1L0532Y24I0TD001](#) [264-](#)
[7SYGD/S530-E2](#) [HLMP-1301-G00FG](#) [HLMP1385](#) [LTL-10224W](#) [LTL-1224A](#) [LTL-1234A](#) [LTL-2251AT](#) [LTL-403HR](#) [LTL-4222](#) [LU7-E-B](#)
[4380H1](#) [HLMP-3962-F0002](#) [HLMP-GG15-R0000](#) [323-2SURD/S530-A3](#) [L53SRC/E-Z](#) [L-7679C1ZGC](#) [4302T1-5V](#) [4306D23](#) [4363D1/5](#)
[WP1503SRC/J4](#) [WP153GDT](#) [WP153YDT](#) [WP1543SGC](#) [WP1543SURC](#) [WP53MGD](#) [WP7113HD](#)