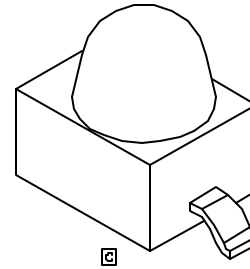
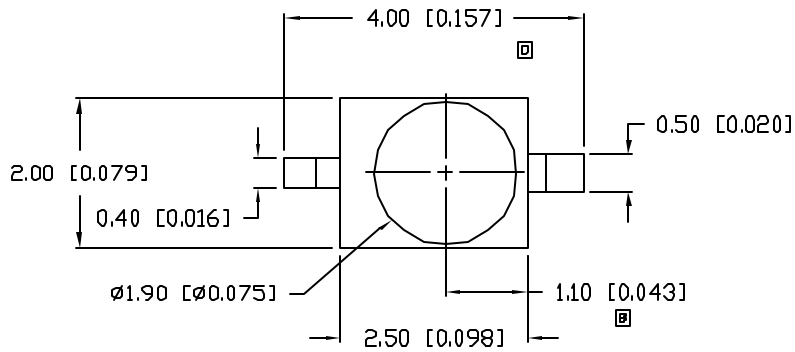
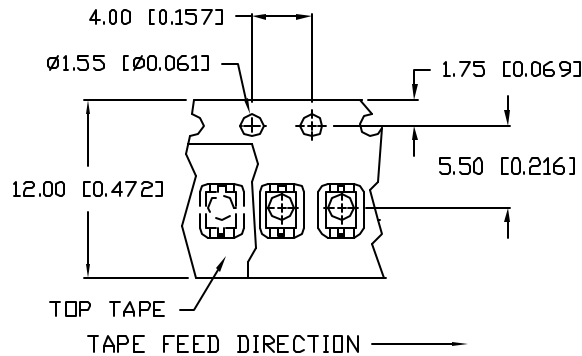
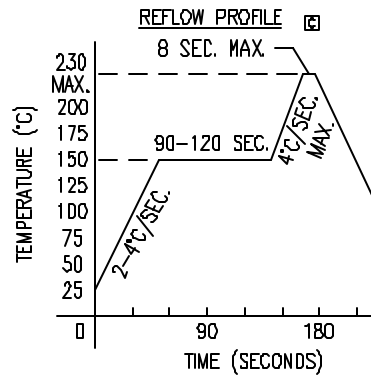
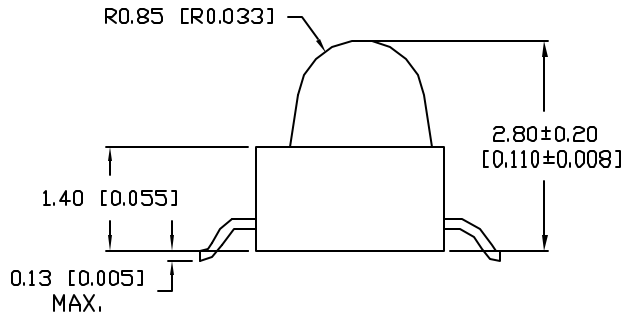


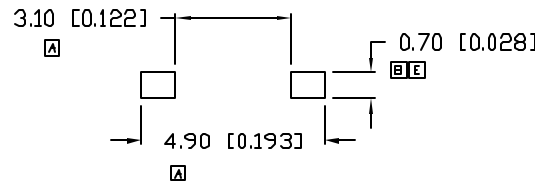
UNCONTROLLED DOCUMENT



ANODE CATHODE



RECOMMENDED SOLDER PAD LAYOUT



PART NUMBER  
SSL-LXA228GC-TR11

REV.  
F

| REV. | E.C.N. NUMBER AND REVISION COMMENTS | DATE     |
|------|-------------------------------------|----------|
| A    | CHG'D WHERE NOTED.                  | 11.29.94 |
| B    | E.C.N. #10550. & #10BRDR            | 10.21.99 |
| C    | E.C.N. #10695.                      | 1.5.01   |
| D    | E.C.N. #11122.                      | 5.5.04   |
| E    | E.C.N. #11146.                      | 7.8.04   |
| F    | E.C.N. #11148.                      | 11.14.06 |

ELECTRO-OPTICAL CHARACTERISTICS  $T_A=25^\circ\text{C}$   $I_f=20\text{mA}$

| PARAMETER          | MIN         | TYP | MAX | UNITS      | TEST COND            |
|--------------------|-------------|-----|-----|------------|----------------------|
| PEAK WAVELENGTH    |             | 565 |     | nm         |                      |
| FORWARD VOLTAGE    |             | 2.2 | 2.6 | $V_f$      |                      |
| REVERSE VOLTAGE    | 5.0         |     |     | $V_r$      | $I_f=100\mu\text{A}$ |
| AXIAL INTENSITY    |             | 30  |     | mcd        | $I_f=20\text{mA}$    |
| VIEWING ANGLE      |             | 25  |     | $2x$ theta |                      |
| EMITTED COLOR:     | GREEN       |     |     |            |                      |
| EPOXY LENS FINISH: | WATER CLEAR |     |     |            |                      |

LIMITS OF SAFE OPERATION AT  $25^\circ\text{C}$

| PARAMETER                      | MAX        | UNITS                |
|--------------------------------|------------|----------------------|
| PEAK FORWARD CURRENT*          | 150        | mA                   |
| STEADY CURRENT                 | 25         | mA                   |
| POWER DISSIPATION              | 100        | mW                   |
| DERATE FROM $25^\circ\text{C}$ | -1.2       | mW/ $^\circ\text{C}$ |
| OPERATING TEMP.                | -30 TO +85 | $^\circ\text{C}$     |
| STORAGE TEMP.                  | -40 TO +85 | $^\circ\text{C}$     |

\*  $t < 10\mu\text{s}$

NOTES:

- 1,000 PIECES PER REEL.
- THE CATHODE IS ORIENTED TOWARDS THE TAPE SPROCKET HOLE.



\*UNLESS OTHERWISE SPECIFIED TOLERANCES PER DECIMAL PRECISION ARE: X=±1 (±0.039), XX=±0.5 (±0.020), XXX=±0.25 (±0.010), XXXX=±0.127 (±0.005). LEAD SIZE=±0.05 (0.002), LEAD LENGTH=±0.75 (±0.030), MIN= +DECIMAL PRECISION -0.00, MAX.= +0.00 -DECIMAL PRECISION

REV.  
F

PART NUMBER  
SSL-LXA228GC-TR11

**CONFIDENTIAL INFORMATION**  
THE INFORMATION CONTAINED IN THIS DOCUMENT IS THE PROPERTY OF LUMEX INC. EXCEPT AS SPECIFICALLY AUTHORIZED IN WRITING BY LUMEX INC., THE HOLDER OF THIS DOCUMENT SHALL KEEP ALL INFORMATION CONTAINED HEREIN CONFIDENTIAL AND SHALL PROTECT SAME IN WHOLE OR IN PART FROM DISCLOSURE AND DISSEMINATION TO ALL THIRD PARTIES.



290 E. HELEN ROAD  
PALATINE, IL 60067-6976  
PHONE: +1.847.359.2790  
US WEB: www.lumex.com  
TW WEB: www.lumex.com.tw

AXIAL LED, GULL WING LEADS,  
565nm GREEN LED, WATER CLEAR LENS, TAPE AND REEL.

**RELIABILITY NOTE**  
OUR MANY YEARS OF EXPERIENCE DATA ACCUMULATION INDICATE THAT SOLDER HEAT IS A MAJOR CAUSE OF EARLY AND FUTURE FAILURE. PLEASE PAY ATTENTION TO YOUR SOLDERING PROCESS.

DRAWN BY: JC  
CHECKED BY:  
APPROVED BY:  
DATE: 11.14.06  
PAGE: 1 OF 1  
SCALE: N/A

## X-ON Electronics

Largest Supplier of Electrical and Electronic Components

*Click to view similar products for [Standard LEDs - SMD category](#):*

*Click to view products by [Lumex manufacturer](#):*

Other Similar products are found below :

[LTST-C190KYKT](#) [LTST-C19GD2WT](#) [LTST-N683GBEW](#) [LTW-170ZDC](#) [LTW-M140SZS40](#) [598-8110-100F](#) [598-8170-100F](#) [598-8610-202F](#) [67-22VRVGC/TR8](#) [AAAF5060QBFSEEZGS](#) [HLMA-QG00-S0021](#) [HLMP-6305-L0011](#) [ALMD-LB36-SV002](#) [APT1608QGW](#) [15-21UYC/S530-A3/TR8](#) [EAST2012YA0](#) [EASV1803BA0](#) [LG M67K-H1J2-24-0-2-R18-Z](#) [LS A676-P2S1-1](#) [SML310BATT86](#) [SML-LX0606SISUGC/A](#) [SML-LXL1307SRC-TR](#) [SML-LXR851SIUPGUBC](#) [LT1ED53A](#) [FAT801-S](#) [AM27ZGC03](#) [APB3025SGNC](#) [APFA3010SURKCGKQBDC](#) [APHK1608VGCA](#) [APT2012QGW](#) [LTST-C250KGKT](#) [LTW-010DCG](#) [LTW-020ZDCG](#) [LTW-21TS5](#) [LTW-220DS5](#) [LY L29K-H1J2-26](#) [UYGT801-S](#) [42-21UYC/S530-A3/TR8](#) [LO T67F-V1AB-24-1](#) [YGFR411-H](#) [598-8330-117F](#) [SML-LX0402IC-TR](#) [CMDA20AYAA7D1S](#) [CMDA16AYDR7A1X](#) [598-8040-100F](#) [598-8070-100F](#) [598-8140-100F](#) [598-8610-200F](#) [EAST2012GA0](#) [EAPL3527GA5](#)