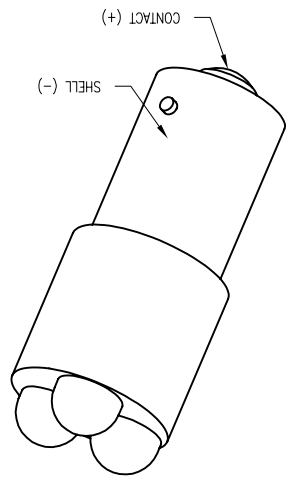
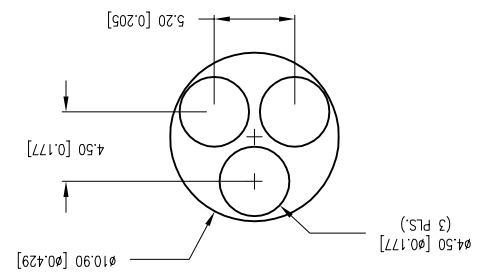
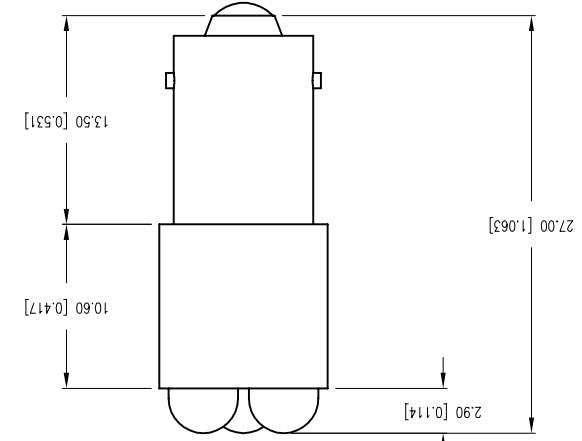


THREE LAMP POLYLED WITH BA9S BASE, 626nm SUPER RED CHIPS, WATER CLEAR LENS.
 THE SPECIFICATIONS MAY CHANGE AT ANY TIME WITHOUT NOTICE DUE TO NEW MATERIALS OR PRODUCT IMPROVEMENT.
 CONFIDENTIAL INFORMATION
 THE INFORMATION CONTAINED IN THIS DOCUMENT IS THE PROPERTY OF LUMEX INC. EXCEPT AS SPECIFICALLY AUTHORIZED IN WRITING BY LUMEX INC., THE HOLDER OF THIS DOCUMENT SHALL KEEP ALL INFORMATION CONTAINED HEREIN CONFIDENTIAL AND SHALL PROTECT SAME IN WHOLE OR IN PART FROM DISCLOSURE AND DISSEMINATION TO ALL THIRD PARTIES.

DATE: 05.22.01	UNIT: mm [INCH]
DRAWN BY: BC	SCALE: NTS
CHKD BY: --	PAGE: 1 OF 1
APRVD BY: --	

UNLESS OTHERWISE SPECIFIED TOLERANCES PER DECIMAL PRECISION ARE: X=±1 (±0.039), XX=±0.5 (±0.020), XXX=±0.25 (±0.010), XXXX=±0.127 (±0.005), LEAD SIZE=±0.05 (±0.002), LEAD LENGTH=±0.75 (±0.030), MIN=-0.00 (DECIMAL PRECISION), MAX=+0.00 (DECIMAL PRECISION)

UNCONTROLLED DOCUMENT



PARAMETER		MIN	TYP	MAX	UNITS	TEST COND
ELECTRO-OPTICAL CHARACTERISTICS TA=25°C If=20mA						
PEAK WAVELENGTH		626			nm	
FORWARD VOLTAGE	Vf	12				
REVERSE VOLTAGE	Vr	5.0				
AXIAL INTENSITY		12800			med	If=20mA
VIEWING ANGLE		30			2x theta	
EMITTED COLOR:	RED					
EPOXY LENS FINISH: WATER CLEAR						
LIMITS OF SAFE OPERATION AT 25°C PER DIE						
PARAMETER	MAX	UNITS				
PEAK FORWARD CURRENT*	120	mA				
STEADY CURRENT	30	mA				
POWER DISSIPATION	105	mW				
DERATE FROM 25°C	-1.2	mW/°C				
OPERATING, STORAGE TEMP.	-30 TO +70	°C				

PART NUMBER	SSP-3MB96U12G	REV.	A
DATE	01.28.03	E.C.N. NUMBER AND REVISION COMMENTS	
REV.		E.C.N. #10950.	A

UNCONTROLLED DOCUMENT

X-ON Electronics

Largest Supplier of Electrical and Electronic Components

Click to view similar products for [LED Replacement Lamps - Based LEDs](#) category:

Click to view products by [Lumex](#) manufacturer:

Other Similar products are found below :

[5855325F](#) [586-0001-801F](#) [586-0001-805F](#) [586-1A01-101F](#) [LAPD-1A](#) [LAPD-1R](#) [LAPD-2R](#) [LAPD-6W](#) [LE-4MF-12R](#) [SSP-1156B153S12](#)
[SSP-1157B156U12](#) [SSP-13MB152UP12G](#) [SSP-3MB93S12G](#) [SSP-4SE103S12G](#) [SSP-4SE106U12G](#) [SSP-D29E10SUGC-12V](#) [558521-1](#) [560-0101F](#) [560-0103F](#) [LAPD-1W](#) [LAPD-6R](#) [LE-4MF-12Y](#) [585-1115F](#) [560-0104F](#) [585-1113](#) [585-1113F](#) [586-2706-220F](#) [586-6403-206F](#)
[MGRG812D](#) [585-1223F](#) [SSP-D29E10SIC-12V](#) [SSP-4SE102UP12G](#) [SSP-3MB96U12G](#) [SSP-24MDB156U12G](#) [SSP-24MDB152UP12G](#) [SSP-24MB153S12G](#) [SSP-1156B157U12](#) [A22NZ-L-AB](#) [586-1A02-101F](#) [585-1413F](#) [SLL-05EY](#) [A22NZ-L-AE](#) [A22NZ-L-OC](#) [586-1A05-101F](#)
[560-0203F](#) [586-2206-205F](#) [SSP-LXS1826U16A](#) [1835LS3-W-CW](#) [A22NZ-L-GB](#) [MS200-NFW2](#)