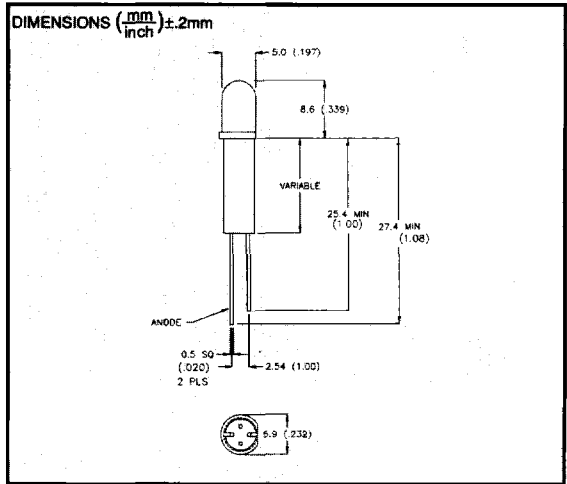


**SSS-LX5093XX SERIES T-5mm LAMP WITH ATTACHED SPACER**

LUMEX PART NBR	EMITTED COLOR		EPOXY	BRIGHTNESS		VIEW		Vf@20mA	
	PEAK(nm)	LENS COLOR		TYP.(mcd)	I(mA)	ANGLE	TYP.	MAX	
SSS-LX5093ID-	RED	635	RED DIFF.	20	20	80	2.0	2.8	
SSS-LX5093IT-	RED	635	RED TRANSP.	20	25	20	2.0	2.8	
SSS-LX5093SRD-	RED	660	RED DIFF.	20	80	80	1.7	2.8	
SSS-LX5093SRT-	RED	660	RED TRANSP.	20	25	25	1.7	2.8	
SSS-LX5093GD-	GREEN	565	GREEN DIFF.	20	80	80	2.1	2.8	
SSS-LX5093GT-	GREEN	665	GREEN TRANSP.	20	25	25	2.1	2.8	
SSS-LX5093YD-	YELLOW	585	YELLOW DIFF.	20	8	8	2.1	2.8	
SSS-LX5093YT-	YELLOW	585	YELLOW TRANSP.	20	25	25	2.1	2.8	
<b>HI-COLOR OPTIONS</b>									
SSS-LX5093IGW-	RED/GREEN	635-565	WHITE DIFF.	20/20	20/20	80	2.0	2.8	
<b>LOW CURRENT OPTIONS (OTHER COLORS AVAILABLE)</b>									
SSS-LX5093LID-	RED	635	RED DIFF.	2	2	80	1.9	2.7	

ADD THREE DIGITS FOR 100"=1.00" SPACER (.005" INCREMENTS)

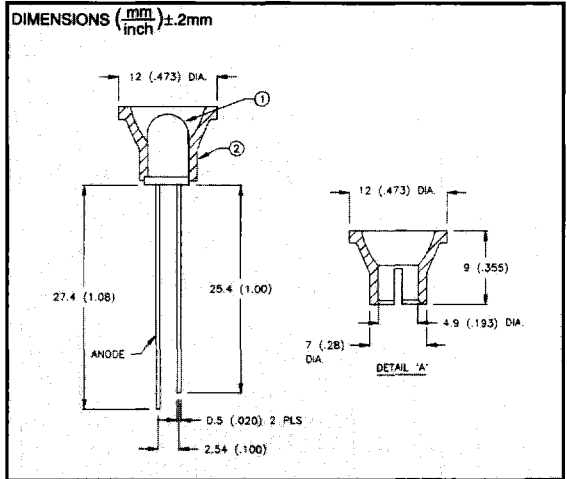
See pages 8-14 for Max. operating limits and operating curves



**SSI-LXR5093XX SERIES T-4 LEDS WITH EXTERNAL REFLECTORS**

LUMEX PART NBR	EMITTED COLOR		EPOXY	BRIGHTNESS		VIEW		Vf@20mA	
	PEAK(nm)	LENS COLOR		TYP.(mcd)	I(mA)	ANGLE	TYP.	MAX	
SSI-LXR5093XX	RED	635	RED DIFF.	30	20	80	2.0	2.8	
SSI-LXR5093SRD	RED	660	RED DIFF.	100	20	80	1.7	2.2	
SSI-LXR5093GD	GREEN	565	GREEN DIFF.	30	20	80	2.1	2.8	
SSI-LXR5093YD	YELLOW	585	YELLOW DIFF.	30	20	80	2.1	2.8	
<b>BI-COLOR OPTIONS</b>									
SSI-LXR5093HW	RED/GREEN	695-565	WHITE DIFF.	20/20	20/20	80	2.0	2.8	

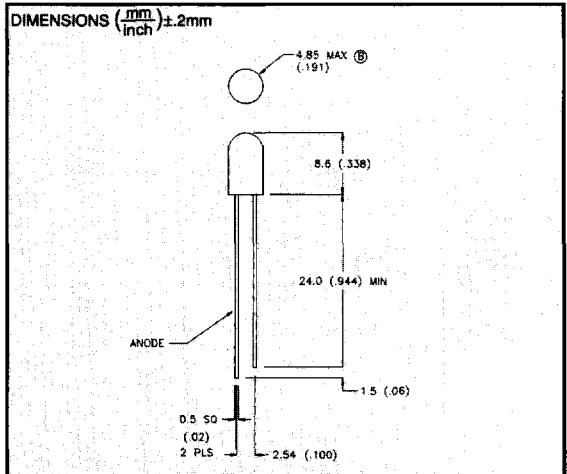
See pages 8-14 for Max. operating limits and operating curves



**SSL-LX509F3XX SERIES T-5 FLANGELESS LED LAMPS**

LUMEX PART NBR	EMITTED COLOR		EPOXY	BRIGHTNESS		VIEW		Vf@20mA	
	PEAK(nm)	LENS COLOR		TYP.(mcd)	I(mA)	ANGLE	TYP.	MAX	
SSL-LX509F3ID	RED	635	RED DIFF.	20	20	80	2.0	2.8	
SSL-LX509F3IT	RED	635	RED TRANSP.	120	20	25	2.0	2.8	
SSL-LX509F3SRD	RED	660	RED DIFF.	250	20	80	1.7	2.2	
SSL-LX509F3SRT	RED	660	RED TRANSP.	400	20	25	1.7	2.2	
SSL-LX509F3GD	GREEN	565	GREEN DIFF.	20	20	80	2.1	2.8	
SSL-LX509F3GT	GREEN	565	GREEN TRANSP.	100	20	25	2.1	2.8	
SSL-LX509F3YD	YELLOW	585	YELLOW DIFF.	20	20	80	2.1	2.8	
SSL-LX509F3YT	YELLOW	585	YELLOW TRANSP.	100	20	25	2.1	2.8	
<b>BI-COLOR OPTIONS</b>									
SSL-LX509F3IGW	RED/GREEN	635/565	WHITE DIFF.	12/12	20/20	80	2.0	2.8	
<b>LOW CURRENT OPTIONS (OTHER COLORS AVAILABLE)</b>									
SSL-LX509F3LID	RED	635	RED DIFF.	2.0	2	80	1.9	2.7	

See pages 8 -14 for Max. operating limits and operating curves



## X-ON Electronics

Largest Supplier of Electrical and Electronic Components

*Click to view similar products for [Standard LEDs - Through Hole category](#):*

*Click to view products by [Lumex manufacturer](#):*

Other Similar products are found below :

[LTL-10254W](#) [LTL-1214A](#) [LTL-3251A](#) [LTL-4262N](#) [LTL-433P](#) [LTL-5234](#) [LTL87HTBK](#) [LTL-87HD4B](#) [HLMP-EL30-PS0DD](#)  
[1L0532V23G0TD001](#) [NSPW500CS](#) [NTE30036](#) [NTE30044](#) [NTE30059](#) [NTE3020](#) [LD CQDP-1U3U-W5-1-K](#) [LP379PPG1COG0300001](#)  
[SLR-342MC3F](#) [SLX-LX3044GD](#) [SLX-LX3044ID](#) [SLX-LX3044YD](#) [1.90690.3330000](#) [SSS-LX4673ID-410B](#) [1L0532Y24I0TD001](#) [264-](#)  
[7SYGD/S530-E2](#) [HLMP-1301-G00FG](#) [HLMP1385](#) [LTL-10224W](#) [LTL-1224A](#) [LTL-1234A](#) [LTL-2251AT](#) [LTL-403HR](#) [LTL-4222](#) [LU7-E-B](#)  
[4380H1](#) [HLMP-3962-F0002](#) [HLMP-GG15-R0000](#) [323-2SURD/S530-A3](#) [L53SRC/E-Z](#) [L-7679C1ZGC](#) [4302T1-5V](#) [4306D23](#) [4363D1/5](#)  
[WP1503SRC/J4](#) [WP153GDT](#) [WP153YDT](#) [WP1543SGC](#) [WP1543SURC](#) [WP53MGD](#) [WP7113HD](#)