



**SERIES W12M**  
**SERIES WS12M**  
**SERIES WG12M**  
**- PUSHBUTTON SWITCHES**

# Series W12M

## KEY FEATURES

- Size: 12mm
- Momentary / Maintained Action
- Stainless Steel/ Aluminum Housing
- Circuitry: SPST
- Operation temperature: -40 ~ 75°C
- Gold / Silver Plated Contacts
- IP67 Water Proof

## APPLICATIONS

- Communications
- Hand-held Control Modules
- Security Equipment
- Food Processing
- Industrial Machinery
- Transportation: Mass-transit, Lift Truck

## ORDERING INFORMATION

W  12M -  -  -  -  -  -

Series:	Switch Function:	Bezel Material / Color :	Button Material / Color :	Illumination Type :	LED Color:	Voltage Resistor:
<b>Blank</b> Gold Plated	<b>A</b> Momentary, Wireleads	<b>1</b> Stainless, Natural	<b>1</b> Stainless, Natural	<b>0</b> Ring Illumination, Flat Button *	<b>N</b> None	If Blank***
	<b>B</b> Maintained, Wireleads	<b>2</b> Zinc Alloy, Velour Chrome Plated			<b>G</b> Green	<b>05</b> 5V Forward
	<b>E</b> Momentary, Solder Terminal	<b>K</b> Aluminum Alloy, Anodized Black			<b>R</b> Red	<b>12</b> 12V Forward****
	<b>F</b> Maintained, Solder Terminal	<b>R</b> Aluminum Alloy, Anodized Red			<b>A</b> Amber	<b>24</b> 24V Forward****
	<b>G</b> Momentary, PC Terminal	<b>S</b> Aluminum Alloy, Anodized Silver			<b>B</b> Blue	
	<b>H</b> Maintained, PC Terminal				<b>W</b> White	
<b>S</b> Silver Plated	<b>A</b> Momentary, Wireleads			<b>H</b> Ring Illumination, Raised Button**	<b>Y</b> Yellow	
	<b>B</b> Maintained, Wireleads				<b>RB</b> Red / Blue	
	<b>1</b> Momentary, Solder Terminal				<b>RG</b> Red / Green	
	<b>2</b> Maintained, Solder Terminal					
	<b>5</b> Momentary, PC Terminal					
	<b>H</b> Maintained, PC Terminal					
<b>G</b> Silver Plated/2A	<b>A</b> Momentary, Wireleads					
	<b>B</b> Maintained, Wireleads					
	<b>1</b> Momentary, Solder Terminal					
	<b>2</b> Maintained, Solder Terminal					

\*\*\*Current limiting resistor is required to limit LED forward current to 20mA.(not included)  
 \*\*\*\*12 and 24V resistors are available with wirelead versions only.

# SERIES W12M - PUSHBUTTON SWITCHES

## MECHANICAL CHARACTERISTICS

- Switch Circuitry:** SPST-NO-DB ( Form X )
- Switch Action:** Momentary / Maintained
- Operating Force (Nominal):** 3N [306g]
- Button Travel (Nominal):** 0.099inches [2.5mm]
- Contact Bounce:** 1ms Nominal
- Panel Thickness:** 0.020" - 0.236" [0.5 - 6.0mm]
- Nut Torque Force:** Max. 5.2 lb-in [6 kgf-cm]
- Current Ratings (Momentary):**
  - 12M Series:** 250mA@12VDC, 100k Cycles; 150mA@28VDC, 150k Cycles; 100mA@48VDC, 100k Cycles; 10mA@12VDC, 1000k Cycles
  - S12M Series:** 10mA@12VDC, 200k Cycles
  - G12M Series:** 2A@24VDC, 40k Cycles; 1A@250VAC, 40k Cycles
- Current Ratings (Maintained):**
  - 12M Series:** 50,000 Cycles Nominal
  - S12M Series:** 20,000 Cycles Nominal
  - G12M Series:** 2A@24VDC, 20k Cycles; 1A@250VAC, 20k Cycles

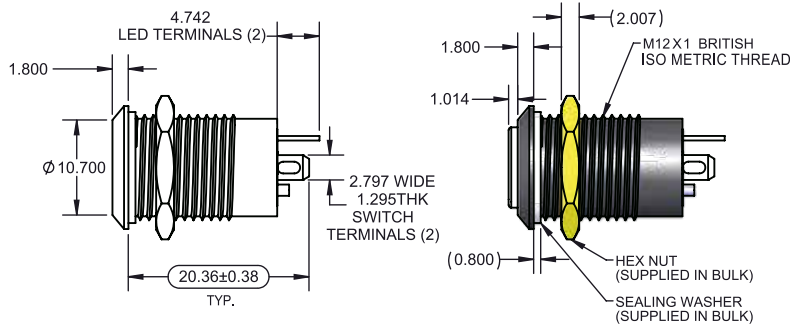
## ENVIROMENTAL SPECIFICATIONS

- Operating Temperature:**
  - Non-illumination type:** -40°F to +185°F (-40°C to +85°C)
  - Illumination type:** -13°F to +185°F (-25°C to +85°C)
- Water Proof:** IP67 (Front Panel)

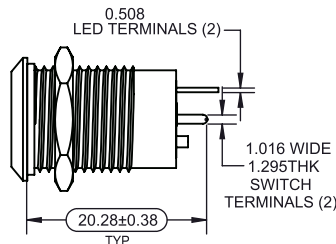
## ELECTRICAL SPECIFICATIONS

- Dielectric Strength:** 1,000VAC
- Insulation Resistance:** 1G Ω
- Contacts Resistance:** Max. 50 mΩ (Initial)

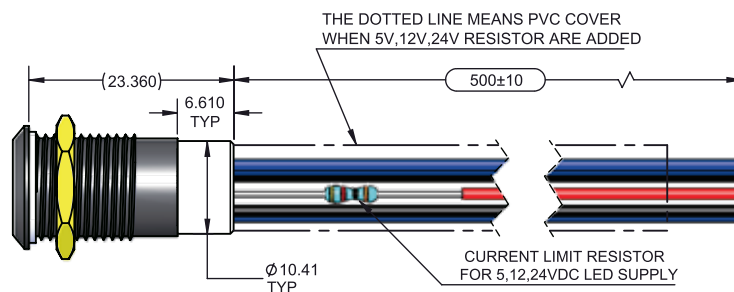
### Solder Terminal



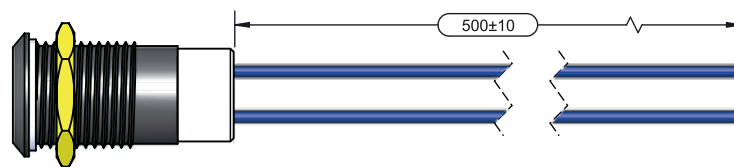
### P.C. Terminal



### Illumination



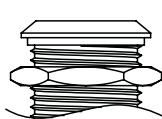
### Non-Illumination



### Maintained Type



### Momentary Type



RECOMMENDED PANEL CUT-OUT	
PANEL THICKNESS	0.040~0.236" [1.0~6.0 mm]
NUT TORQUE FORCE	Max. 5.2 lb-in [ 6 kgf-cm ]

LED CODE	LED COLOR		CIRCUITRY	Vf (VDC)		If (mA)
	COLOR 1	COLOR 2		COLOR 1	COLOR 2	
R	RED	-		1.6~2.0	-	20
A	AMBER	-		1.6~2.0	-	20
Y	YELLOW	-		1.6~2.0	-	20
G	GREEN	-		2.8~3.4	-	20
B	BLUE	-		2.8~3.4	-	20
W	WHITE	-		2.8~3.4	-	20
RB	RED	BLUE		1.6~2.0	2.8~3.4	20
RG	RED	GREEN		1.6~2.0	2.8~3.4	20

## X-ON Electronics

Largest Supplier of Electrical and Electronic Components

*Click to view similar products for [Pushbutton Switches](#) category:*

*Click to view products by [Lumex Switch](#) manufacturer:*

Other Similar products are found below :

[8971K1133](#) [LW2L-M1C20M-A](#) [01-153.025](#) [M22-D-R-GB0/K11](#) [67021K512](#) [701PB580](#) [7199K101](#) [810K12910](#) [810KSV30B](#) [FLT 2U EE](#)  
[01A](#) [MML21EA2ADK](#) [MML21KA3ABK](#) [MML23KW3AA01W](#) [8418K2](#) [8442K3](#) [8450K1](#) [860K11911T01A](#) [861901](#) [861K11911T01A07](#)  
[861K13810T00A14](#) [861K13911](#) [8646AB6X718UL](#) [9533CD4+U574+U4922](#) [99-450.837](#) [99-453.837](#) [A2PMA1X03EC56](#) [A3A-7310](#) [A3A-](#)  
[7340](#) [12037A2ULCSA](#) [1203A2UL](#) [ABGW410-R](#) [1211390004](#) [ABN400-R](#) [121382](#) [1213C3](#) [HE3B-M2](#) [1211500044](#) [121194](#) [1212MRA](#)  
[1232A6NF](#) [121489](#) [1223A2ULCSA](#) [D5P-MT4](#) [13435AG](#) [13445AD29GX768](#) [AG23-L2](#) [AH165-2SGLG1TE3](#) [AH165-TGFY22](#) [AH165-](#)  
[TGL5Y11E3](#) [AH165-TGLR11AA3](#)