

## SERIES 48 - 12MM MINIATURE SEALED ELECTRO-MECHANICAL

This rugged multi-option sealed pushbutton series offers the utmost in choices of mounting styles, colors, terminations, bezels, lighting and momentary or alternate-action switching. The Series 48 offers all these options in one compact package size.

### APPLICATIONS:

- Office equipment
- Medical equipment
- Industrial machinery
- Outdoor controls
- Mass transportation
- Food processing equipment



### KEY FEATURES:

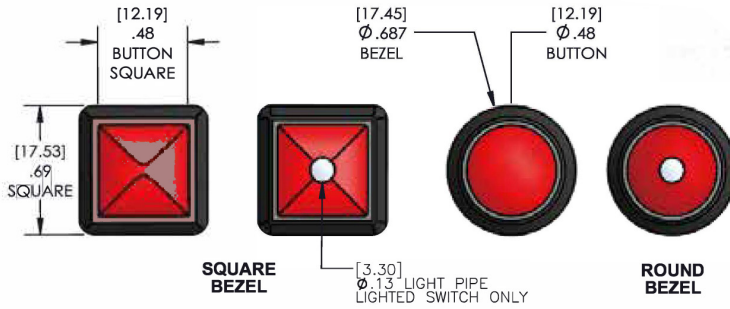
- Momentary or Maintained action
- Gold contacts
- Many button colors
- Choice of LED colors (or non-lighted versions)
- Solder, PC terminals or Wireleads
- Panel sealed to IP67
- Plastic bezel/ housing
- Raised button
- Snap action in SA12 series

### ORDERING INFORMATION:

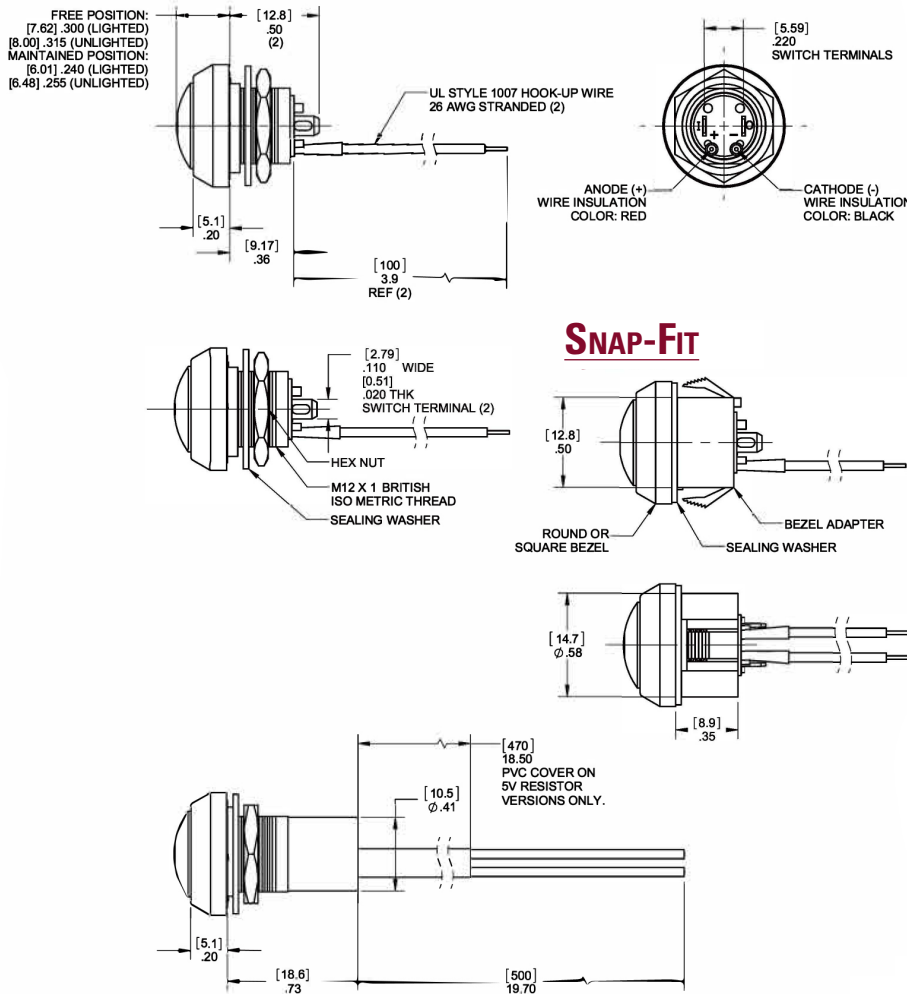
Series:	Module Type:	Switch Function:	Switch Termination:	Bezel Type:	Led:	Button Color:	Mounting Type:	Voltage Resistor: If Blank*
48 Gold Contact IP67	1	Momentary	Solder	RB Round, Black	N None	RD Red	B Bushing	05 5V Forward
	2	Maintained	Solder	SB Square, Black	R Red	GR Green	S Snap-fit	12 12V Forward
	5	Momentary	PC		G Green	BK Black		24 24V Forward
	6	Maintained	PC		Y Yellow	BL Blue		
	A	Momentary	Wire Leads		A Amber	YL Yellow		
	B	Maintained	Wire Leads		B Blue	OR Orange		
					W White	WH White		

\* Current limiting resistor is required to limit LED forward current to 20mA (not included).

PRODUCT DRAWINGS



48 SERIES



SNAP-FIT

MECHANICAL CHARACTERISTICS:

SPST-NO-DB (FORM X)

Button Travel (Nom): [2.3] .09

Operating Force (Nom): [3N] 306g

Contact Bounce (Nom): 1 ms

Panel Thickness: Bushing Mounting: [0.5-3.0] .02-.12

Snap-Fit Mounting: [1.3-3.0] .05-.12

Nut Torque (Max): [6 kgf-cm] 5.2 lb-in

Hardware: Bushing Mounting: Bulk packaged sealing washer and hex nut are included.

ENVIRONMENTAL SPECIFICATIONS

Actuator Ingress Protection: IP67

Operating Temperature: [-40°C to +85°C] -40°F to + 185°F

ELECTRICAL SPECIFICATIONS

Current Rating (resistive):

- 48 (Momentary)
  - 250mA@ 12VDC, 100K Cycles
  - 150mA@ 28VDC, 150K Cycles
  - 100mA @ 48VDC, 100K Cycles
  - 10mA@ 12VDC, 1 Million Cycles
- 48 (Maintained)
  - 50K Cycles Nominal

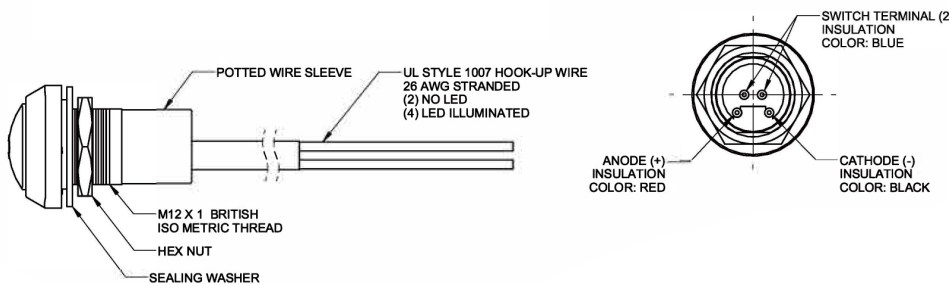
Dielectric Strength: 1,000 VAC

Insulation Resistance: 1G Ohm

Contact Resistance: 50m Ohms

Wire Leads: UL STYLE 1007 26 AWG, STRANDED

WIRELEADS



## X-ON Electronics

Largest Supplier of Electrical and Electronic Components

*Click to view similar products for [Pushbutton Switches](#) category:*

*Click to view products by [Lumex Switch](#) manufacturer:*

Other Similar products are found below :

[8971K1133](#) [LW2L-M1C20M-A](#) [01-153.025](#) [M22-D-R-GB0/K11](#) [67021K512](#) [701PB580](#) [7199K101](#) [810K12910](#) [810KSV30B](#) [FLT 2U EE](#)  
[01A](#) [MML21EA2ADK](#) [MML21KA3ABK](#) [MML23KW3AA01W](#) [8418K2](#) [8442K3](#) [8450K1](#) [860K11911T01A](#) [861901](#) [861K11911T01A07](#)  
[861K13810T00A14](#) [861K13911](#) [8646AB6X718UL](#) [9533CD4+U574+U4922](#) [99-450.837](#) [99-453.837](#) [A2PMA1X03EC56](#) [A3A-7310](#) [A3A-](#)  
[7340](#) [12037A2ULCSA](#) [1203A2UL](#) [ABGW410-R](#) [1211390004](#) [ABN400-R](#) [121382](#) [1213C3](#) [HE3B-M2](#) [1211500044](#) [121194](#) [1212MRA](#)  
[1232A6NF](#) [121489](#) [1223A2ULCSA](#) [D5P-MT4](#) [13435AG](#) [13445AD29GX768](#) [AG23-L2](#) [AH165-2SGLG1TE3](#) [AH165-TGFY22](#) [AH165-](#)  
[TGL5Y11E3](#) [AH165-TGLR11AA3](#)