

PUSHBUTTON SWITCHES

TW Switches

SERIES 49 MINIATURE SEALED ESD RESISTANT

This switch series is rugged, panel sealed, available with round or square bezels and LED lighted or non-lighted. Bushing mount or snap-in mounting available. Series 49 switches are ideal for demanding applications in harsh environments where water, moisture or dust are problematic.

APPLICATIONS:

- Industrial equipment control handles
- Dog training control modules
- Outdoor controls
- Medical equipment
- Beverage dispensing

KEY FEATURES:

- Normally open or closed circuitry
- Momentary action
- LED lighted or non-lighted
- .110 Quick Connect or Solder terminals available
- Gold contacts
- ESD 15KV minimum
- Panel sealed to IP67
- Long life – up to 1 million cycles
- Threaded or snap-in mounting



Actual Size

ORDERING INFORMATION:

Part Number	Body Style	Button Color	LED Color	Contacts	Terminals
49-111	Round bezel	Black	—	Normally Open	Solder
49-112	Round bezel	Red	—	Normally Open	Solder
49-113	Round bezel	Green	—	Normally Open	Solder
49-114	Round bezel	White	—	Normally Open	Solder
49-115	Round bezel	Yellow	—	Normally Open	Solder
49-116	Round bezel	Blue	—	Normally Open	Solder
49-117	Round bezel	Orange	—	Normally Open	Solder
49-411G	Illuminated round	Black	Green	Normally Open	Solder
49-411R	Illuminated round	Black	Red	Normally Open	Solder
49-412G	Illuminated round	Red	Green	Normally Open	Solder
49-412R	Illuminated round	Red	Red	Normally Open	Solder
49-413G	Illuminated round	Green	Green	Normally Open	Solder
49-413R	Illuminated round	Green	Red	Normally Open	Solder
49-9111	Snap-in round	Black	—	Normally Open	Solder
49-9112	Snap-in round	Red	—	Normally Open	Solder
49-9113	Snap-in round	Green	—	Normally Open	Solder
49-9114	Snap-in round	White	—	Normally Open	Solder
49-9115	Snap-in round	Yellow	—	Normally Open	Solder
49-9116	Snap-in round	Blue	—	Normally Open	Solder
49-9117	Snap-in round	Orange	—	Normally Open	Solder
49-611	Round bezel	Black	—	Normally Closed	Solder
49-612	Round bezel	Red	—	Normally Closed	Solder
49-613	Round bezel	Green	—	Normally Closed	Solder
49-131	Round bezel	Black	—	Normally Open	.110 QC
49-132	Round bezel	Red	—	Normally Open	.110 QC
49-133	Round bezel	Green	—	Normally Open	.110 QC

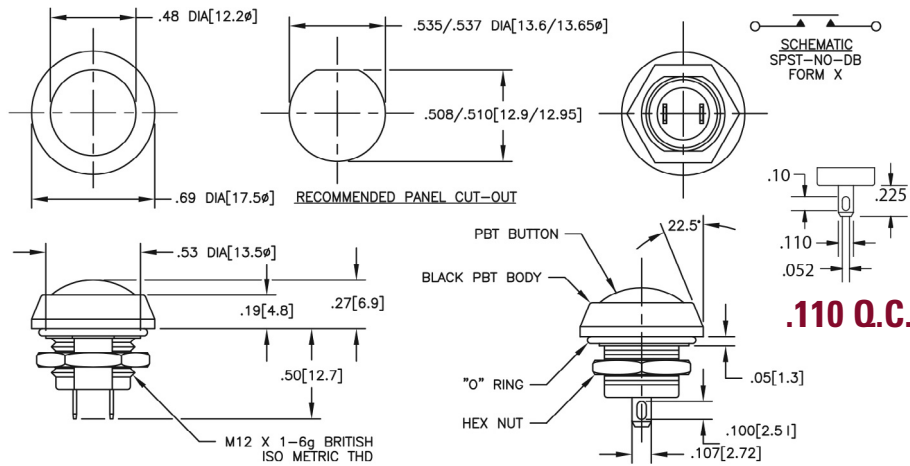
www.itwswitches.com

Contact an Authorized Distributor or Factory for Pricing

SERIES 49: MINIATURE SEALED ESD RESISTANT

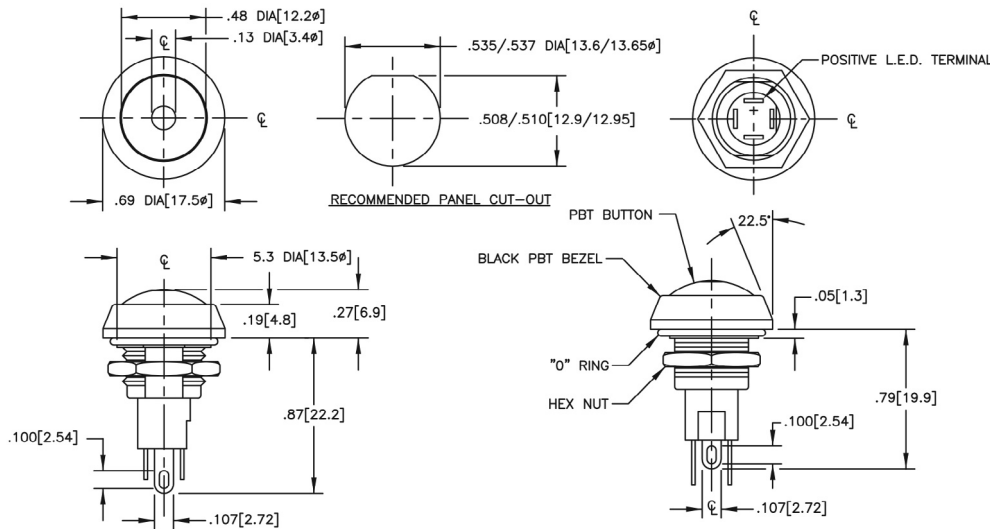
PUSHBUTTON SWITCHES

49-11X & 49-61X SERIES

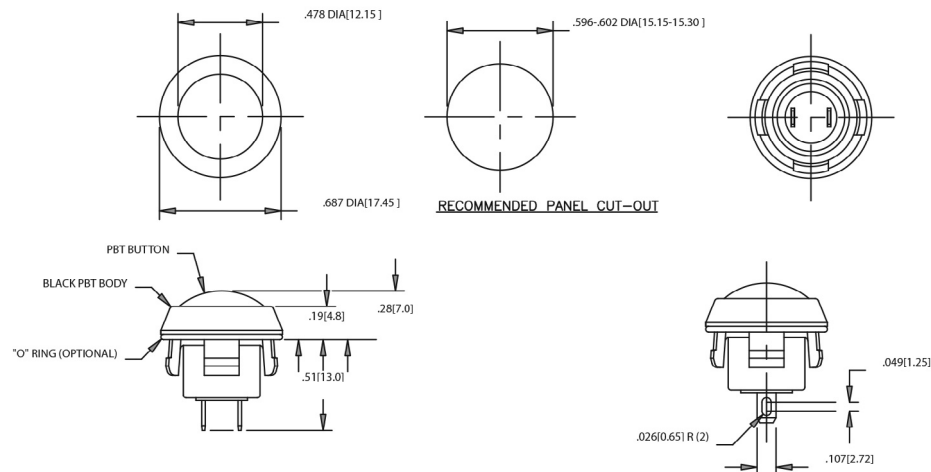


SOLDER

49-41X SERIES



49-91X SERIES



MECHANICAL / ELECTRICAL / ENVIRONMENTAL CHARACTERISTICS:

Circuit:
SPST-NO-DB or SPST-NC-DB

Travel (nominal):
0.09 inches / 2.3 mm

Life (nominal):
1,000,000 cycles (mechanical)
500,000 cycles (electrical)

Operating temperature:
-40°C to +105°C
-40°F to +221°F

Operating force (nominal):
3N / 306 grams

Contact bounce (nominal):
1 millisecond

LED:
T-1

Dielectric strength:
1,000 VAC

Insulation resistance:
1 GΩ

Contact resistance:
50 mΩ max (initial)

Switching power (max):
16 VA AC

Mounting Torque (max):
15 inch pounds

Electrical Ratings:

Circuitry	Current	Voltage
SPST-DB-NO	400 mA	32 VAC Res
SPST-DB-NC	100 mA	50 VDC Res
	125 mA	125 VAC Res

X-ON Electronics

Largest Supplier of Electrical and Electronic Components

Click to view similar products for [Pushbutton Switches](#) category:

Click to view products by [Lumex Switch](#) manufacturer:

Other Similar products are found below :

[8971K1133](#) [LW2L-M1C20M-A](#) [01-153.025](#) [M22-D-R-GB0/K11](#) [67021K512](#) [701PB580](#) [7199K101](#) [810K12910](#) [810KSV30B](#) [FLT 2U EE](#)
[01A](#) [MML21EA2ADK](#) [MML21KA3ABK](#) [MML23KW3AA01W](#) [8418K2](#) [8442K3](#) [8450K1](#) [860K11911T01A](#) [861901](#) [861K11911T01A07](#)
[861K13810T00A14](#) [861K13911](#) [8646AB6X718UL](#) [9533CD4+U574+U4922](#) [99-450.837](#) [99-453.837](#) [A2PMA1X03EC56](#) [A3A-7310](#) [A3A-](#)
[7340](#) [12037A2ULCSA](#) [1203A2UL](#) [ABGW410-R](#) [1211390004](#) [ABN400-R](#) [121382](#) [1213C3](#) [HE3B-M2](#) [1211500044](#) [121194](#) [1212MRA](#)
[1232A6NF](#) [121489](#) [1223A2ULCSA](#) [D5P-MT4](#) [13435AG](#) [13445AD29GX768](#) [AG23-L2](#) [AH165-2SGLG1TE3](#) [AH165-TGFY22](#) [AH165-](#)
[TGL5Y11E3](#) [AH165-TGLR11AA3](#)