



**SERIES W59M
- PUSHBUTTON SWITCHES**

Series W59M

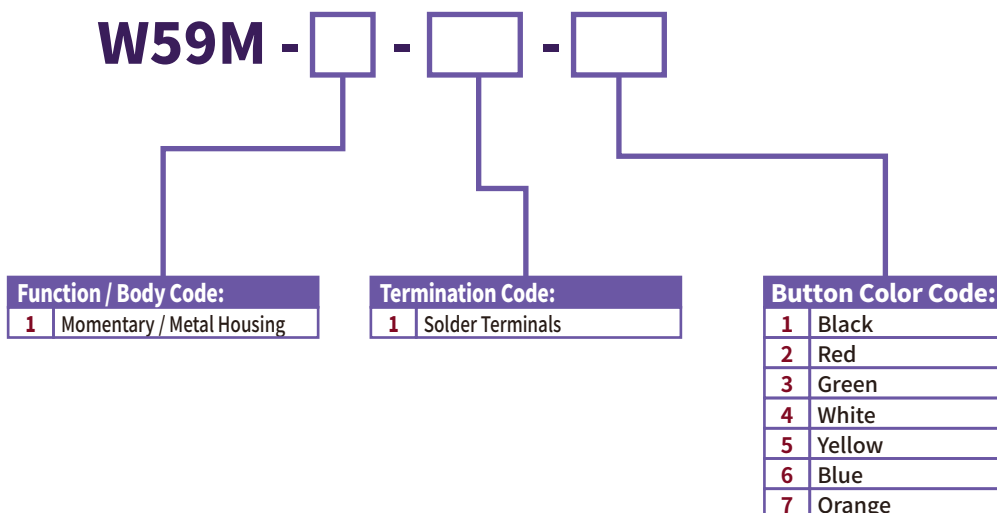
KEY FEATURES

- Size: 12mm
- IP67 water proof
- Momentary action
- Operation temperature: -55 ~ 125°C
- Impact resistant
- Bezel: Zinc Alloy with coating
- Gold contacts
- 500,000 life cycles @max power

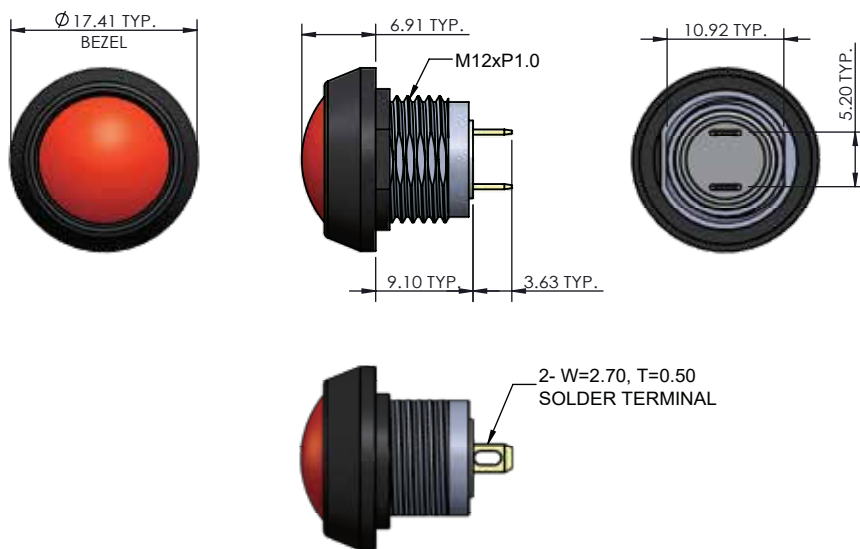
APPLICATIONS

- Communications
- Instrumentation
- Data processing
- Process controls
- Transportation/Material handling

ORDERING INFORMATION



SERIES W59M - PUSHBUTTON SWITCHES



RECOMMENDED PANEL CUT-OUT	
PANEL THICKNESS	0.06~0.12" [1.5~3.0 mm]
NUT TORQUE FORCE	Max. 5.2 lb-in [6 kgf-cm]

MECHANICAL CHARACTERISTICS

- **Switch Circuitry:**
SPST-NO-DB
- **Switch Action:**
Momentary
- **Operating Force:**
306g [3N] Nominal
- **Button Travel:**
2.3mm [.09] Nominal
- **Contacts:**
Gold Plated
- **Mechanical Life:**
1,000k Cycles

ENVIROMENTAL SPECIFICATIONS

- **Operating Temperature:**
-55°C to +125°C (-67°F to +257°F)
- **Water Proof:**
Case IP67

ELECTRICAL SPECIFICATIONS

- **Current Rating :**
400mA@32VAC, 500k Cycles Nominal
125mA@125VAC, 500k Cycles Nominal
100mA@50VDC, 500k Cycles Nominal
- **Dielectric Strength:**
1,000VAC
- **Insulation Resistance:**
1G Ω
- **Contacts Resistance:**
50m Ω Max Initial

X-ON Electronics

Largest Supplier of Electrical and Electronic Components

Click to view similar products for [Pushbutton Switches](#) category:

Click to view products by [Lumex Switch](#) manufacturer:

Other Similar products are found below :

[8971K1133](#) [LW2L-M1C20M-A](#) [01-153.025](#) [M22-D-R-GB0/K11](#) [67021K512](#) [701PB580](#) [7199K101](#) [810K12910](#) [810KSV30B](#) [FLT 2U EE](#)
[01A](#) [MML21EA2ADK](#) [MML21KA3ABK](#) [MML23KW3AA01W](#) [8418K2](#) [8442K3](#) [8450K1](#) [860K11911T01A](#) [861901](#) [861K11911T01A07](#)
[861K13810T00A14](#) [861K13911](#) [8646AB6X718UL](#) [9533CD4+U574+U4922](#) [99-450.837](#) [99-453.837](#) [A2PMA1X03EC56](#) [A3A-7310](#) [A3A-](#)
[7340](#) [12037A2ULCSA](#) [1203A2UL](#) [ABGW410-R](#) [1211390004](#) [ABN400-R](#) [121382](#) [1213C3](#) [HE3B-M2](#) [1211500044](#) [121194](#) [1212MRA](#)
[1232A6NF](#) [121489](#) [1223A2ULCSA](#) [D5P-MT4](#) [13435AG](#) [13445AD29GX768](#) [AG23-L2](#) [AH165-2SGLG1TE3](#) [AH165-TGFY22](#) [AH165-](#)
[TGL5Y11E3](#) [AH165-TGLR11AA3](#)