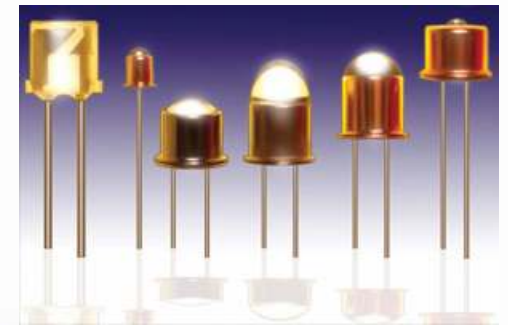




Hermetic Packaged CdS

Advanced Photonix, Inc.
Product Overview



Hermetic Packages

- Advantages of Hermetic Packages
 - Environmental
 - Air
 - Moisture
 - Life of Photocell
 - Durability





TO-18 Photocells

Features

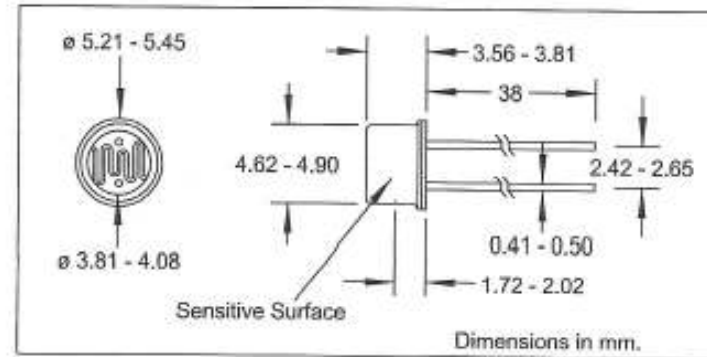
- Six Photoconductive Materials
- Tolerance: $\pm 40\%$ @ 1 ftc, $\pm 33\%$ @ 2 ftc

Description

The Silonex TO-18 hermetic flat lens package series of photocells provide up to seven standard resistance ranges in CdS or CdSe materials.

Absolute Maximum Ratings

Operating & Storage Temperature -60°C to +75°C
 Power Dissipation @ 25°C (1) 50 mW



API Part Number	Sensitive Material	Spectral Peak (nm)	R @ 1 ftc (kohms)	R @ 2 ftc (Kohms)	R _{TYP} @ 100 ftc (Kohms)	Min R _{DARK} (Kohms)	V _{MAX} (Volts) (peak AC or DC)
NSL-5110	Type 5 CdS	550		10	.70	.67	100
NSL-5150	Type 5 CdS	550		15	.40	10	60
NSL-06S53		550	60			20	320



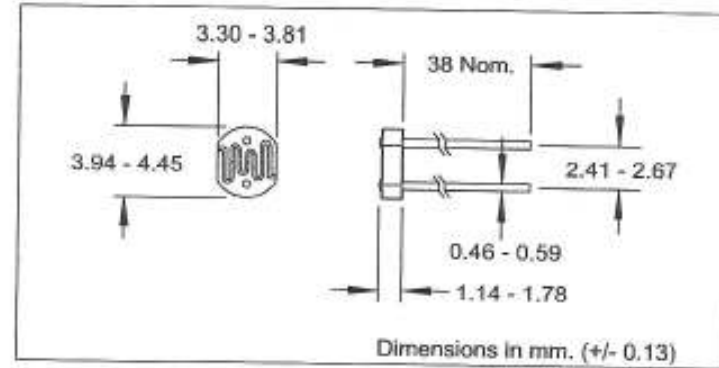
Plastic TO-18 Photocells

Features

- Five photoconductive materials
- Tolerance: $\pm 40\%$ @ 1 ftc, $\pm 33\%$ @ 2 ftc

Description

The Silonex TO-18 series of photoconductive cells provide up to seven standard resistance ranges in CdS or CdSe materials. These photocells are ceramic based with a moisture resistant plastic encapsulation. These devices are also available in a hermetic package.



API Part Number	Sensitive Material	Spectral Peak (nm)	R @ 1 ftc (kohms)	R @ 2 ftc (Kohms)	R _{TYP} @ 100 ftc (Kohms)	Min R _{DARK} (Kohms)	V _{MAX} (Volts) (peak AC or DC)
NORPS-12 Plastic TO-18	Type 5 CdS	550	5.4			1	250
NSL-19M51 Plastic TO-18	Type 5 CdS	550		.25	25	67	170
NSL-5162 Ceramic TO-18	Type 5 CdS	550		100	3000	67	100
NSL-6112 Ceramic TO-18	Type 6 CDS	690		2	170	1.3	100

TO-8 Photocells

Features

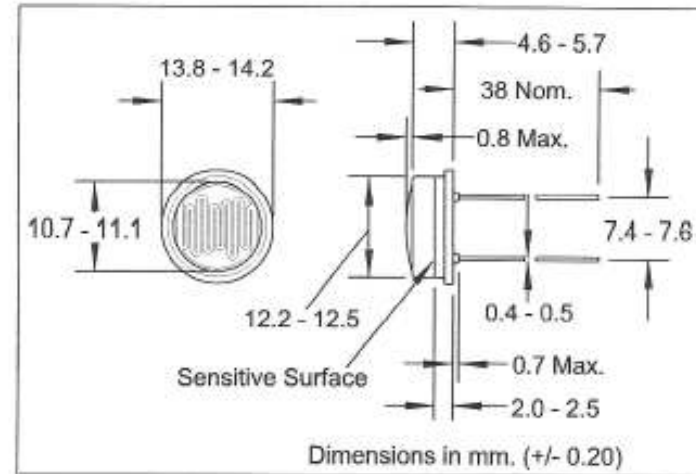
- Five Photoconductive Materials
- Tolerance: $\pm 40\%$ @ 1 ftc, $\pm 33\%$ @ 2 ftc

Description

The Silonex TO-8 series of photoconductive provide up to eight standard resistance ranges in CdS or CdSe materials.

Absolute Maximum Ratings

Operating & Storage Temperature -60°C to $+75^{\circ}\text{C}$
Power Dissipation @ 25°C (1) 500 mW



API Part Number	Sensitive Material	Spectral Peak (nm)	R @ 1 ftc (kohms)	R @ 2 ftc (Kohms)	R _{TYP} @ 100 ftc (Kohms)	Min R _{DARK} (Kohms)	V _{MAX} (Volts) (peak AC or DC)
NSL-4960	Type 4 CdS	515	17		500	1000	320
NSL-6910	Type 6 CdS	690		.25	25	67	170
NSL-7910	Type 7 CdS	615		7.5	800	1500	250



Applications

- Outdoor Light Sensing
 - Street Lights
 - Parking Lot Lights
 - Building Perimeter Lights
 - Outdoor Advertising Signs
 - Photosynthetic Monitoring
 - Solar Panels
 - Solar Tracking



API Contacts

East and Europe

Mark Anderson

manderson@advancedphotonix.com

978-948-2131 (office)

805-312-1179 (cell)

Central N.A.

Rick Madden

rmadden@advancedphotonix.com

469-287-2058 (office)

805-368-6714 (cell)

West and Asia

Tim Bodenhamer

tbodenhamer@advancedphotonix.com

714-617-4392 (office)

805-377-1585 (cell)

Advanced Photonix, Inc.

1240 Avenida Acaso

Camarillo, CA 93012

www.advancedphotonix.com

1-805-987-0146

X-ON Electronics

Largest Supplier of Electrical and Electronic Components

Click to view similar products for [luna optoelectronics](#) manufacturer:

Other Similar products are found below :

[PDI-E804](#) [PDB-V615-2](#) [PDB-V601-1-25](#) [PDB-C110](#) [PDV-P9004](#) [PDB-C109](#) [PDB-V107](#) [PDB-C612-2](#) [PDB-C107](#) [SLSD-71N300](#) [PDV-P9103](#) [NSL-4960](#) [PDB-C609-2](#) [PDB-C158F](#) [PDV-P5002](#) [NSL-6910](#) [PDB-C613-2](#) [NSL-5150](#) [NSL-5510](#) [PDV-P8101](#) [PDV-P8005](#) [NSL-32SR2S](#) [PDV-P8107](#) [PDB-C160SM](#) [PDV-P5001](#) [PDV-P7002](#) [PDV-P9003-1](#) [PDV-P5003](#) [PDV-P9003](#) [NSL-5540](#) [NSL-32SR2](#) [PDV-P8006](#) [PDV-P8102](#) [PDB-C158](#) [PDV-P8001](#) [PDB-C171SM](#) [PDV-P9002](#) [PDV-P9200](#) [PDV-P9005](#) [NORPS-12](#) [APW-MW2-1210-010](#) [NSL-5152](#) [NSL-5162](#) [NSL-5112](#) [PDV-P9203](#) [NSL-6110](#) [NSL-06S53](#) [PDV-P9002-1](#) [PDB-C139](#) [PDV-P9006](#)