

02


2830 ... TF1C...

## Panel Mount Connectors Quicklock



Quicklock flange chassis plug, IP67, size 28, straight version, with metal housing, screw clamps and protecting cap (IP65)

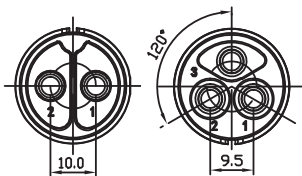
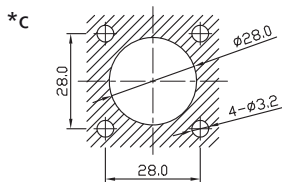
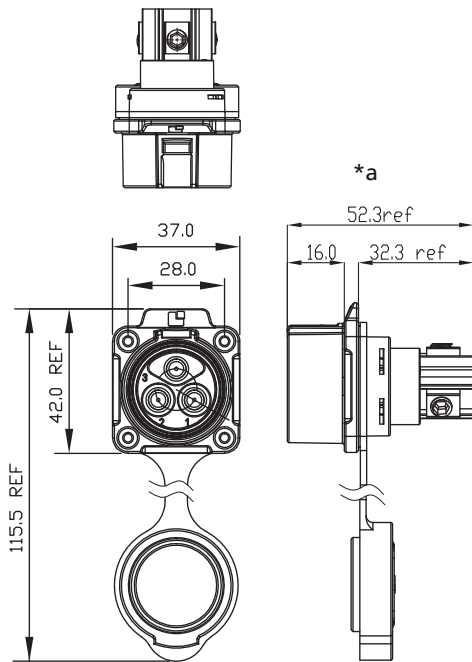
---

Approvals: 

---

02

2830 ... TF1C...



2830 02  
TF1CR

2830 03  
TF1CR

\*a 2 and 3 pole versions with screw clamps  
\*c port

#### Environmental conditions

Temperature range -40 °C/+80 °C

#### Materials

Insulating body PBT, V-0 according to UL94  
Contact pin CuZn, gold-plated  
Housing Zn alloy, chrome-plated  
Cap SI

#### Mechanical data

Protection class IP67 (protecting cap IP65)<sup>1</sup>

<sup>1</sup> only in locked condition with an appropriate counterpart

#### Connectable conductors for screw clamp

Section 2.5–16.0 mm<sup>2</sup>/AWG 14–6

#### Electrical data (at T<sub>amb</sub> 20 °C)

Rated current 50 A (2 poles)  
43 A (3 poles)  
Rated voltage 500 V AC  
Rated impulse voltage ≤ 2500 V  
Creepage distance ≥ 2 mm  
Clearance ≥ 2 mm  
Insulation resistance > 500 MΩ

#### Associated products

Counterparts  
↗ 2840 ... T20C... T

02

2830 ... TF1C...

Designation	Pole Number	PU (Pieces)	MDQ (Pieces)
2830 02 TF1CR	2	4	20
2830 03 TF1CR	3	4	20

**Packaging:**

in individual plastic bags, in a cardboard box

## X-ON Electronics

Largest Supplier of Electrical and Electronic Components

*Click to view similar products for [Unspecified Connectors](#) category:*

*Click to view products by [LUTRONIC](#) manufacturer:*

Other Similar products are found below :

[1-21107-1](#) [RAD-OUT-8D-REL](#) [1409899](#) [1-1589688-1](#) [770690-4](#) [QUINT-PS/1AC/48DC/10](#) [1200110](#) [1200113](#) [LTWBD-06PMMP-LC7001](#)  
[RC-5AS2000](#) [RAD-900-CONF-RF1](#) [RAD-CON-SMA-N-SS](#) [RAD-PIG-EF316-N-RSMA](#) [RAD-ISM-2400-ANT-VAN-3-0-R](#) [RIF-0-RPT-](#)  
[12DC/21](#) [RIF-1-BPT/2X21](#) [RIF-RH-1](#) [2000 3/8](#) [3040 17-1/2](#) [GOL BLUE 25](#) [800307](#) [5043994](#) [5736861](#) [1714624](#) [5772605](#) [1016808](#)  
[41.032.4053.1](#) [RM12BPE-3PH\(76\)](#) [RM12BPE-6PH\(76\)](#) [44429310](#) [RM15TPD-10P\(76\)](#) [0250 02](#) [0250 03](#) [0250 04](#) [0250 05](#) [0250 06](#) [0250 07](#)  
[0250 08](#) [0251 02](#) [0251 04](#) [0251 05](#) [0251 07](#) [0251 08](#) [0251 09](#) [0252 02](#) [0252 03](#) [0252 04](#) [0252 05](#) [0252 07](#) [0252 09](#)