


02

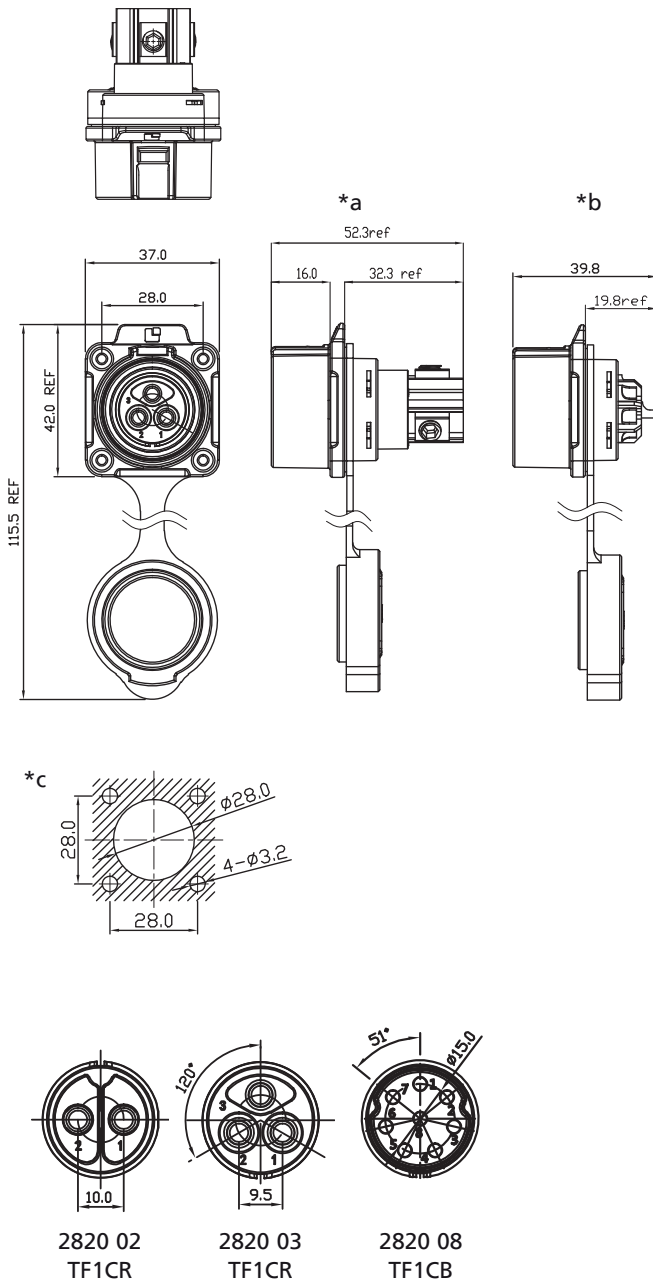
2820 ... TF1C...

Panel Mount Connectors Quicklock



Quicklock flange chassis socket, IP67, size 28, straight version, with metal housing, screw clamps (8-pole version with solder terminals) and protecting cap (IP65)

Approvals: 



- *a 2 and 3 pole versions with screw clamps
- *b 8 pole version with solder contacts
- *c port

Environmental conditions

Temperature range -40 °C/+80 °C

Materials

Insulating body PBT, V-0 according to UL94
 Contact bush CuZn, gold-plated
 Housing Zn alloy, chrome-plated
 Cap SI

Mechanical data

Mating cycles 1700
 Insertion force ≤ 130 N
 Withdrawal force ≤ 120 N
 Protection class IP67 (protecting cap IP65)¹

¹ only in locked condition with an appropriate counterpart

Connectable conductors for screw clamp

Section 2.5–16.0 mm²/AWG 14–6 (2–3 poles)

Connectable conductors for solder area

Section 1.5–4.0 mm²/AWG 16–12 (8 poles)

Electrical data (at T_{amb} 20 °C)

Contact resistance ≤ 5 mΩ
 Rated current 50 A (2 poles)
 43 A (3 poles)
 17 A (8 poles)
 Rated voltage 500 V AC
 Rated impulse voltage ≤ 2500 V
 Creepage distance ≥ 2 mm
 Clearance ≥ 2 mm
 Insulation resistance > 500 MΩ

Associated products

Counterparts
 ↗ 2850 ... T20C... T

02

2820 ... TF1C...

Designation	Pole Number	PU (Pieces)	MDQ (Pieces)
2820 02 TF1CR	2	4	20
2820 03 TF1CR	3	4	20
2820 08 TF1CB	8	4	20

Packaging:

in individual plastic bags, in a cardboard box

X-ON Electronics

Largest Supplier of Electrical and Electronic Components

Click to view similar products for [Unspecified Connectors](#) category:

Click to view products by [LUTRONIC](#) manufacturer:

Other Similar products are found below :

[1-21107-1](#) [RAD-OUT-8D-REL](#) [1409899](#) [1-1589688-1](#) [770690-4](#) [QUINT-PS/1AC/48DC/10](#) [1200110](#) [1200113](#) [LTWBD-06PMMP-LC7001](#)
[RC-5AS2000](#) [RAD-900-CONF-RF1](#) [RAD-CON-SMA-N-SS](#) [RAD-PIG-EF316-N-RSMA](#) [RAD-ISM-2400-ANT-VAN-3-0-R](#) [RIF-0-RPT-](#)
[12DC/21](#) [RIF-1-BPT/2X21](#) [RIF-RH-1](#) [2000 3/8](#) [3040 17-1/2](#) [GOL BLUE 25](#) [800307](#) [5043994](#) [5736861](#) [1714624](#) [5772605](#) [1016808](#)
[41.032.4053.1](#) [RM12BPE-3PH\(76\)](#) [RM12BPE-6PH\(76\)](#) [44429310](#) [RM15TPD-10P\(76\)](#) [0250 02](#) [0250 03](#) [0250 04](#) [0250 05](#) [0250 06](#) [0250 07](#)
[0250 08](#) [0251 02](#) [0251 04](#) [0251 05](#) [0251 07](#) [0251 08](#) [0251 09](#) [0252 02](#) [0252 03](#) [0252 04](#) [0252 05](#) [0252 07](#) [0252 09](#)