

Technical data sheet - Actuator sensor interface

RJ45 panel connector



Identification	Type	RJ45 F/F 8/8 Cat.5e
	Part-No.	492075
Description	RJ45 panel connector for front installation 22.5 mm female/female 1:1 Cat 5e	
Technical data	Rated voltage U_N AC 24 V	
	Rated voltage max. 50 V	
	Rated current 1.5 A	
	Pole number 8	
	Transfer rate 100 MHz	
	Category Cat.5e	
	Contact type 1 : 1	
	Shielding connected through	
General	Form male 1 RJ45	
	Degree of pollution 3	
	Insulation resistance > 100 M Ω	
	Contact resistance < 30 m Ω	

02.02.2020 – Subject to technical modification

Part-No. 492075

USA: LUTZE INC.

13330 South Ridge Drive • Charlotte, NC 28273, USA
Tel. +1 (704) 504-0222 • Fax +1 (704) 504-0223
www.lutze.com • info@lutze.com

United Kingdom: LÜTZE Ltd.

Unit 3, Sandy Hill Park
Sandy Way, Amington • GB-Tamworth, Staffs B77 4DU
Tel. +44 (0)1827 31333-0 • Fax +44 (0)1827 31333-2
www.lutze.com • sales.gb@lutze.co.uk

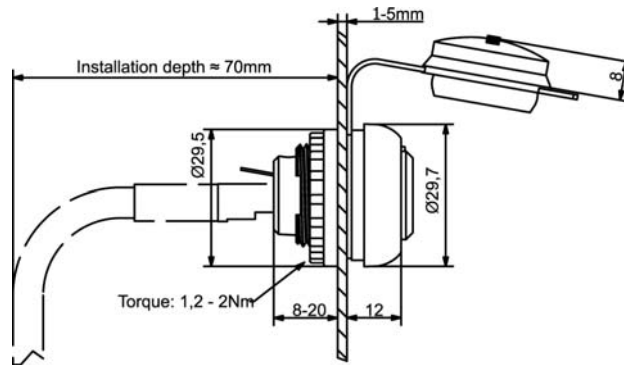


SYSTEMATIC TECHNOLOGY

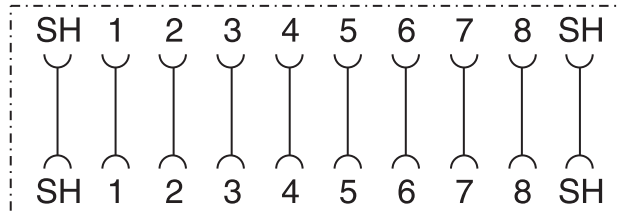
Technical data sheet - Actuator sensor interface

Flamability according to UL 94	V0
Protection class	IP65 and Nema UL Type 2, 3R, 4, 4X, 12, 13 in closed and IP20 in inserted condition
Housing material	PA PBT
Cover	TPU
Contact material	CuSn, gold-plated
Mounting	Front installation
Installation depth	70 mm
Number of conductors/cross-section	8×2
Operation temperature range	-25 °C ... +70 °C
Storage temperature range	-25 °C ... +80 °C
Temperature range connector	-25 °C ... +70 °C
Dimensions (Ø×d)	29.5 × 29 mm
Mechanical service life	>750 insertion cycles
Weight	0.016 kg/piece
PU	1 piece

Dimensions



Circuit diagram



02.02.2020 – Subject to technical modification

Part-No. 492075

USA: LUTZE INC.

13330 South Ridge Drive • Charlotte, NC 28273, USA

Tel. +1 (704) 504-0222 • Fax +1 (704) 504-0223

www.lutze.com • info@lutze.com

United Kingdom: LÜTZE Ltd.

Unit 3, Sandy Hill Park

Sandy Way, Amington • GB-Tamworth, Staffs B77 4DU

Tel. +44 (0)1827 31333-0 • Fax +44 (0)1827 31333-2

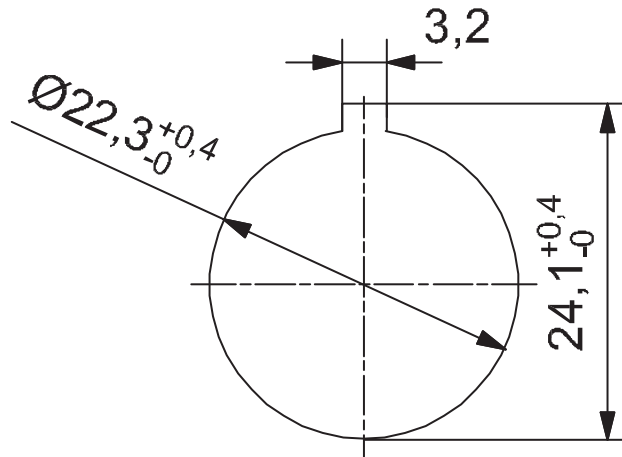
www.lutze.com • sales.gb@lutze.co.uk



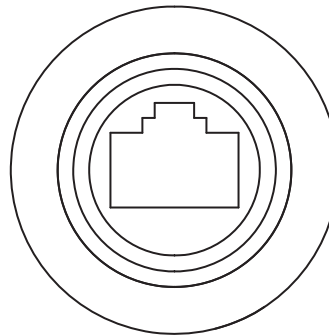
SYSTEMATIC TECHNOLOGY

Technical data sheet - Actuator sensor interface

Mounting diagram



front view:



02.02.2020 – Subject to technical modification

Part-No. 492075

USA: LUTZE INC.

13330 South Ridge Drive • Charlotte, NC 28273, USA
Tel. +1 (704) 504-0222 • Fax +1 (704) 504-0223
www.lutze.com • info@lutze.com

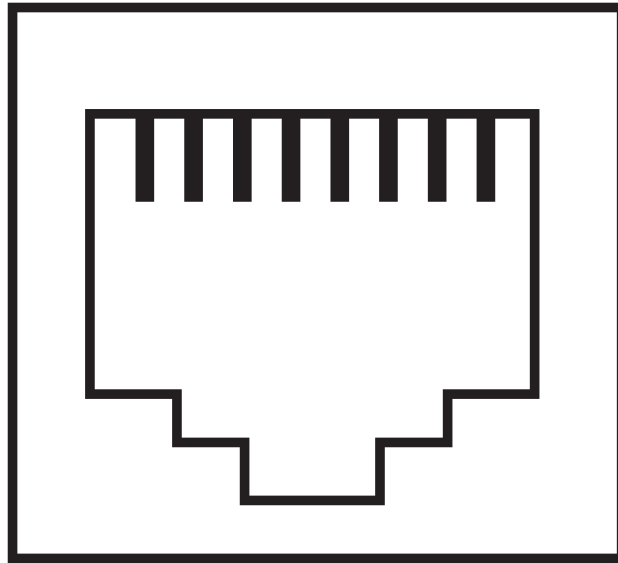
United Kingdom: LÜTZE Ltd.

Unit 3, Sandy Hill Park
Sandy Way, Amington • GB-Tamworth, Staffs B77 4DU
Tel. +44 (0)1827 31333-0 • Fax +44 (0)1827 31333-2
www.lutze.com • sales.gb@lutze.co.uk

Technical data sheet - Actuator sensor interface

Pin layout

1 2 3 4 5 6 7 8



Symbols



Accessories

Included in the delivery:
captive safety cap

02.02.2020 – Subject to technical modification

Part-No. 492075

USA: LUTZE INC.

13330 South Ridge Drive • Charlotte, NC 28273, USA
Tel. +1 (704) 504-0222 • Fax +1 (704) 504-0223
www.lutze.com • info@lutze.com

United Kingdom: LÜTZE Ltd.

Unit 3, Sandy Hill Park
Sandy Way, Amington • GB-Tamworth, Staffs B77 4DU
Tel. +44 (0)1827 31333-0 • Fax +44 (0)1827 31333-2
www.lutze.com • sales.gb@lutze.co.uk



SYSTEMATIC TECHNOLOGY

X-ON Electronics

Largest Supplier of Electrical and Electronic Components

Click to view similar products for [LED Lighting Mounting Accessories](#) category:

Click to view products by [LUTZE](#) manufacturer:

Other Similar products are found below :

[C16142_HEKLA-SOCKET-K](#) [3SU1401-1BF20-3AA0](#) [3SU1401-1BF60-3AA0](#) [3SU1900-0BC31-0AA0](#) [3SU1900-0BC31-0NB0](#) [2213118-2](#)
[3SU1401-2BB20-1AA0](#) [3SU1401-2BB40-1AA0](#) [3SU1401-2BB60-1AA0](#) [3SU1401-2BB60-3AA0](#) [1SFA616921R2131](#) [1SFA616921R2132](#)
[1SFA616921R2133](#) [1SFA611621R1033](#) [1SFA611621R1091](#) [23110022](#) [23110040](#) [23120022](#) [23130000](#) [68550022](#) [68550040](#) [70290000](#)
[70290022](#) [70290040](#) [70300022](#) [76620000](#) [76990022](#) [77280022](#) [77980022](#) [77990001](#) [77990002](#) [77990040](#) [83130001](#) [83130040](#) [83150001](#)
[83150022](#) [83150040](#) [83980001](#) [83980040](#) [83990001](#) [83990022](#) [83990040](#) [84040022](#) [84510002](#) [86050038](#) [86180003](#) [89080002](#) [89080022](#)
[89140002](#) [89980002](#)