



<b>Identification</b>	Type	RJ45 F/F 8/8 Cat.6
	Part-No.	491075

<b>Description</b>	RJ45 panel connector for front installation 22.5 mm female/female 1:1 Category 5e/6
--------------------	---

<b>Technical data</b>	
Nominal voltage	AC 24 V
Nominal voltage range	AC 150 V
Rated current	1.5 A
Number of terminations	8
Category	6
Contact type	1 : 1
Shielding	360° shielding

<b>General</b>	
Form	RJ45
Pollution degree	3
Insulation resistance	≥100 MΩ
Contact resistance	≤30 mΩ
Class of flammability according to UL 94	V0

10.08.2014 – Subject to technical modification

Part-No. 491075

USA: LUTZE INC.

13330 South Ridge Drive • Charlotte, NC 28273, USA

Tel. +1 (704) 504-0222 • Fax +1 (704) 504-0223

www.lutze.com • info@lutze.com

United Kingdom: LÜTZE Ltd.

Unit 3, Sandy Hill Park

Sandy Way, Amington • GB-Tamworth, Staffs B77 4DU

Tel. +44 (0)1827 31333-0 • Fax +44 (0)1827 31333-2

www.lutze.com • sales.gb@lutze.co.uk

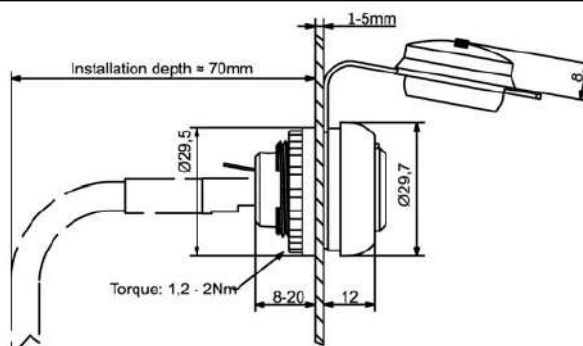


SYSTEMATIC TECHNOLOGY

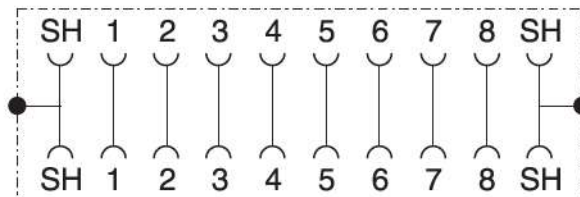
## Technical data sheet · Actuator sensor interface

Protection class	IP 65 and NEMA UL Type 12 in closed and IP 20 in inserted condition
Housing material	PA-GF25; PBT Gf20; cover TPU
Cover	TPU
Contact material	CuSn, gold-plated
Field installation	Front plate cutout D=22.5mm
Installation depth	approx. 70 mm
Cable construction	8 (4-pair)
Storage temperature range	-25 °C – 80 °C
Operation temperature range	-25 °C – 70 °C
Dimension	(?×D) 29.5 × 29 mm
Mechanical service life	<750 insertion cycles
Weight (kg/piece)	0.016
Approvals	cULus
PU	1

### Dimensions



### Circuit diagram



10.08.2014 – Subject to technical modification

Part-No. 491075

USA: LUTZE INC.

13330 South Ridge Drive • Charlotte, NC 28273, USA

Tel. +1 (704) 504-0222 • Fax +1 (704) 504-0223

www.lutze.com • info@lutze.com

United Kingdom: LÜTZE Ltd.

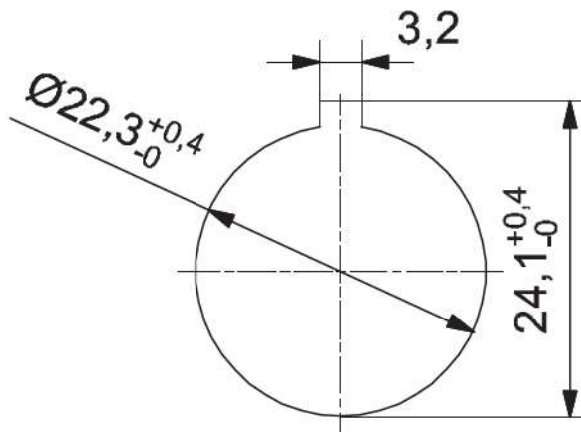
Unit 3, Sandy Hill Park

Sandy Way, Amington • GB-Tamworth, Staffs B77 4DU

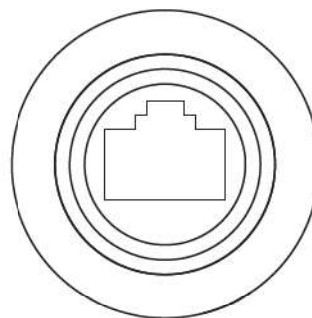
Tel. +44 (0)1827 31333-0 • Fax +44 (0)1827 31333-2

www.lutze.com • sales.gb@lutze.co.uk

Mounting diagram



front view:



Logo



10.08.2014 – Subject to technical modification

Part-No. 491075

USA: LUTZE INC.

13330 South Ridge Drive • Charlotte, NC 28273, USA

Tel. +1 (704) 504-0222 • Fax +1 (704) 504-0223

www.lutze.com • info@lutze.com

United Kingdom: LÜTZE Ltd.

Unit 3, Sandy Hill Park

Sandy Way, Amington • GB-Tamworth, Staffs B77 4DU

Tel. +44 (0)1827 31333-0 • Fax +44 (0)1827 31333-2

www.lutze.com • sales.gb@lutze.co.uk

## X-ON Electronics

Largest Supplier of Electrical and Electronic Components

*Click to view similar products for [LED Lighting Mounting Accessories](#) category:*

*Click to view products by [LUTZE](#) manufacturer:*

Other Similar products are found below :

[C16142\\_HEKLA-SOCKET-K](#) [3SU1401-1BF20-3AA0](#) [3SU1401-1BF60-3AA0](#) [3SU1900-0BC31-0AA0](#) [3SU1900-0BC31-0NB0](#) [2213118-2](#)  
[3SU1401-2BB20-1AA0](#) [3SU1401-2BB40-1AA0](#) [3SU1401-2BB60-1AA0](#) [3SU1401-2BB60-3AA0](#) [1SFA616921R2131](#) [1SFA616921R2132](#)  
[1SFA616921R2133](#) [1SFA611621R1033](#) [1SFA611621R1091](#) [23110022](#) [23110040](#) [23120022](#) [23130000](#) [68550022](#) [68550040](#) [70290000](#)  
[70290022](#) [70290040](#) [70300022](#) [76620000](#) [76990022](#) [77280022](#) [77980022](#) [77990001](#) [77990002](#) [77990040](#) [83130001](#) [83130040](#) [83150001](#)  
[83150022](#) [83150040](#) [83980001](#) [83980040](#) [83990001](#) [83990022](#) [83990040](#) [84040022](#) [84510002](#) [86050038](#) [86180003](#) [89080002](#) [89080022](#)  
[89140002](#) [89980002](#)