

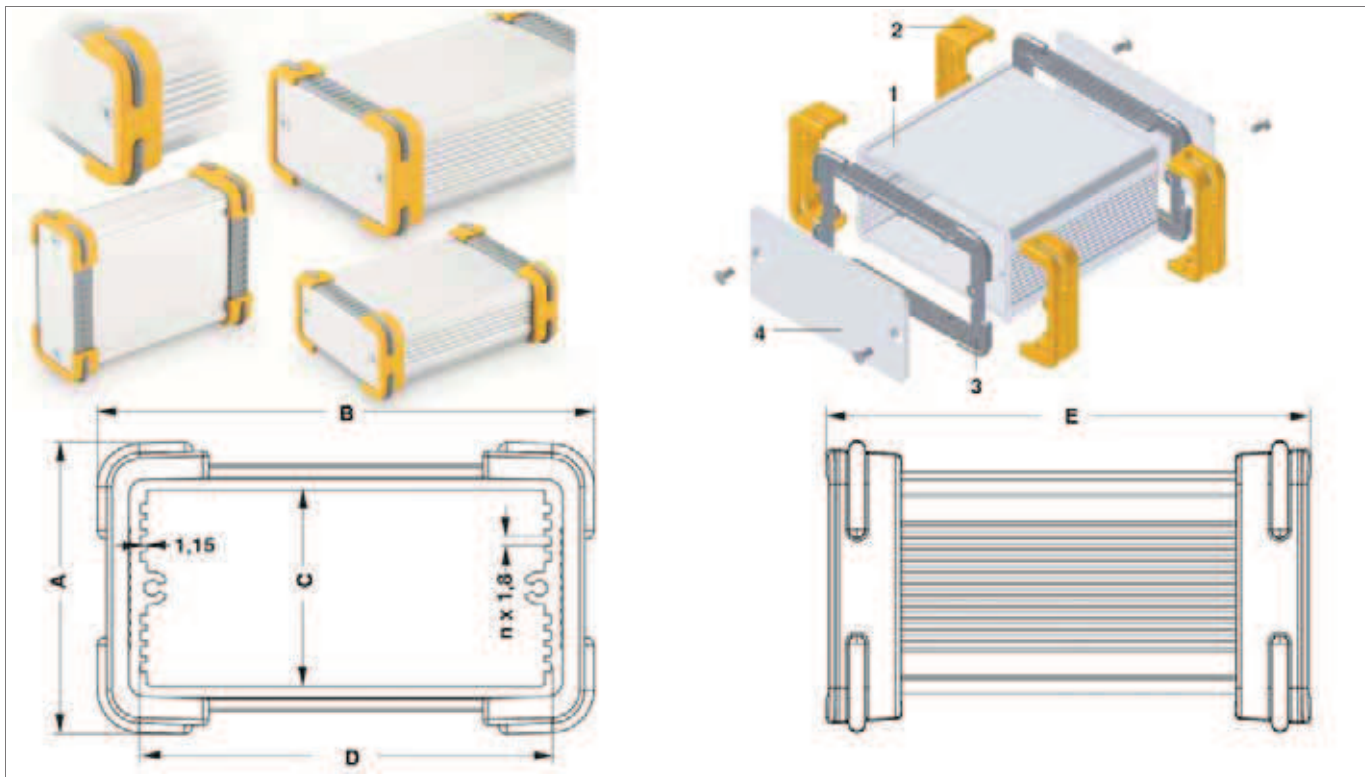
Design case „Frame“

- universal aluminium tube case with integrated guide slots for application of non-standardised components or circuit boards
- modern design in combination with a shock proof plastic cover and sealing for the use as desk case
- application possibilities for front foils or key pads
- EMC compatible version due to electrically conductive surfaces and sealings upon request
- special designs and treatments, modifications and versions due to customers specifications
- further colours and surface treatments upon request

E = available internal lengths + 14 mm

contents of delivery:

- 1** = 1 x basic profile
- 2** = 4 x plastic frame (similar **RAL 1007**)
- 3** = 2 x seal (similar **RAL 7005, no EMV**)
- 4** = 2 x cover plate (2 mm); mounting material



art. no.	dim. [mm]				
	A	B	C	D	n
FR 55 16 ...	24.0	63.6	11	43.1	1
FR 55 25 ...	33.0	63.6	20	51.0	3
FR 55 35 ...	43.0	63.6	30	51.0	7
FR 69 28 ...	36.0	77.7	23	65.1	5
FR 80 42 ...	53.5	91.0	36	75.2	9
FR 94 32 ...	40.0	102.9	27	90.3	7
FR 105 52 ...	63.5	116.0	46	100.3	13
FR 120 42 ...	53.5	131.0	36	115.2	9

please indicate:

... lengths

50 80 100 120 160 200 220 mm

... surface

SA = complete case black anodised
ME = complete case clear anodised
MS = case profile SA, cover panels ME

M 39

Design case Chac
 Design case Rail
 Miniature aluminium case
 Tube cases

→ M 38
 → M 41
 → M 25 – 29
 → M 21

Universal tube cases → M 20
 Tube cases with Eurocards → M 23
 Cooling case → M 31 – 34
 Cover panels due to customer's specif. → M 44

X-ON Electronics

Largest Supplier of Electrical and Electronic Components

Click to view similar products for [Enclosures, Boxes, & Cases](#) category:

Click to view products by [Fisher](#) manufacturer:

Other Similar products are found below :

[CR-425 PAINTED](#) [585-R-WH-PK](#) [M-10-PLATED](#) [60221-01](#) [60566-01-000](#) [HPL-9VB BATT DOOR](#) [M-16-LID-PLATED](#) [M18-PLTD](#) [M-21-LID-PLATED](#) [M-21-PLATED](#) [M-23-PLATED](#) [CU-281-MB](#) [6711GSKT](#) [71884-29-028](#) [LH45-100 Black](#) [7200B](#) [72868-510-000](#) [CNS-0000 Black](#) [72883-510-000](#) [CNS-0101 Black](#) [72906-510-000](#) [CNS-0407 Black](#) [73091-510-000](#) [CNM-0000-BLACK Kit](#) [73092-510-000](#) [CNM-0101 Black](#) [73108-510-000](#) [CNL-0303 Black](#) [73395-510-039](#) [CNS-0006 Bone](#) [74257-510-000](#) [CNL-0004](#) [MDC-1183-PLAIN-ALUM](#) [MDC-1183-PTD](#) [MDC-13104-PLAIN-ALUM](#) [MDC-211 - PAINTED IVORY/BEIGE](#) [MDC-321-PTD](#) [MDC-432-PLAIN-ALUM](#) [MDC-973-PTD](#) [76](#) [77153-01-028](#) [FLX6030](#) [83535-01-508](#) [PS-11296-G](#) [PS-11298-B](#) [116-508](#) [120-407](#) [120-412](#) [120-909](#) [120-455](#) [R272-100-000](#) [120-910](#) [R501-001-010](#) [R508-080-000](#) [R508-160-000](#) [R530-120-000](#) [R530-122-000](#) [R530-200-000](#) [R531-160-000](#) [R531-200-000](#) [R582-080-100](#)