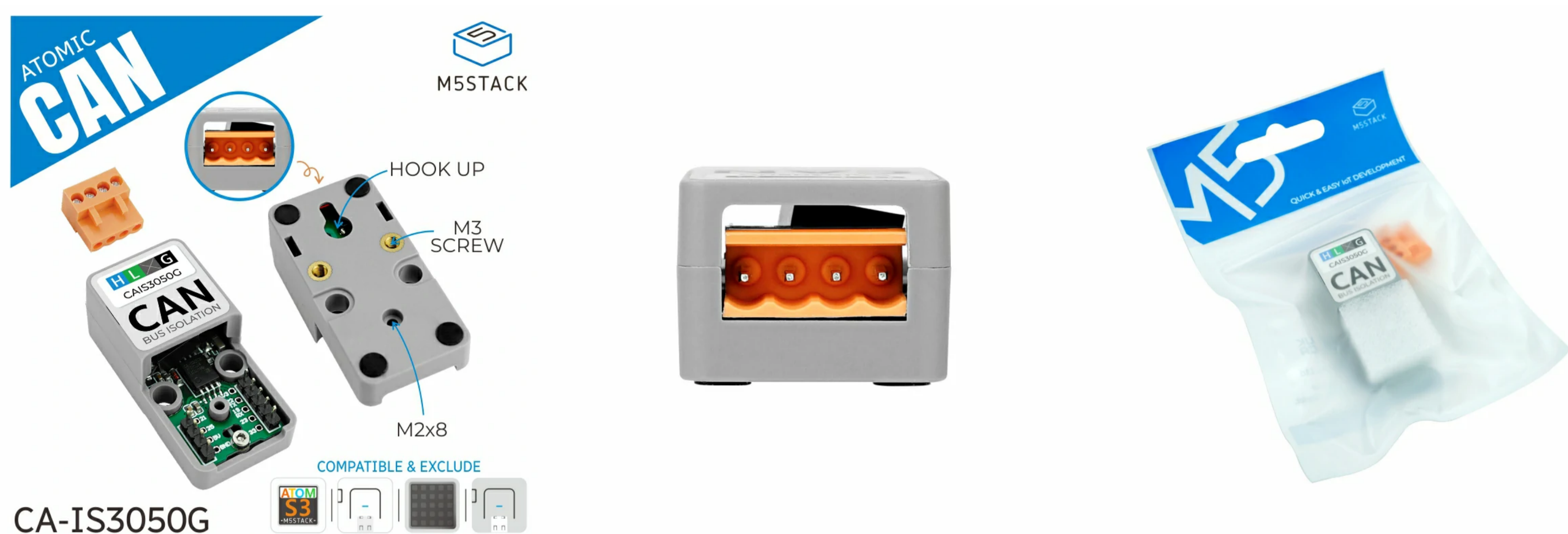


# Atomic CAN Base

SKU:A103



## Description

ATOMIC CAN Base is a CAN bus communication unit designed to be compatible with the ATOM series controllers. It adopts the CA-IS3050G transceiver solution and features a built-in DC-DC isolated power chip that effectively isolates interference and prevents damage to sensitive circuits. It is intended for use with Atom Matrix, Atom Lite, AtomS3, and AtomS3 Lite, making it suitable for applications such as vehicle transportation and security systems.

The communication bus of ATOMIC CAN Base supports up to 110 nodes, allowing for excellent scalability in large-scale systems. It offers a signal transmission rate of up to 1Mbps, providing high-speed and reliable data transfer capabilities.

ATOMIC CAN Base also incorporates various electrical circuit protection features. It meets a common-mode voltage range of -12V to +12V and includes characteristics such as over-voltage protection, failure protection, and over-temperature protection. These features effectively defend against electromagnetic interference, overvoltage, current peaks, and other unfavorable factors, ensuring the stability and reliability of communication signals.

## Features

- Fits ATOM Matrix/ATOM Lite/ATOMS3/ATOMS3 Lite
- CAN bus multipoint communication
- Built-in isolation DC-DC
- Signal rates up to 1Mbps
- Signal rates up to 1Mbps

- Protection function

## Includes

---

- 1x ATOMIC CAN Base
- 1x 3.96-4P terminal

## Applications

---

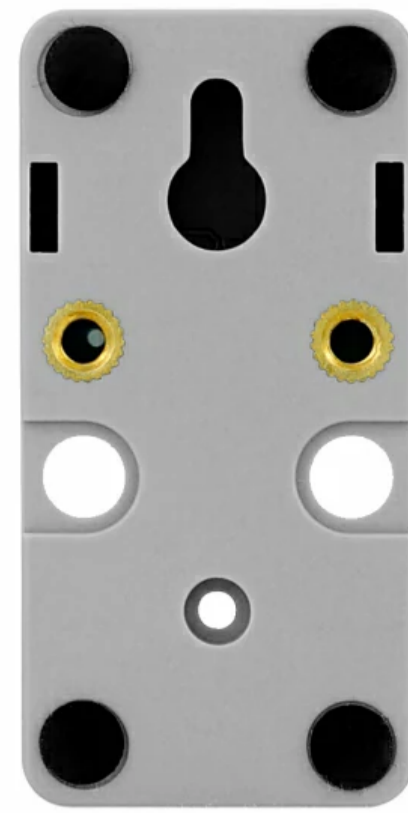
- CAN bus communication
- Vehicle equipment control
- Industrial site control

## Specification

---

Resources	Parameters
External port	VH-3.96-4P
CAN transceiver type	CA-IS3050G
Highest rate	1Mbps
Number of supported nodes	110
Low loop delay	150ns
common mode voltage	-12V ~ 12V
Operating temperature	0-40°C
Shell material	Plastic ( PC )
Product Size	24*48*18mm
Package Size	136* 92*20mm
Product Weight	11.1g
Package Weight	15.6g

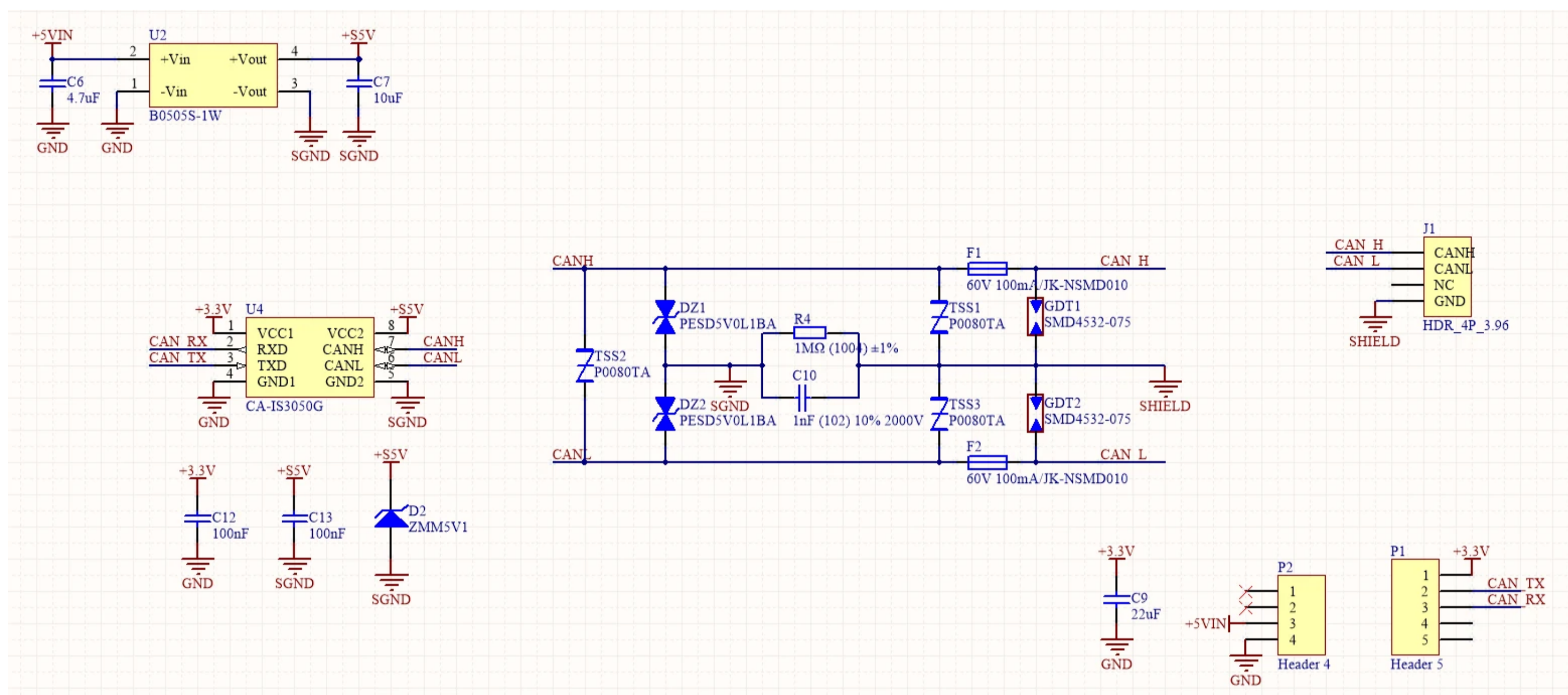




## Related Link

- [CA-IS3050G](#)

## Schematic



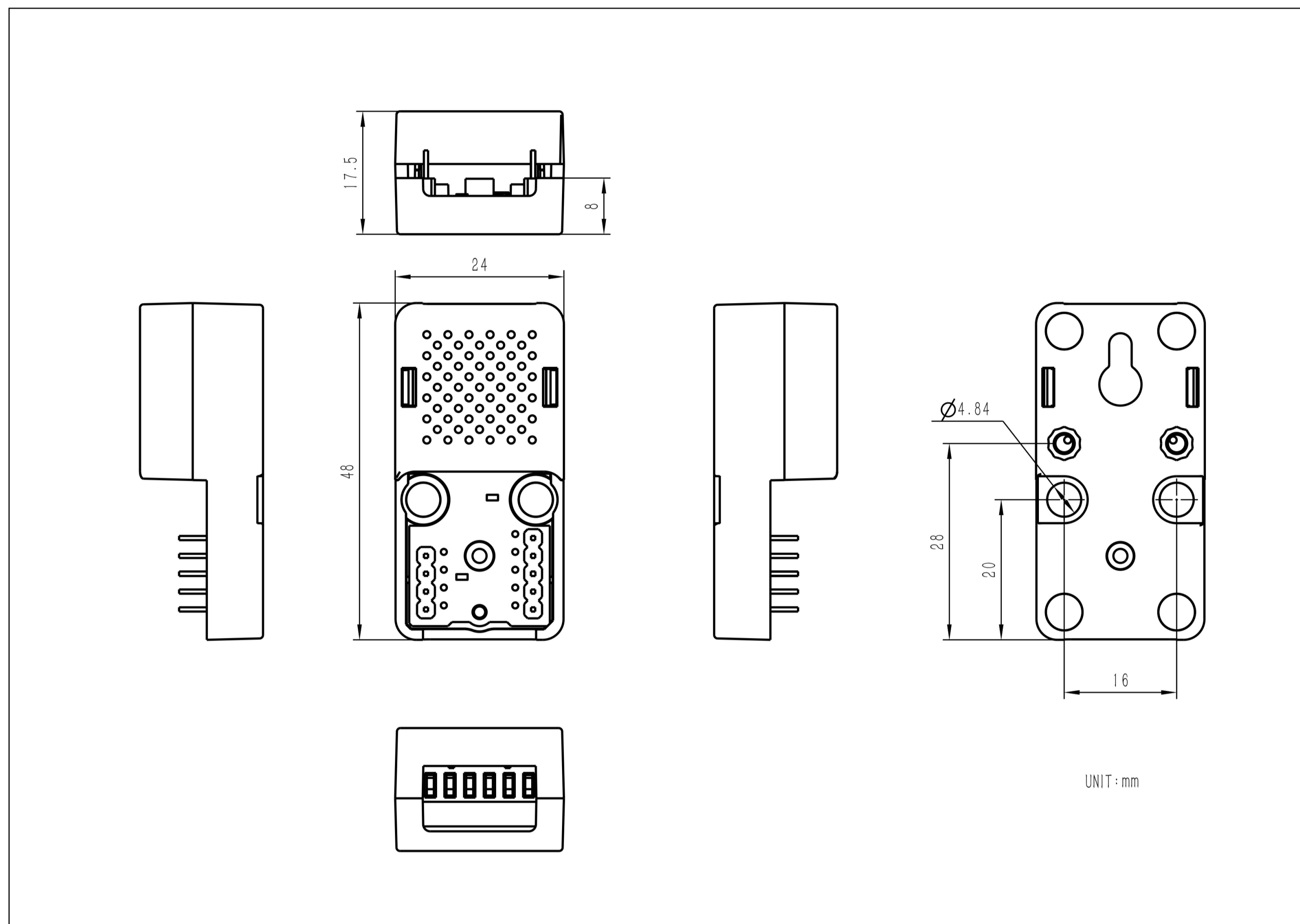
## EasyLoader

- Windows
  - [ATOM\\_CAN\\_RECEIVE](#)
  - [ATOM\\_CAN\\_SENDER](#)

## PinMap

ATOMIC CAN Base	CAN_TX	CAN_RX	5V	GND
ATOM LITE	GPI022	GPI019	5V	GND
ATOMS3	GPI05	GPI06	5V	GND
ATOM LITE	GPI05	GPI06	5V	GND
ATOM Matrix	GPI022	GPI019	5V	GND

## Module Size



## Examples

### Arduino

- [Use ATOMIC CAN for transceiver test](#)

## Video

- CAN BUS COMMUNICATION
- CAN BUS COMMUNICATION( Communication between 3 ATOMIC CAN BASE)

## X-ON Electronics

Largest Supplier of Electrical and Electronic Components

*Click to view similar products for [Interface Development Tools](#) category:*

*Click to view products by [M5Stack](#) manufacturer:*

Other Similar products are found below :

[CY4607M](#) [XR17V358/SP339-E8-EB](#) [TW-DONGLE-USB](#) [XR21B1424IV64-0A-EVB](#) [P0551](#) [5346](#) [SI32185ACB10SL1KIT](#)  
[RAA2S4252EXT](#) [4901](#) [DFR0979](#) [LIME2-SHIELD](#) [EM01-D](#) [USB TO TTL](#) [USB TO RS485](#) [USB-CAN-A](#) [MIKROE-5492](#)  
[RTKH4Z2501S00000BE](#) [5956](#) [5964](#) [103030295](#) [MIKROE-2335](#) [KIT\\_MINIWIGGLER\\_3\\_USB](#) [KITXMC4XCOMETH001TOBO1](#)  
[SI871XSOIC8-KIT](#) [1764](#) [1833](#) [1862](#) [ZSC31010KITV2.1](#) [EVB-USB82514](#) [ATAB663231A-V1.2](#) [ATAB663254A-V1.2](#) [2264](#)  
[MCP23X17EV](#) [PS09-EVA-KIT](#) [MAX96708COAXEVKIT#](#) [MAXPOWERTOOL002#](#) [SMA2RJ45EVK/NOPB](#) [FR12-0002](#) [MAFR-000667-](#)  
[000001](#) [MAFR-000589-000001](#) [MAFR-000553-000001](#) [BOB-13263](#) [BP359C](#) [ORG4572-R01-UAR](#) [XR21B1422IL40-0A-EVB](#)  
[XR21B1420IL28-0A-EVB](#) [284](#) [SKYFR-000743](#) [SKYFR-000827](#) [SKYFR-000982](#)