

Atomic RS485 Base

SKU:A131



Description

Atomic RS485 Base is a TTL-RS485 converter designed for use with M5Atomic. Its function is for TTL level and [RS485](#) level-conversion. RS485 is a communication protocol standard, which is used to define the electrical characteristics of drivers and receivers of a serial communication system. It supports a multi-point system and is widely used in industry. When the applications equipment needs to communicate and be controlled through RS485, ATOM RS-485 is an excellent choice. A DC/DC voltage regulator chip is integrated in the ATOM RS-485, which can directly convert the 12V voltage of RS485 to 5V to supply power for M5ATOM, avoiding the trouble of using a separate power supply.

Features

- Compatible ATOM Matrix/ATOM Lite/ATOMS3/ATOMS3 Lite
- SP3485EE
- Built-in DC/DC
- Multi point communication

Includes

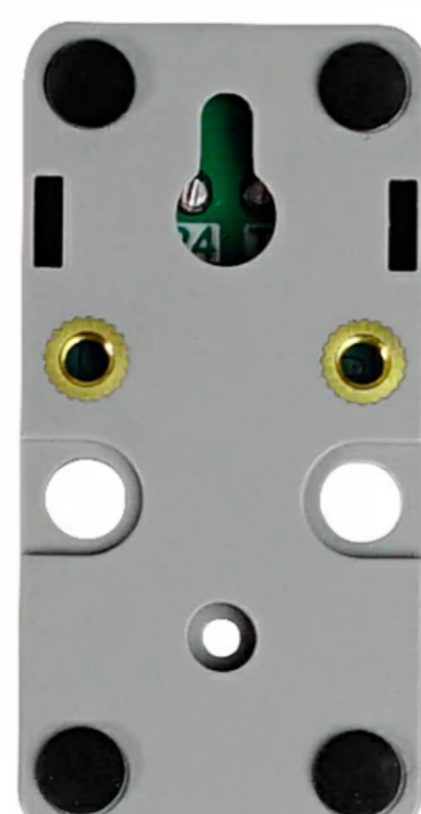
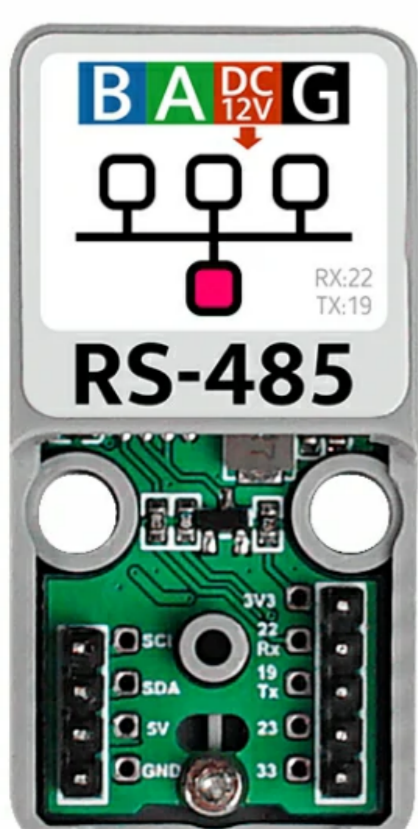
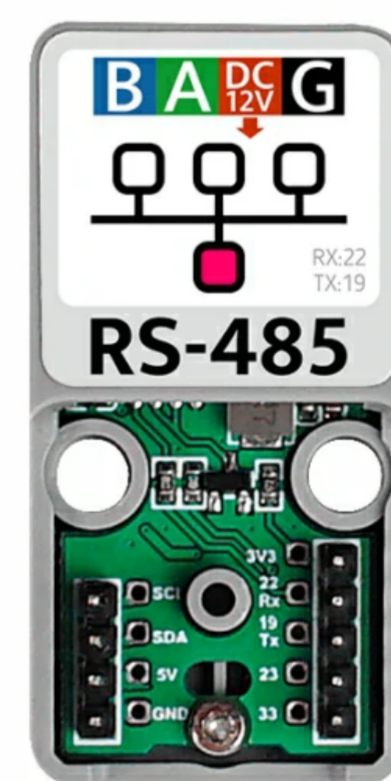
- 1x Atomic RS485 Base

Applications

- RS485 Multi point communication
- Industrial control node

Specification

Resources	Parameters
External port	Parameter External port VH-3.96 4P
level-conversion IC	SP3485EE
DC-DC	A0Z1282CI
Case material	Plastic (PC)
Product Size	24*48*18mm
Package Size	136* 92* 13mm
Product Weight	20g
Package Weight	30g



Products related to this item

[ATOM Lite \(C008\)](#)

[AtomS3 \(C123\)](#)

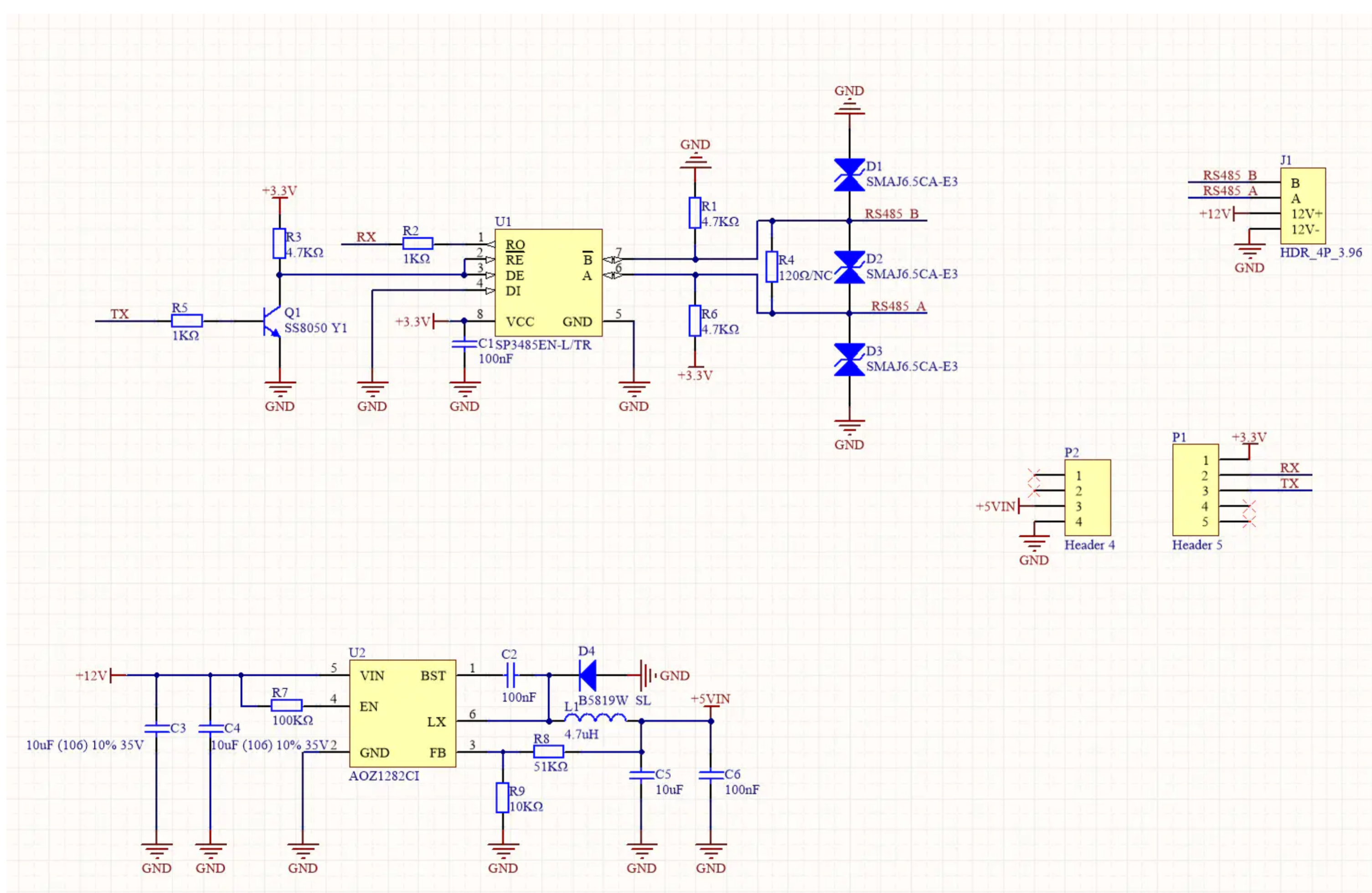
[AtomS3 Lite \(C124\)](#)

[TailBat \(T001\)](#)

Related Link

- [SP485EEN](#)
- [AOZ1282CI](#)

Schematic



EasyLoader

- Windows**
 - [EasyLoader_ATOM_RS485](#)

PinMap

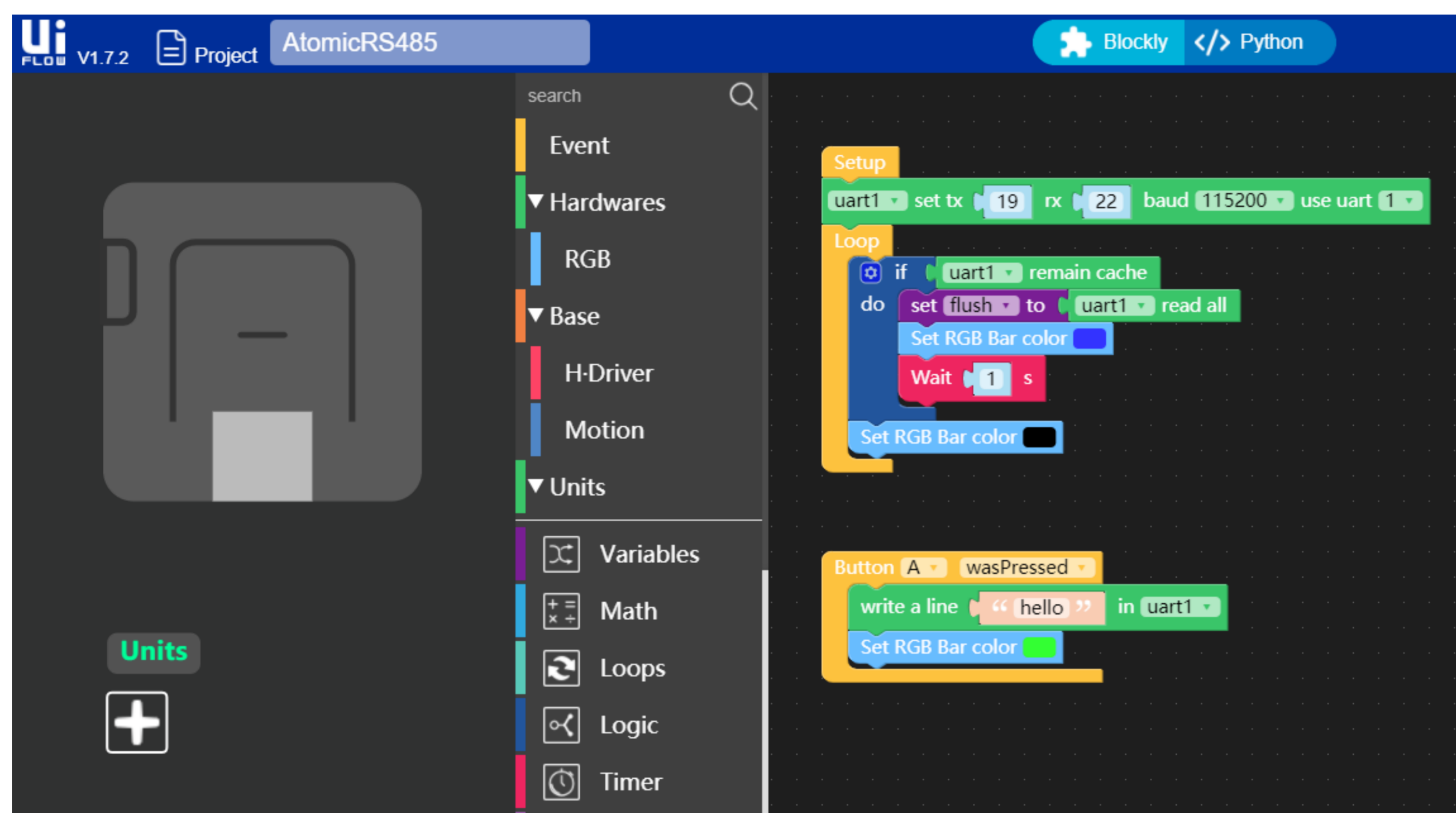
Examples

Arduino

- [Click here to download Arduino example](#)

UIFlow

- [Click here to download UIFlow example](#)



Video

- MQTT & RS485 control Relay

X-ON Electronics

Largest Supplier of Electrical and Electronic Components

Click to view similar products for [Interface Modules](#) category:

Click to view products by [M5Stack](#) manufacturer:

Other Similar products are found below :

[FAB118](#) [ATX6022/14GP7](#) [ATX6022/8](#) [9441560000](#) [73-546-001](#) [60016-023](#) [PCE-DP10-00A1E](#) [60016-002](#) [60006-004](#) [SNAP-PAC-SB2](#)
[60011-093](#) [ADAM-4541-C](#) [ADAM-4510S-F](#) [USB-CARD-READER](#) [USB-RS485](#) [USB-SATA](#) [RSM232D](#) [TD502D232H](#) [RS232 TO RS485](#)
[TD302D232H](#) [TD501D232H](#) [RSM232](#) [RSM232D](#) [TD301D232H](#) [TD302D232H](#) [TD502D232H](#) [20270](#) [60567](#) [30255](#) [50260](#) [20295](#) [40961](#)
[20277](#) [50261](#) [ZHB5105J](#) [EUR0001H](#) [ZHB2301G](#) [50985](#) [USO9ML4](#) [TTL/CAN-USB](#) [4000-68000-4170000](#) [4000-68000-0220000](#) [4000-](#)
[68512-0940003](#) [4000-68000-0090000](#) [6ES73317KF020AB0](#) [6ES71556AA010BN0](#) [6ES71936AR000AA0](#) [GPS50M](#) [FAB8020785](#) [1020882](#)