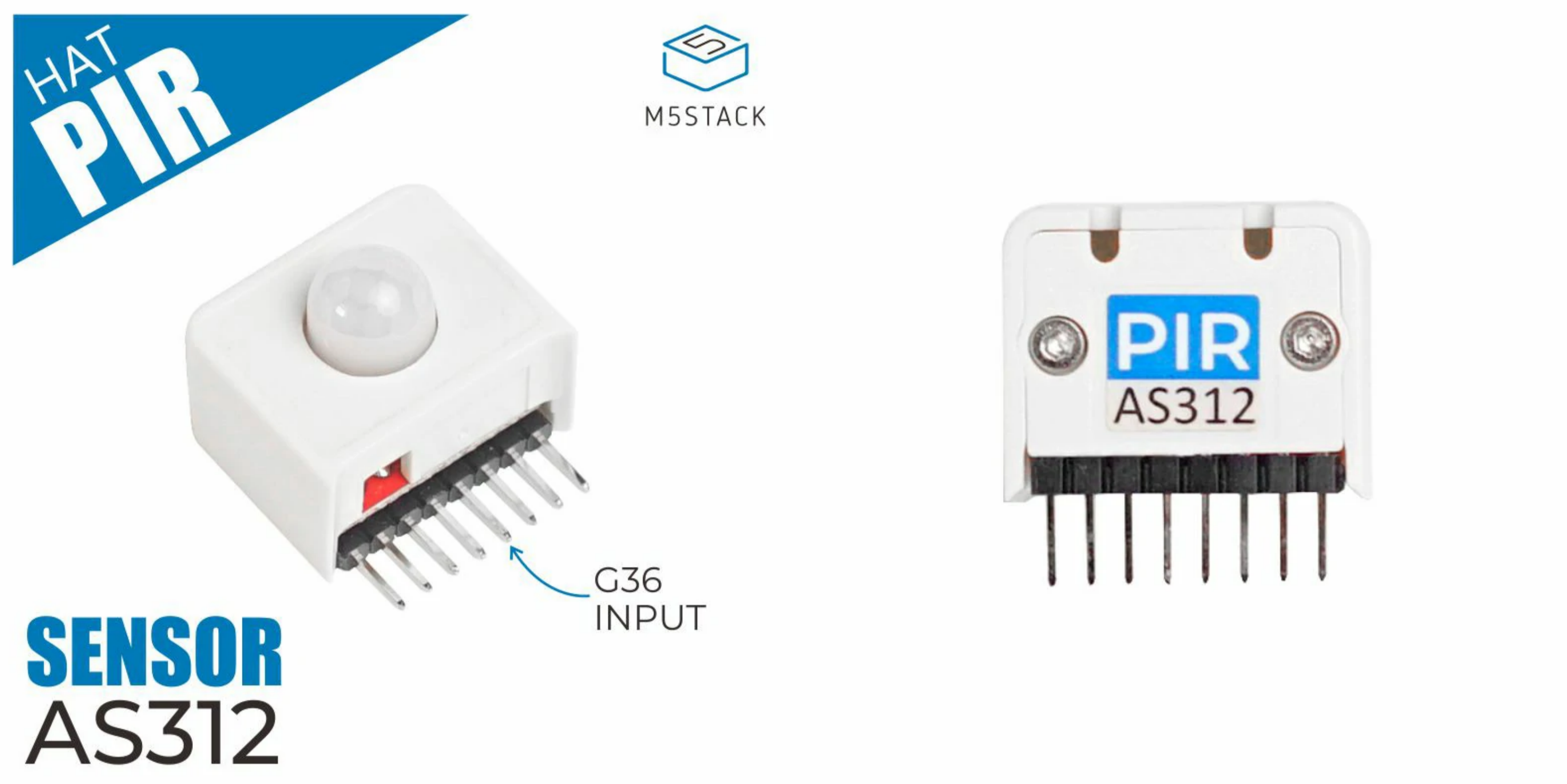


# PIR HAT

SKU:U054



## Description

**PIR HAT** is an M5StickC compatible human body induction sensor, it belongs to "Passive pyroelectric infrared detector", that detect the infrared come from the human body. When the infrared is detected, the sensor will output HIGH and last for two seconds until the next detecting round.

*Notice: There exist 2 seconds delay*

## Product Features

- Detecting Range: 500cm
- Delay time: 2s
- Induction Angle: < 100°
- IDDQ : < 60uA
- Op.T: -20 - 80 °C

## Include

- 1x PIR Hat

## Applications

- Human body induction lamp
- Security product
- Auto-induction

## Specification

Net weight

5g (net)

Gross weight

12g

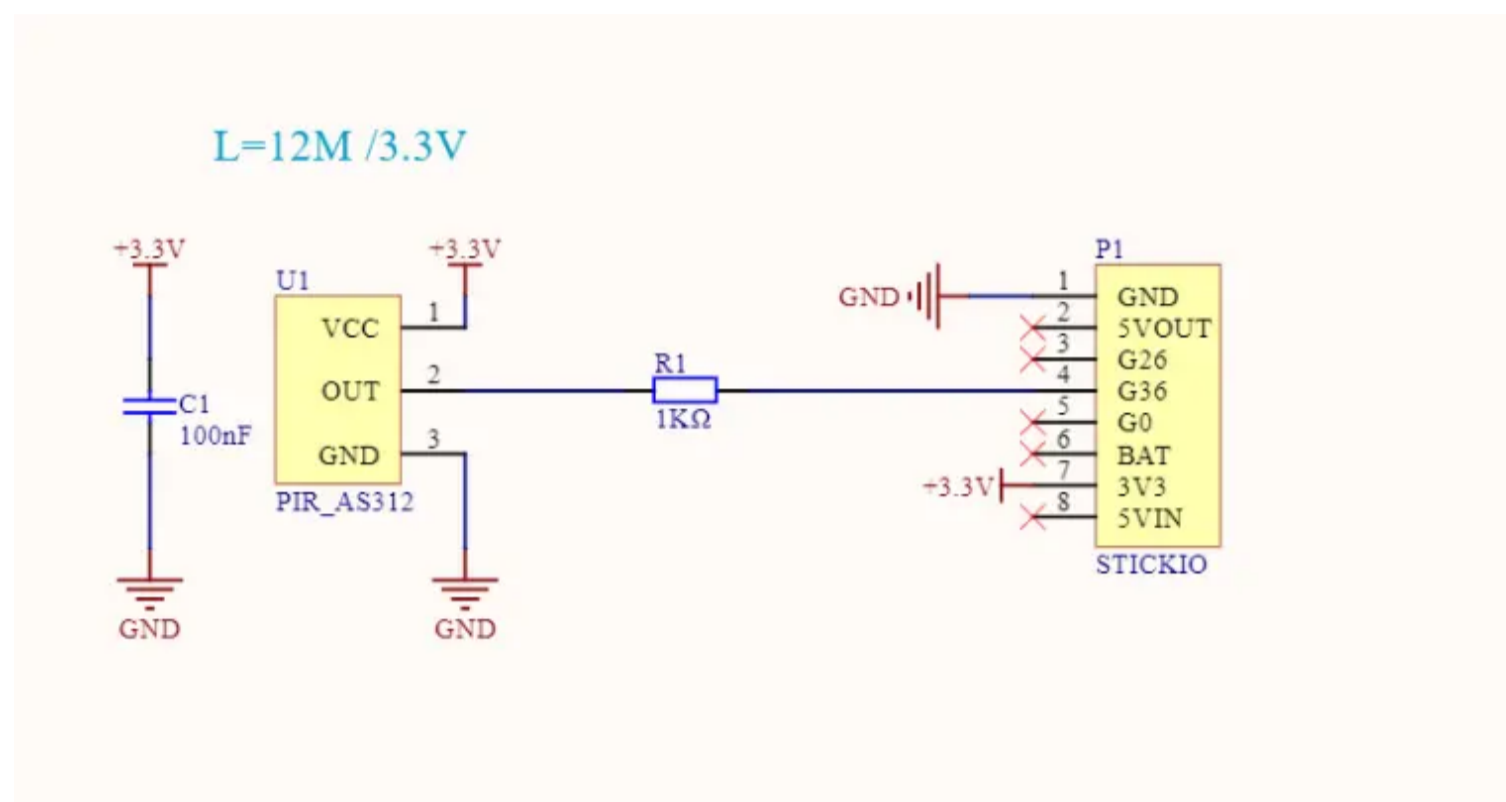
Product Size

24\*25\*20mm

Package Size

40\*42\*30mm

## Schematic

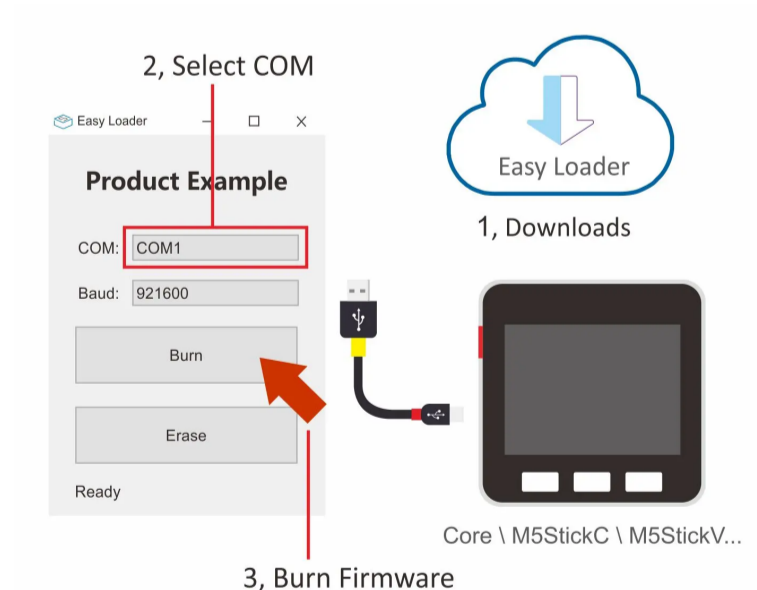


## Pin Map

M5StickC	GPIO36	5V	GND
HAT PIR	OUT	5V	GND

## EasyLoader

EasyLoader is a concise and fast program writer, which has a built-in case program related to the product. It can be burned to the main control by simple steps to perform a series of function verification. Please install the corresponding driver according to the device type. M5Core host [Please click here to view the CP210X driver installation tutorial](#), M5StickC/V/T/ATOM series can be used without driver)



Windows

MacOS

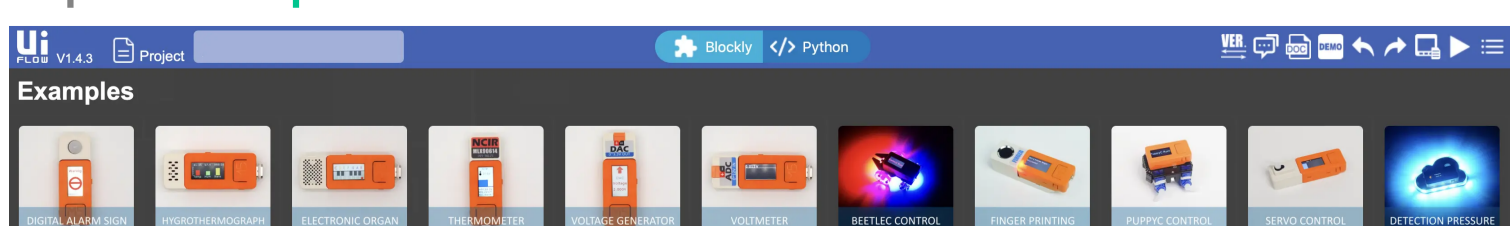
## Example

### 1. Arduino

Please click [here](#) to get complete code

### 2. UIFlow

Open <http://flow.m5stack.com> and click Demo to load



### PIR Hat

ModeA: Someone come closer a display will show content on the screen. The screen will turn off when detected nobody.

ModeB: Continuously display content on screen.

Button: Switch MODE

[Load](#)

## X-ON Electronics

Largest Supplier of Electrical and Electronic Components

*Click to view similar products for [Infrared Detectors](#) category:*

*Click to view products by [M5Stack](#) manufacturer:*

Other Similar products are found below :

[HOA6517-001](#) [HOA6540-001](#) [HOA6542-001](#) [HOA6571-001](#) [HOA6572-001](#) [HOA6489-050](#) [HOA6531-001](#) [HOA6532-001](#) [HOA6546-001](#)  
[HOA6570-001](#) [HOA6573-001](#) [HOA6536-001](#) [HOA6548-001](#) [HOA6544-001](#) [G-TPCO-035](#) [ZTP-135L](#) [ZTP-135BS](#) [ZTP-101T](#) [ZTP-115M](#)  
[ZTP-115-Std](#) [ZTP-135](#) [ZTP-135SR](#) [ZTP-148SR](#) [ZTP-148SRC1](#) [USEQFCEA500100](#) [USEQFCEA455100](#) [USEQFCEA391100](#)  
[USEQFCEA448100](#) [USEQFCSA448100](#) [USEQFCSA500100](#) [USEQFCSA435100](#) [USEQFCSA550100](#) [USEQFCSA455100](#)  
[USEQFCSA391100](#) [USEQFCSA338100](#) [U054](#) [IML-0687](#) [IRA-S200ST01A01](#) [IRA-S220ST01A01](#) [IRA-S400ST01A01](#) [EPR44112](#)  
[EPR44212](#) [ePR44282](#) [EPY12111](#) [EPY12121](#) [EPY12211](#) [EPY12221](#) [EPY12241](#) [EPY12251](#) [EPY12261](#)