

HEART RATE HAT

SKU:U118



Description

HEART RATE HAT is a blood oxygen heart rate sensor. Integrate **MAX30102** to provide a complete pulse oximeter and heart rate sensor system solution. This is a non-pluggable blood oxygen heart rate sensor. The sensor uses I2C communication interface, internally integrates infrared light-emitting diodes, photodetectors, optical components and low-noise electronic equipment. A certain amount of ambient light suppression function can make the measurement results more accurate. .

Instructions: After the program is running, place your finger on the test area with a stable and fixed pressure.

Product Features

- Heart rate monitor and pulse oximeter sensor
- LED reflective solutions
- Integrated protective glass, sturdy and durable performance
- Programmable sampling rate and LED current
- Fast data output capability
- High sampling rate
- Strong elasticity of motion artifacts
- High signal-to-noise ratio

Include

- 1x HEART RATE HAT
- 1x Double-sided tape

Applications

- Wearable device
- Heart rate blood oxygen collector
- Smart Medical

Specification

Resources	Parameter
Sensor model	MAX30102
Communication protocol	I2C: 0x57
Operating Voltage	3.3V
Net weight	5.1g
Gross weight	12.7g
Product Size	25*24*14mm
Package Size	40*40*30mm
Case Material	Plastic (PC)

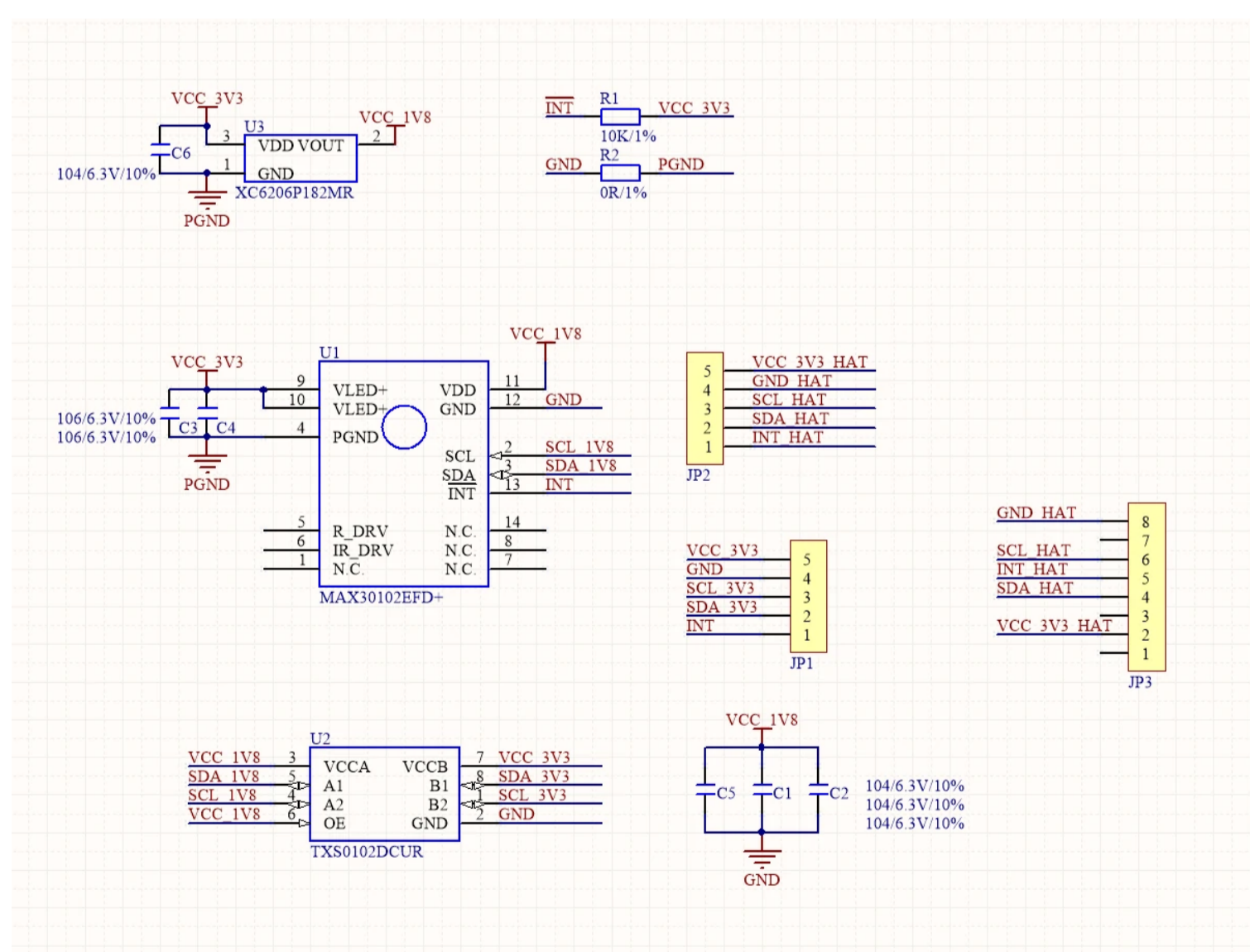
Related Link

- [Datasheet](#)
 - [MAX30102](#)

PinMap

M5StickC	GPIO26	GPIO0	3.3V	GND
HEART RATE HAT	SCL	SDA	3.3V	GND

Schematic

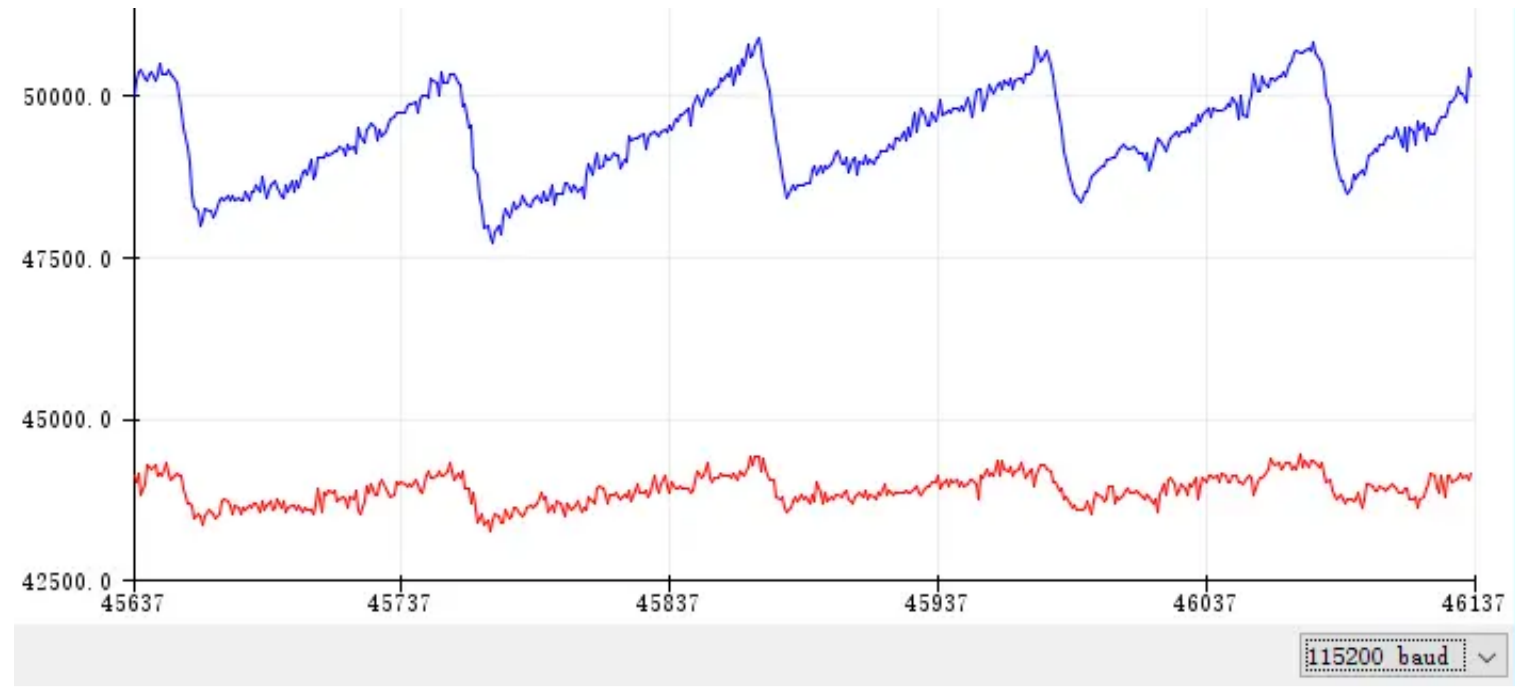


Example

Arduino

- [Arduino Example Code / M5StickC Plus with HEART RATE HAT](#)





Video

X-ON Electronics

Largest Supplier of Electrical and Electronic Components

Click to view similar products for [Multiple Function Sensor Modules](#) category:

Click to view products by [M5Stack](#) manufacturer:

Other Similar products are found below :

[AD5T](#) [MM7150-AB1](#) [SIBA5-JRAB-DKL](#) [2314277-1](#) [HS4011](#) [5046](#) [RD298HPTX2](#) [2316851-1](#) [1-2314277-2](#) [1-2314291-1](#) [2316852-1](#)
[2331211-3](#) [2316852-2](#) [2316851-2](#) [1-2314277-1](#) [4692](#) [CS-20SHSS-A](#) [CS-125HSS-A](#) [CS-95SSS-A](#) [eATVS-4](#) [eATVS-8](#) [WISE-2410-NB](#)
[WISE-S100-A](#) [EK6-PSX](#) [NGM_1](#) [TRDU5](#) [SKU-7000](#) [BHI260AP](#) [SCD](#) [SHSQP360L](#) [cs-iq-motor-01](#) [DFR0759](#) [DFR0760](#) [SEN0161-V2](#)
[SEN0169-V2](#) [SEN0335](#) [SEN0375](#) [SEN0433](#) [SEN0438](#) [SEN0460](#) [FSM-IMX547C/C01-Bundle-V1B](#) [FSM-IMX547M/C01-Bundle-V1B](#)
[SA1P-UC24V](#) [LFS1K0.1107.2I.B.070-6.S](#) [LFS1K0.1305.6W.B.010-6](#) [LFS1K0.1505.6W.B.010-6](#) [V-Link-200](#) [U001-C](#) [U053-D](#) [U101](#)