

Features

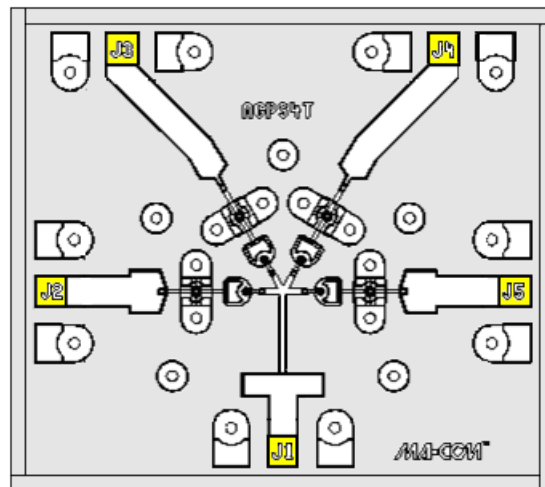
- Ultra Broad Bandwidth: 50 MHz to 50 GHz
- Functional Bandwidth: 50 MHz to 70 GHz
- 0.7 dB Insertion Loss
- 32 dB Isolation @ 50 GHz
- Low Current Consumption:
 - 10mA for low loss state
 - +10mA for Isolation state
- MACOM's unique AlGaAs hetero-junction anode technology
- Silicon Nitride Passivation
- Polymer Scratch Protection
- RoHS Compliant* and 260°C Reflow Compatible

Description

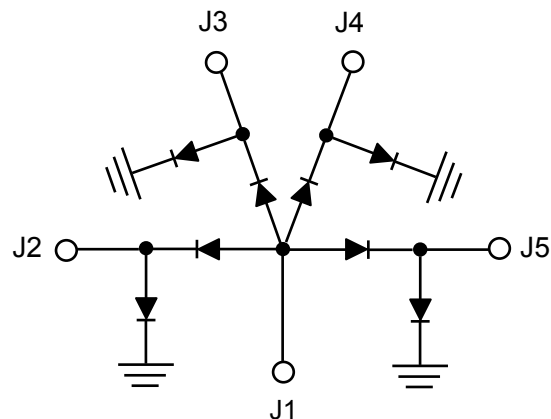
The MA4AGSW4 is an Aluminum-Gallium-Arsenide, single pole, four throw (SP4T), PIN diode switch. The switch features enhanced AlGaAs anodes which are formed using MACOM's patented hetero-junction technology. This technology produces a switch with less loss than conventional GaAs processes. As much as a 0.3 dB reduction in insertion loss can be realized at 50 GHz. These devices are fabricated on an OMCVD epitaxial wafer using a process designed for high device uniformity and extremely low parasitics. The diodes themselves exhibit low series resistance, low capacitance, and fast switching speed. They are fully passivated with silicon nitride and have an additional polymer layer for scratch protection. The protective coating prevents damage to the diode junction and anode air-bridges during handling and assembly. Off chip bias circuitry is required.

Applications

The high electron mobility of AlGaAs and the low capacitance of the PIN diodes makes this switch ideal for fast switching, high frequency, multi-throw switch designs. These AlGaAs PIN switches are used in switching arrays for radar systems, radiometers, test equipment and other multi-assembly components.



Yellow areas indicate bond pads



Ordering Information

Part Number	Package
MA4AGSW4	Waffle Pack

* Restrictions on Hazardous Substances, European Union Directive 2011/65/EU.

Electrical Specifications: $T_A = +25^\circ\text{C}$, +/-10 mA Bias Current (on wafer measurements)

Parameter	Test Conditions	Units	Min.	Typ.	Max.
Insertion Loss	0.05 - 18 GHz 18 - 50 GHz	dB	—	0.7 1.0	0.8 1.4
Isolation	0.05 - 18 GHz 18 - 50 GHz	dB	25 25	41 32	—
Input Return Loss	0.05 - 18 GHz 18 - 50 GHz	dB	10 10	21 22	—
Output Return Loss	0.05 - 18 GHz 18 - 50 GHz	dB	10 10	26 17	—
Switching Speed ¹	10 GHz	ns	—	20	—

1. Typical switching speed is measured from 10% to 90% of the detected RF voltage driven by a TTL compatible driver. Driver output parallel RC network uses a capacitor between 390 - 560 pF and a resistor between 150 - 220 Ω to achieve 20 ns rise and fall times.

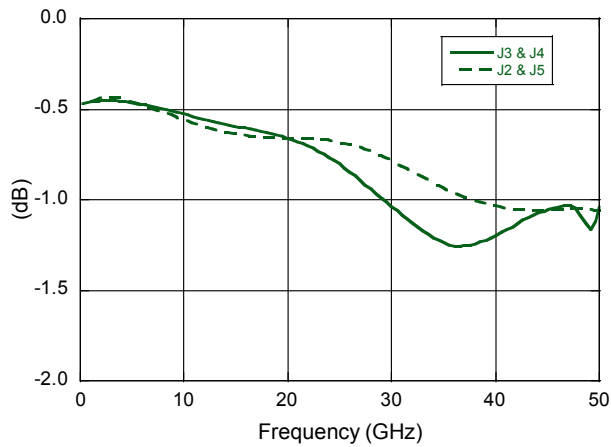
Absolute Maximum Ratings^{2,3}: $T_A = +25^\circ\text{C}$

Parameter	Absolute Maximum
Breakdown Voltage	25 V
Bias Current	± 25 mA
Incident C.W. RF Power	+23 dBm C.W. @ 10 mA, +85°C
Junction Temperature	+175°C
Operating Temperature	-55°C to +125°C
Storage Temperature	-55°C to +150°C
Assembly Temperature	+300°C <10 seconds

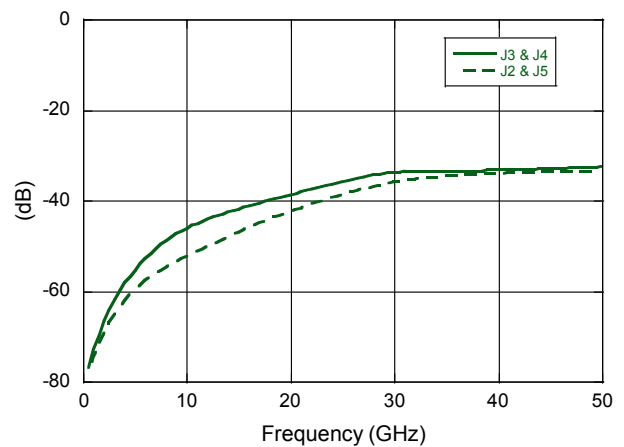
2. Exceeding any one or combination of these limits may cause permanent damage to this device.
 3. MACOM does not recommend sustained operation near these survivability limits.

Typical RF Performance Curves: @ +25°C (Probed on Wafer)

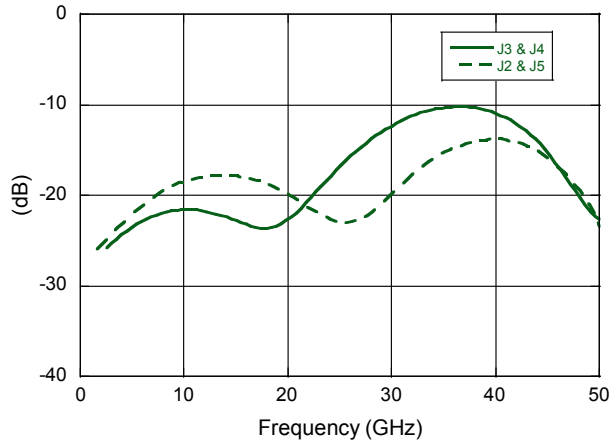
Insertion Loss



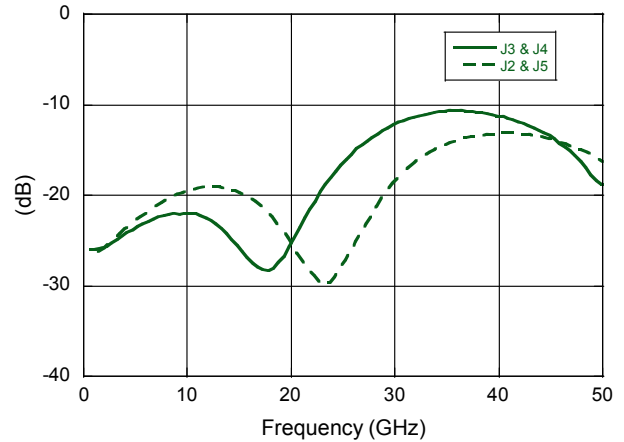
Isolation



Input Return Loss



Output Return Loss



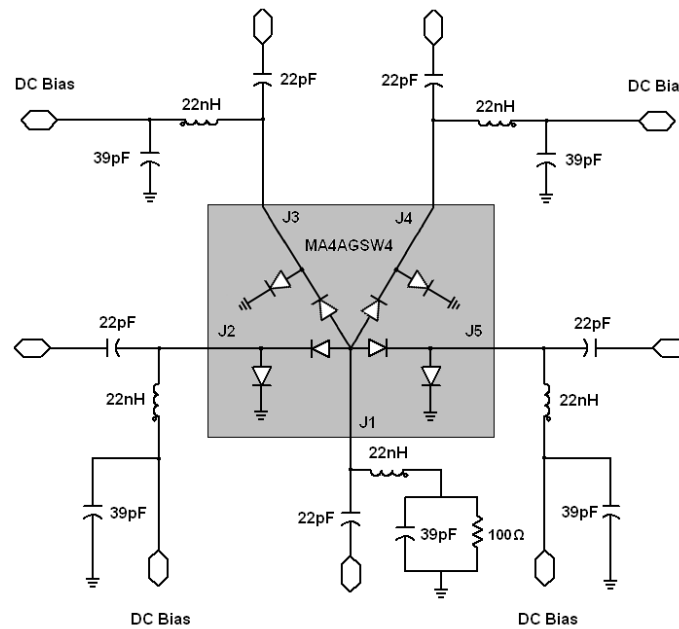
Operation of the MA4AGSW4 Switch

The simultaneous application of a negative DC current to the low loss port and positive DC current to the remaining isolated switching ports is required for the operation of the MA4AGSW4, AlGaAs, PIN switch. The backside area of the die is the RF and DC return ground plane. The DC return is connected to the common port J1. The forward bias voltage at J2, J3, J4 & J5 will not exceed ± 1.6 volts and is typically ± 1.4 volts with supply current of ± 30 mA). In the low loss state, the series diode must be forward biased and the shunt diode reverse biased. While for the isolated port, the shunt diode is forward biased and the series diode is reverse biased. The bias network design shown below should yield >30 dB RF to DC isolation.

Available for use in conjunction with MACOM's line of AlGaAs switches are two, fully integrated, broadband, monolithic, bias networks which may be used as an alternative to the suggested individual component bias network shown below. Refer to datasheets for the MA4BN1840-1 and MA4BN1840-2 for additional information.

The lowest insertion loss, P1dB, IP3, and switching speed is achieved by using a voltage pull-up resistor in the DC return path, (J1). A minimum value of $|-2\text{ V}|$ is recommended at this return node, which is achievable with a standard, ± 5 V TTL Controlled PIN Diode Driver.

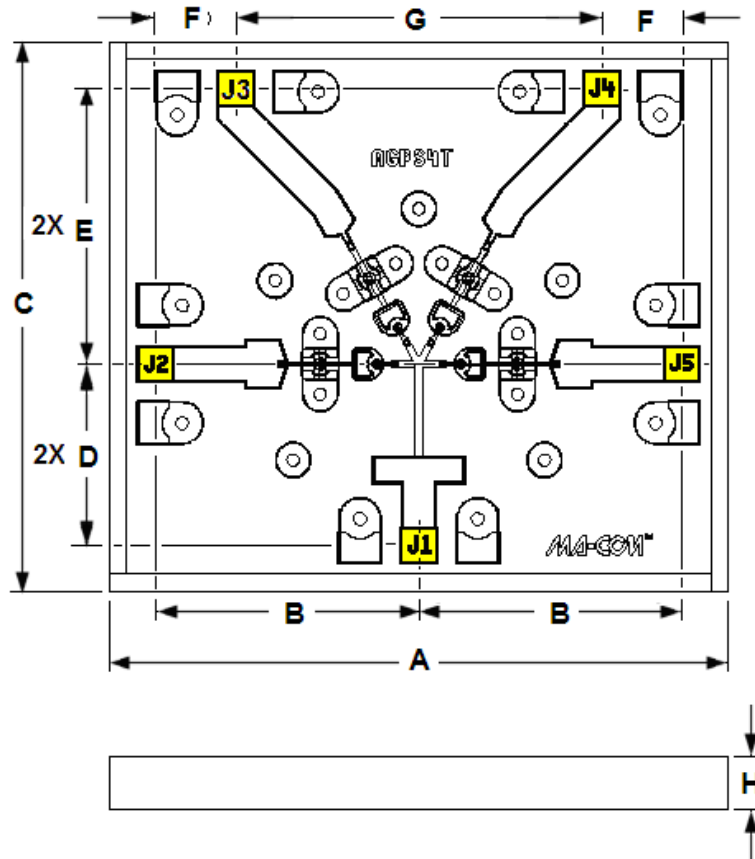
MA4AGSW4 Schematic with a Typical External 2 - 18 GHz Bias Network



Typical Driver Connections

Control Levels (DC Current)				Condition of RF Output			
J2	J3	J4	J5	J2-J1	J3-J1	J4-J1	J5-J1
-10 mA	+10 mA	+10 mA	+10 mA	Low Loss	Isolation	Isolation	Isolation
+10 mA	-10 mA	+10 mA	+10 mA	Isolation	Low Loss	Isolation	Isolation
+10 mA	+10 mA	-10 mA	+10 mA	Isolation	Isolation	Low Loss	Isolation
+10 mA	+10 mA	+10 mA	-10 mA	Isolation	Isolation	Isolation	Low Loss

Chip Dimensions and Bonding Pad Locations (In Yellow)



Chip Dimensions

Dimension	mils			mm		
	Minimum	Nominal	Maximum	Minimum	Nominal	Maximum
A	66.0	67.0	68.0	1.676	1.702	1.727
B	28.5	29.0	29.5	0.724	0.737	0.749
C	50	60	61	1.270	1.524	1.549
D	19.5	20.0	20.5	0.495	0.508	0.521
E	29.5	30.0	30.5	0.749	0.762	0.775
F	8.5	9.0	9.5	0.216	0.229	0.241
G	39.5	40.0	40.5	1.003	1.016	1.029
H	3.5	4.0	4.5	0.089	0.102	0.114
PADS	3.5	4.0	4.5	0.089	0.102	0.114

Assembly Instructions

Cleanliness

These chips should be handled in a clean environment.

Static Sensitivity

These Devices are considered ESD Class 1A, HBM. Proper ESD techniques should be used when handling these devices.

Handling Procedures

The protective polymer coating on the active areas of the die provides scratch and impact protection, particularly for the metal air bridge, which contacts the diode's anode. Die should primarily be handled with vacuum pickup tools, or alternatively with plastic tweezers.

Assembly Techniques

The MA4AGSW4, AlGaAs device is designed to be mounted with electrically conductive silver epoxy or with a low temperature solder perform, which does not have a rich tin content.

Solder DIE Attach

Only solders which do not scavenge gold, such as 80/20, Au/Sn or Indalloy #2 is recommended. Do not expose die to temperatures >300°C for more than 10 seconds.

Electrical Conductive Epoxy DIE Attach

Use a controlled thickness of approximately 2 mils for best electrical conductivity and lowest thermal resistance. Cure epoxy per manufacturer's schedule. Typically 150°C for 1 hour.

Ribbon / Wire Bonding

Thermo-compression wedge or ball bonding may be used to attach ribbons or wire to the gold bonding pads. A 1/4 x 3 mil gold ribbon is recommended on all RF ports and should be kept as short as possible for the lowest inductance and best microwave performance. For more detailed handling and assembly instructions, see [Application Note M541](#), "Bonding and Handling Procedures for Chip Diode Devices".

MACOM Technology Solutions Inc. All rights reserved.

Information in this document is provided in connection with MACOM Technology Solutions Inc ("MACOM") products. These materials are provided by MACOM as a service to its customers and may be used for informational purposes only. Except as provided in MACOM's Terms and Conditions of Sale for such products or in any separate agreement related to this document, MACOM assumes no liability whatsoever. MACOM assumes no responsibility for errors or omissions in these materials. MACOM may make changes to specifications and product descriptions at any time, without notice. MACOM makes no commitment to update the information and shall have no responsibility whatsoever for conflicts or incompatibilities arising from future changes to its specifications and product descriptions. No license, express or implied, by estoppel or otherwise, to any intellectual property rights is granted by this document.

THESE MATERIALS ARE PROVIDED "AS IS" WITHOUT WARRANTY OF ANY KIND, EITHER EXPRESS OR IMPLIED, RELATING TO SALE AND/OR USE OF MACOM PRODUCTS INCLUDING LIABILITY OR WARRANTIES RELATING TO FITNESS FOR A PARTICULAR PURPOSE, CONSEQUENTIAL OR INCIDENTAL DAMAGES, MERCHANTABILITY, OR INFRINGEMENT OF ANY PATENT, COPYRIGHT OR OTHER INTELLECTUAL PROPERTY RIGHT. MACOM FURTHER DOES NOT WARRANT THE ACCURACY OR COMPLETENESS OF THE INFORMATION, TEXT, GRAPHICS OR OTHER ITEMS CONTAINED WITHIN THESE MATERIALS. MACOM SHALL NOT BE LIABLE FOR ANY SPECIAL, INDIRECT, INCIDENTAL, OR CONSEQUENTIAL DAMAGES, INCLUDING WITHOUT LIMITATION, LOST REVENUES OR LOST PROFITS, WHICH MAY RESULT FROM THE USE OF THESE MATERIALS.

MACOM products are not intended for use in medical, lifesaving or life sustaining applications. MACOM customers using or selling MACOM products for use in such applications do so at their own risk and agree to fully indemnify MACOM for any damages resulting from such improper use or sale.

X-ON Electronics

Largest Supplier of Electrical and Electronic Components

Click to view similar products for [RF Switch ICs](#) category:

Click to view products by [MACOM](#) manufacturer:

Other Similar products are found below :

[MASW-008853-TR3000](#) [BGS13SN8E6327XTSA1](#) [BGSX210MA18E6327XTSA1](#) [SKY13446-374LF](#) [SW-227-PIN](#) [CG2185X2](#) [CG2415M6](#)
[MA4SW410](#) [MA4SW410B-1](#) [MASW-002102-13580G](#) [MASW-008543-001SMB](#) [MASW-008955-TR3000](#) [TGS4307](#) [BGS 12PL6 E6327](#)
[BGS1414MN20E6327XTSA1](#) [BGS1515MN20E6327XTSA1](#) [BGSA11GN10E6327XTSA1](#) [BGSX28MA18E6327XTSA1](#) [HMC199AMS8](#)
[HMC986A](#) [SKY13374-397LF](#) [SKY13453-385LF](#) [CG2430X1-C2](#) [CG2415M6-C2](#) [HMC986A-SX](#) [SW-314-PIN](#) [UPG2162T5N-E2-A](#)
[SKY13416-485LF](#) [MASWSS0204TR-3000](#) [MASWSS0201TR](#) [MASWSS0181TR-3000](#) [MASW-007588-TR3000](#) [MASW-004103-13655P](#)
[MASW-003102-13590G](#) [MASWSS0202TR-3000](#) [MA4SW310B-1](#) [MA4SW110](#) [SW-313-PIN](#) [CG2430X1](#) [SKY13321-360LF](#) [SKY13405-](#)
[490LF](#) [BGSF 18DM20 E6327](#) [MMS008PP3](#) [BGS13PN10E6327XTSA1](#) [SKY13319-374LF](#) [BGS14PN10E6327XTSA1](#) [SKY12213-478LF](#)
[SKY13404-466LF](#) [MASW-011060-TR0500](#) [SKYA21024](#)