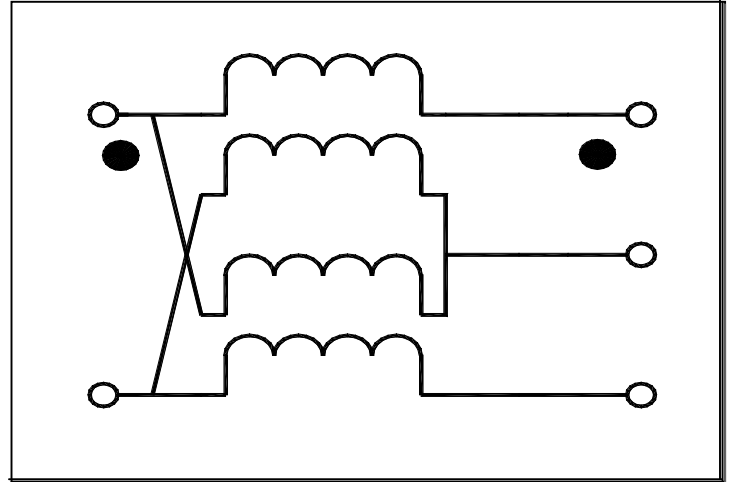




### Features

- Surface mount
- 4:1 Impedance
- CT on Secondary
- Available on Tape & Reel

### Functional Schematic



### Description

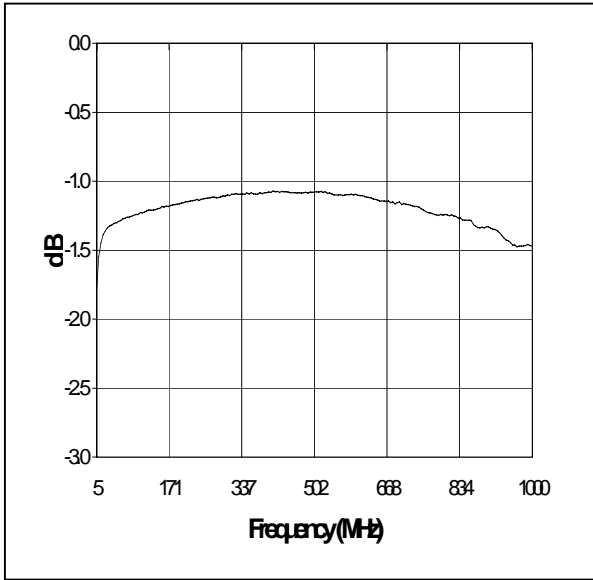
M/A Com's MABAES0054 is a 4:1 RF transmission line transformer in a low cost, surface mount package. Ideally suited for high volume applications.

### Electrical Specifications @ 25°C

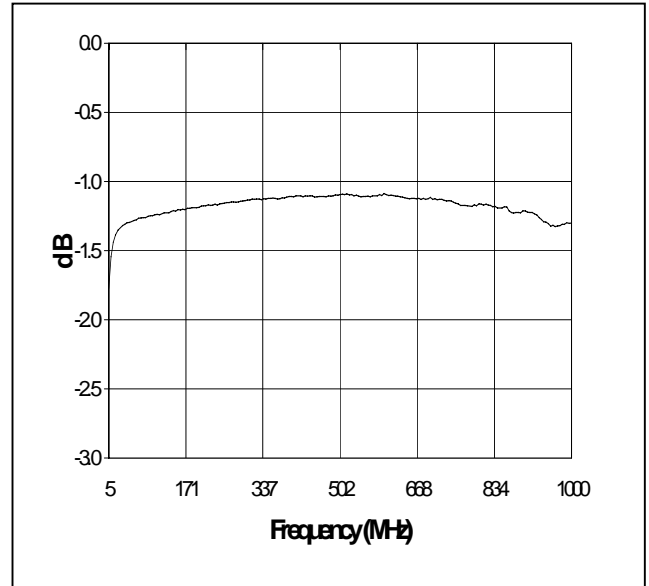
Parameter	Test Conditions	Units	Min.	Typ.	Max.
Frequency Range	5-1000	MHz	—	—	—
Insertion Loss	5-50 MHz	dB	—	1.5	2.0
	50-879 MHz	dB	—	1.0	1.5
	879-1000 MHz	dB	—	1.5	2.0
Amplitude Unbalance	5-1000 MHz	dB	—	0.25	0.5
Phase Unbalance	5-500 MHz	Degrees	—	4.0	8.0
	500-1000 MHz	Degrees	—	8.0	12.0

Note: Specifications subject to change without notice.

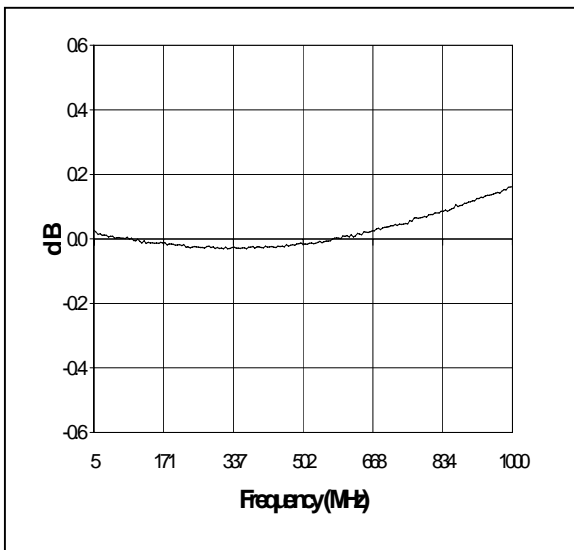
Insertion Loss



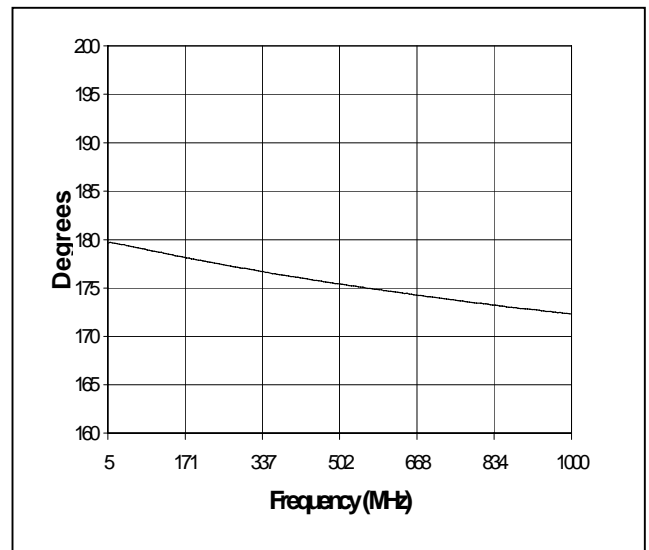
Secondary Insertion Loss



Amplitude Unbalance



Phase Unbalance



Specifications subject to change without notice.

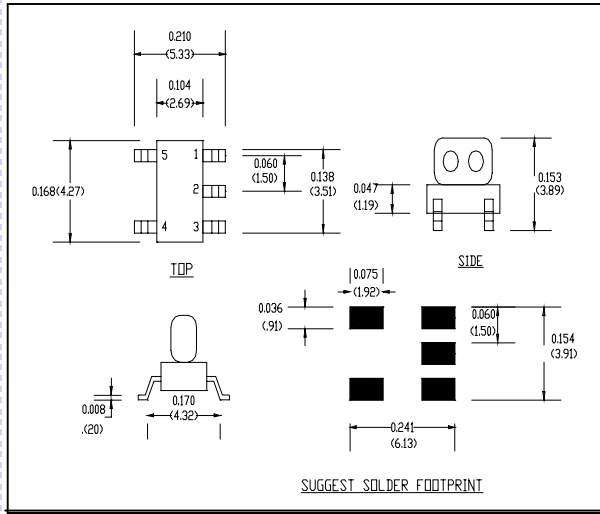
- North America: Tel. (800) 366-2266, Fax (800) 618-8883
- Asia/Pacific: Tel.+81-44-844-8296, Fax +81-44-844-8298
- Europe: Tel. +44 (1344) 869 595, Fax+44 (1344) 300 020

Visit [www.macom.com](http://www.macom.com) for additional data sheets and product information.



V1.01

**Recommended PCB Configuration**



**Pin Configuration**

Pin No.	Pin Name
Secondary Dot	1
Secondary CT	2
Secondary	3
Primary	4
Primary Dot	5
Primary CT	-
Case Ground	-
Not Connected	-

**Absolute Maximum Ratings**

Parameter	Absolute Maximum
RF Power	250 mW
Peak IF Current	40 mA
Storage Temperature	-40°C to +85° C
Operating Temperature	-40°C to +85° C
Pin Temperature (10 Seconds)	260° C

V1.01

Specifications subject to change without notice.

- North America: Tel. (800) 366-2266, Fax (800) 618-8883
- Asia/Pacific: Tel.+81-44-844-8296, Fax +81-44-844-8298
- Europe: Tel. +44 (1344) 869 595, Fax+44 (1344) 300 020

Visit [www.macom.com](http://www.macom.com) for additional data sheets and product information.



## X-ON Electronics

Largest Supplier of Electrical and Electronic Components

*Click to view similar products for [Signal Conditioning](#) category:*

*Click to view products by [MACOM](#) manufacturer:*

Other Similar products are found below :

[MAPDCC0001](#) [MAPDCC0004](#) [PD0409J5050S2HF](#) [HHS-109-PIN](#) [AFS14A35-1591.50-T3](#) [DS-323-PIN](#) [DSS-313-PIN](#) [1A0220-3](#) [JP510S](#)  
[LFB322G45SN1A504](#) [SF2159E](#) [30057](#) [FM-104-PIN](#) [CER0813B](#) [MAPDCC0005](#) [3A325](#) [40287](#) [BD0810N50100AHF](#) [JHS-115-PIN](#)  
[DC0710J5005AHF](#) [DC2327J5005AHF](#) [LFB2H2G60BB1C106](#) [LFL15869MTC1B787](#) [X3C19F1-20S](#) [XC3500P-20S](#) [10013-20](#) [SF2194E](#)  
[CDBLB455KCAX39-B0](#) [RF1353C](#) [051157-0000](#) [1E1305-3](#) [1F1304-3S](#) [1G1304-30](#) [B0922J7575AHF](#) [2020-6622-20](#) [10017-3](#) [TP-103-PIN](#)  
[BD1222J50200AHF](#) [BD1722J50100AHF](#) [2450DP39K5400E](#) [BD0810J50150AHF](#) [BD1722J50200AHF](#) [DSS-113-PIN](#) [DS-327-PIN](#) [MACP-](#)  
[008125-CK07F0](#) [DS-329-PIN](#) [DS-313-PIN](#) [TP-104-PIN](#) [TP-101-PIN](#) [HHS-110-PIN](#)