

## Features

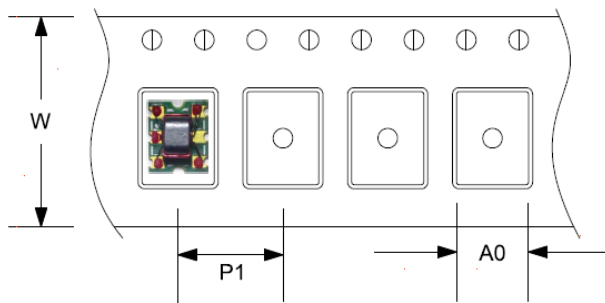
- 20 dB Coupling Ratio
- Surface Mount
- Available on Tape and Reel
- Excellent Temperature Stability
- RoHS Compliant and lead free
- 260°C Reflow Compatible

## Description

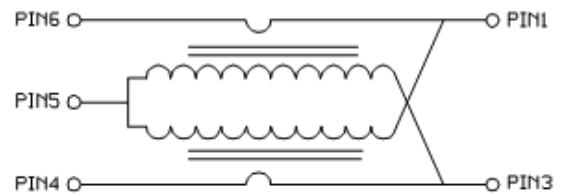
The MACP-011013 is a 20 dB coupler in a low cost, surface mount package. Ideally suited for broadband CATV applications.



## Carrier Tape Orientation



## Functional Schematic



## Ordering Information

Part Number	Description
MACP-011013	900 piece reel
MACP-011013-TB	Sample Test Board

## Pin Configuration

Pin No.	Function
1	Output
2	Not Connected
3	Isolated
4	Coupled
5	Ground
6	Input

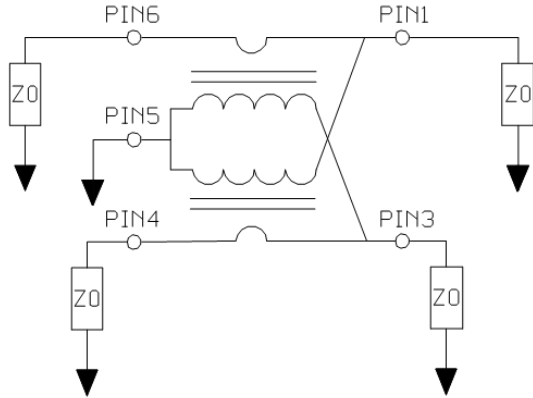
**Electrical Specifications:  $T_A = 25^\circ\text{C}$ ,  $Z_0 = 75 \Omega$ ,  $P_{in} = 0 \text{ dBm}$**

Parameter	Conditions	Units	Min.	Typ.	Max.
Frequency Range	—	MHz	5	—	1500
Impedance	—	$\Omega$	—	75	—
Coupling Ratio	—	dB	—	20	—
Coupling (Pin 6, Pin 4)	5 - 700 MHz 700 - 1200 MHz 1200 - 1500 MHz	dB	20.5 20.5 20.5	20.0 20.0 20.0	19.5 18.5 17.7
Coupling Flatness	5 - 1218 MHz 5 - 1500 MHz	dB	—	0.5 0.7	0.7 0.9
Coupling Tilt	5 - 1218 MHz 5 - 1500 MHz	dB	—	1.55 2.00	1.7 2.3
Main Line Loss (Pin 6, Pin 1)	5 - 1250 MHz 1250 - 1500 MHz	dB	0.4 0.4	0.57 0.93	0.85 1.20
Isolation (Pin 6, Pin 3)	5 - 1250 MHz 1250 - 1500 MHz	dB	26 23	27 24	—
Input Return Loss (Pin 6)	5 - 1250 MHz 1250 - 1500 MHz	dB	20 17	22 19	—
Output Return Loss (Pin 1)	5 - 1250 MHz 1250 - 1500 MHz	dB	20 17	22 19	—
Coupling Return Loss (Pin 4)	5 - 1250 MHz 1250 - 1500 MHz	dB	19 17	22 19	—

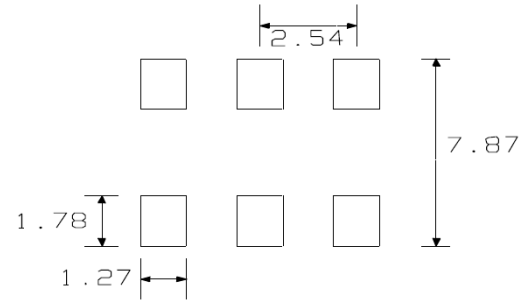
## Absolute Maximum Ratings

Parameter	Absolute Maximum
Input Power	0.5 W
DC Current	500 mA
Operating Temperature	$-40^\circ\text{C}$ to $+85^\circ\text{C}$

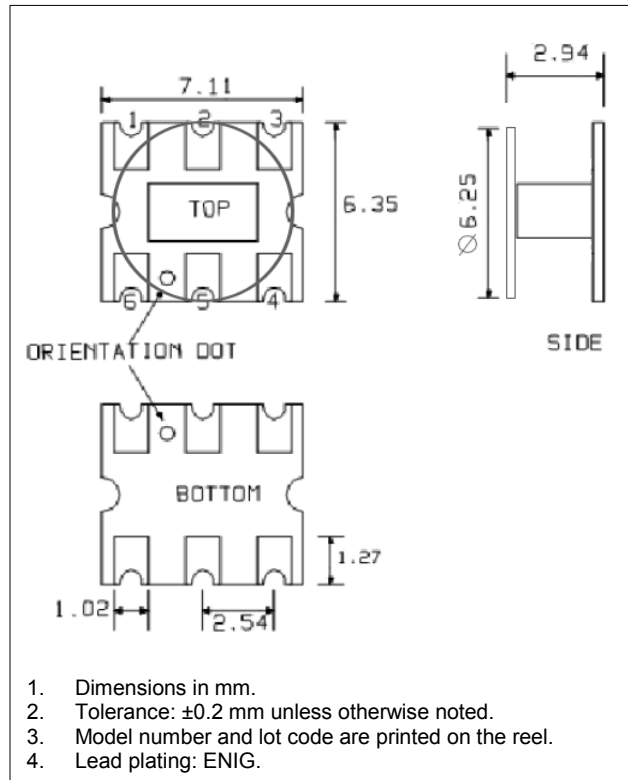
## Application Circuit



## PCB Layout



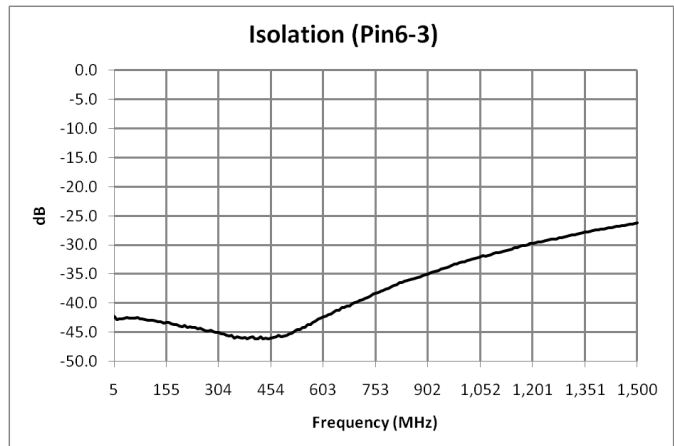
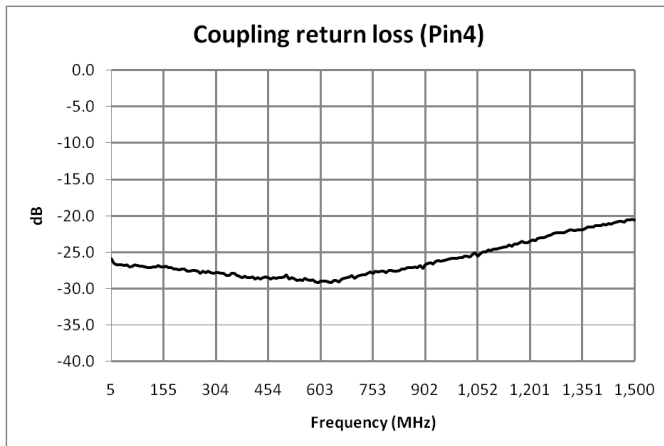
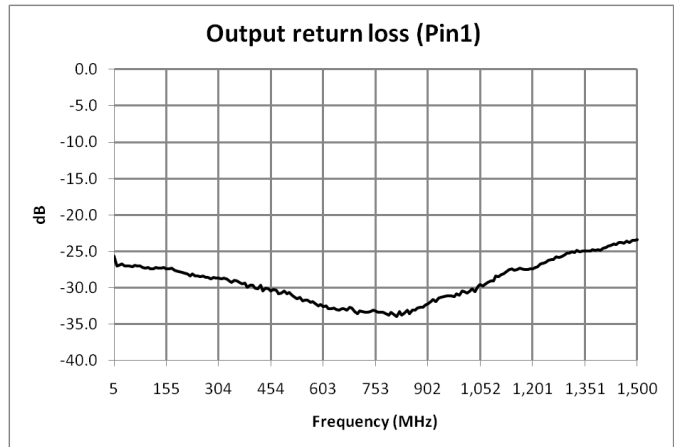
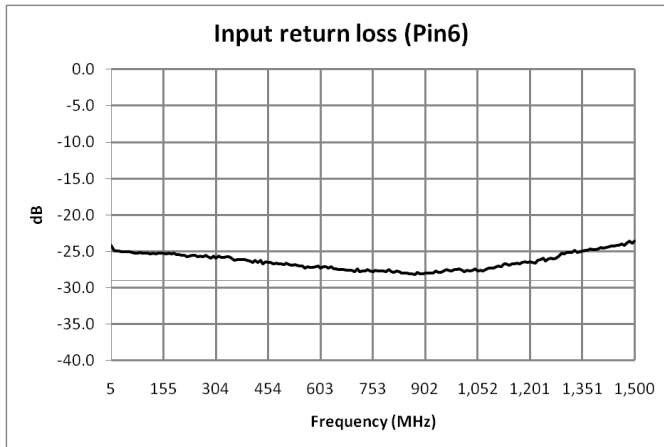
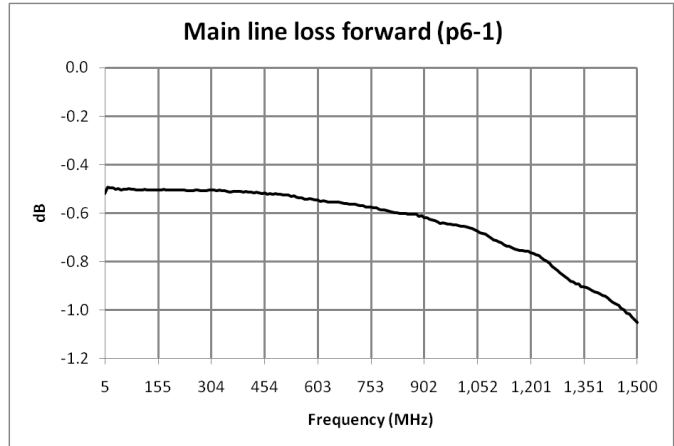
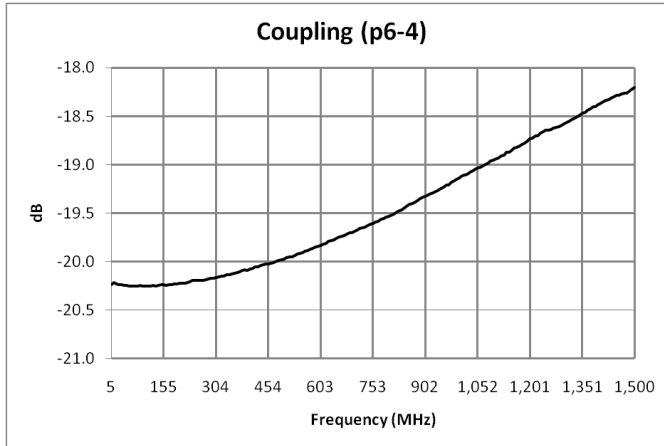
## Outline Drawing



## Tape & Reel Information

Parameter	Units	Value
Qty per reel	-	900
Reel Size	mm	330
Tape Width	mm	16.0
Pitch	mm	12.0
Ao	mm	6.7
Bo	mm	7.4
Ko	mm	3.1
Orientation	-	F33
Reference Application Note ANI-019 for orientation		

## Typical Performance Curves<sup>1</sup>



1. Full temperature plots available on request.

**“Application Section for Alternative Pin Configuration”**

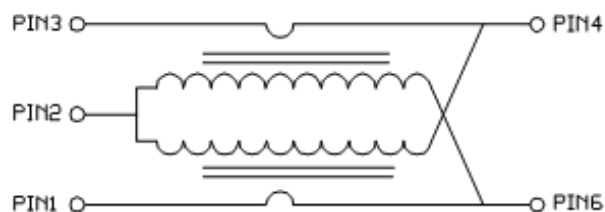
**Electrical Specifications:  $T_A = 25^\circ\text{C}$ ,  $Z_0 = 75 \Omega$ ,  $P_{in} = 0 \text{ dBm}$**

Parameter	Conditions	Units	Min.	Typ.	Max.
Frequency Range	-	MHz	5	—	1500
Impedance	-	$\Omega$	-	75	-
Coupling Ratio	-	dB	-	20	-
Coupling (Pin 1 - Pin 3)	5 - 700 MHz 700 - 1200 MHz 1200 - 1500 MHz	dB	- - -	20.0 20.0 20.0	- - -
Coupling Flatness	5 - 1218 MHz 5 - 1500 MHz	dB	-	0.5 0.7	- -
Coupling Tilt	5 - 1218 MHz 5 - 1500 MHz	dB	-	1.55 2.00	- -
Main Line Loss (Pin 1 - Pin 6)	5 - 1250 MHz 1250 - 1500 MHz	dB	- -	0.57 0.93	- -
Isolation (Pin 1 - Pin 4)	5 - 1250 MHz 1250 - 1500 MHz	dB	- -	27 24	-
Input Return Loss (Pin 1)	5 - 1250 MHz 1250 - 1500 MHz	dB	- -	22 19	-
Output Return Loss (Pin 6)	5 - 1250 MHz 1250 - 1500 MHz	dB	- -	22 19	-
Coupling Return Loss (Pin 3)	5 - 1250 MHz 1250 - 1500 MHz	dB	- -	22 19	-

**Pin Configuration**

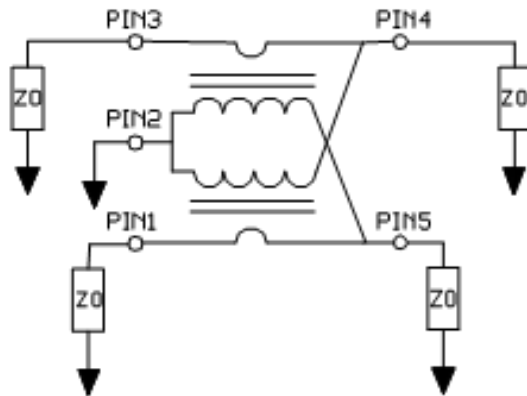
Pin No.	Function
1	Input
2	Ground
3	Coupled
4	Isolated
5	Not Connected
6	Output

**Functional Schematic**

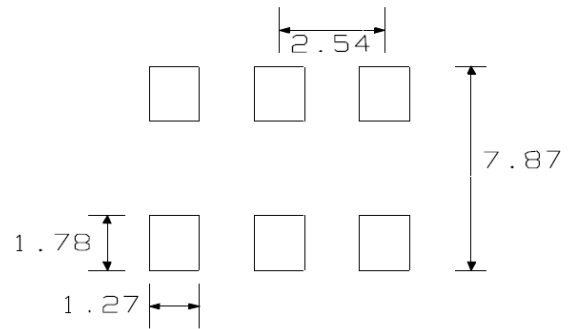


“Application Section for Alternative Pin Configuration”

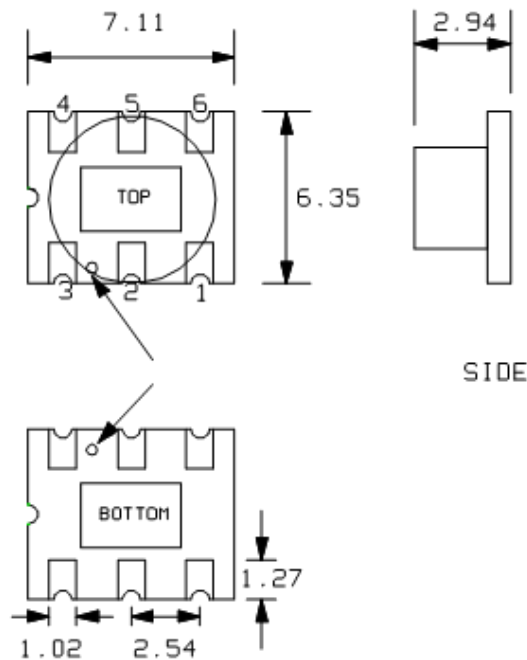
### Application Circuit



### PCB Layout



### Outline Drawing



1. Dimensions in mm.
2. Tolerance:  $\pm 0.2$  mm unless otherwise noted.

M/A-COM Technology Solutions Inc. All rights reserved.

Information in this document is provided in connection with M/A-COM Technology Solutions Inc ("MACOM") products. These materials are provided by MACOM as a service to its customers and may be used for informational purposes only. Except as provided in MACOM's Terms and Conditions of Sale for such products or in any separate agreement related to this document, MACOM assumes no liability whatsoever. MACOM assumes no responsibility for errors or omissions in these materials. MACOM may make changes to specifications and product descriptions at any time, without notice. MACOM makes no commitment to update the information and shall have no responsibility whatsoever for conflicts or incompatibilities arising from future changes to its specifications and product descriptions. No license, express or implied, by estoppel or otherwise, to any intellectual property rights is granted by this document.

THESE MATERIALS ARE PROVIDED "AS IS" WITHOUT WARRANTY OF ANY KIND, EITHER EXPRESS OR IMPLIED, RELATING TO SALE AND/OR USE OF MACOM PRODUCTS INCLUDING LIABILITY OR WARRANTIES RELATING TO FITNESS FOR A PARTICULAR PURPOSE, CONSEQUENTIAL OR INCIDENTAL DAMAGES, MERCHANTABILITY, OR INFRINGEMENT OF ANY PATENT, COPYRIGHT OR OTHER INTELLECTUAL PROPERTY RIGHT. MACOM FURTHER DOES NOT WARRANT THE ACCURACY OR COMPLETENESS OF THE INFORMATION, TEXT, GRAPHICS OR OTHER ITEMS CONTAINED WITHIN THESE MATERIALS. MACOM SHALL NOT BE LIABLE FOR ANY SPECIAL, INDIRECT, INCIDENTAL, OR CONSEQUENTIAL DAMAGES, INCLUDING WITHOUT LIMITATION, LOST REVENUES OR LOST PROFITS, WHICH MAY RESULT FROM THE USE OF THESE MATERIALS.

MACOM products are not intended for use in medical, lifesaving or life sustaining applications. MACOM customers using or selling MACOM products for use in such applications do so at their own risk and agree to fully indemnify MACOM for any damages resulting from such improper use or sale.

## X-ON Electronics

Largest Supplier of Electrical and Electronic Components

*Click to view similar products for [Signal Conditioning category](#):*

*Click to view products by [MACOM manufacturer](#):*

Other Similar products are found below :

[MAPDCC0001](#) [MAPDCC0004](#) [PD0409J5050S2HF](#) [880157](#) [HHS-109-PIN](#) [DC1417J5005AHF](#) [AFS14A30-2185.00-T3](#) [AFS14A35-1591.50-T3](#) [DS-323-PIN](#) [B39321R801H210](#) [1A0220-3](#) [JP510S](#) [LFB212G45SG8C341](#) [LFB322G45SN1A504](#) [LFL182G45TC3B746](#) [SF2159E](#) [30057](#)  
[FM-104-PIN](#) [CER0813B](#) [MAPDCC0005](#) [3A325](#) [40287](#) [41180](#) [ATB3225-75032NCT](#) [BD0810N50100AHF](#) [BD2425J50200AHF](#)  
[C5060J5003AHF](#) [JHS-115-PIN](#) [JP503AS](#) [DC0710J5005AHF](#) [DC2327J5005AHF](#) [DC3338J5005AHF](#) [43020](#) [LFB2H2G60BB1C106](#)  
[LFL15869MTC1B787](#) [X3C19F1-20S](#) [XC3500P-20S](#) [10013-20](#) [SF2194E](#) [CDBLB455KCAX39-B0](#) [TGL2208-SM, EVAL](#) [RF1353C](#)  
[PD0922J5050D2HF](#) [1E1305-3](#) [1G1304-30](#) [B0922J7575AHF](#) [2020-6622-20](#) [TP-102-PIN](#) [TP-103-PIN](#) [BD1222J50200AHF](#)