

Ka-Band High Power Terminated SPDT PIN Switch 20 - 44 GHz



MASW-011148

Rev. V1

Features

- Broadband Performance, 20 to 44 GHz
- Low Loss <0.9 dB
- High Isolation >36 dB
- Up to 13 W CW Power, +85°C
- Includes DC Blocks and RF Bias Networks
- 23 dBm power handling in terminated port
- Lead-Free 3 x 4 mm PQFN package
- RoHS* Compliant

Applications

- 5G
- Point-to-Point
- Radar
- Radiometers
- Test & Instrumentation
- High Frequency Applications

Description

The MASW-011148 is a high power SPDT PIN diode switch in 3 x 4 mm PQFN package. This broadband, high linearity, SPDT switch with 50 Ω terminated RF ports was developed for Ka-Band applications that require up to 13 Watts CW power handling at an environmental temperature of +85°C while maintaining low insertion loss and high isolation.

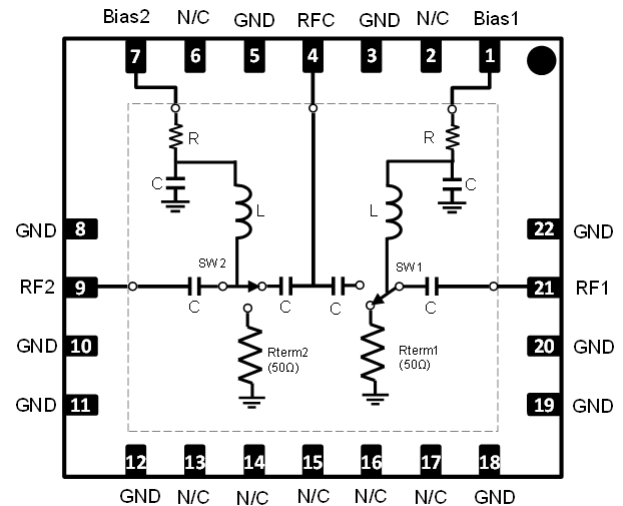
The SPDT MMIC utilizes MACOM's proven AlGaAs PIN diode technology.

Ordering Information^{1,2}

Part Number	Package
MASW-011148-TR0500	500 piece reel
MASW-011148-SMB	Sample Board

1. Reference Application Note M513 for reel size information.
2. All sample boards include 5 loose parts.

Functional Schematic



Pin Configuration³

Pin #	Function
1	BIAS 1
2, 6, 13, 14, 15, 16, 17	N/C
3, 5, 8, 10, 11, 12, 18, 19, 20, 22	GND
4	RFC
7	BIAS 2
9	RF2
21	RF1
23	Paddle ⁴

3. MACOM recommends connecting unused package pins to ground.
4. The exposed pad centered on the package bottom must be connected to RF, DC and thermal ground.

* Restrictions on Hazardous Substances, compliant to current RoHS EU directive.

Ka-Band High Power Terminated SPDT PIN Switch 20 - 44 GHz



MASW-011148

Rev. V1

Electrical Specifications:

Freq. = 20 - 44 GHz, $T_A = 25^\circ\text{C}$, $V_{CC} = +4\text{ V @ } 28\text{ mA} / -15\text{ V @ } 0\text{ mA}$, $Z_0 = 50\ \Omega$

Parameter	Test Conditions	Units	Min.	Typ.	Max.
Insertion Loss	21 - 28 GHz	dB	—	1.0	1.5
	28 - 33 GHz			0.9	1.6
	33 - 41 GHz			1.3	2.0
Isolation ⁵	21 - 28 GHz	dB	—	40	35
	28 - 33 GHz			40	35
	33 - 41 GHz			38	32
Input / Output Return Loss On state	21 - 28 GHz	dB	—	16	—
	28 - 33 GHz			18	
	33 - 41 GHz			15	
RF1, 2 Return Loss, Off state	21 - 28 GHz	dB	—	7	—
	28 - 33 GHz			11	
	33 - 41 GHz			14	
Switching Speed-T _{ON}	50% DC to 90% RF	ns	—	26	—
Switching Speed-T _{OFF}	50% DC to 10% RF	ns	—	27	—
Rise Time -T _{RISE}	10% to 90% RF	ns	—	8	—
Fall Time - T _{FALL}	90% to 10% RF	ns	—	11	—
CW Input Power ⁶	-25 V @ +85°C	dBm	—	41.2	—
DC Reverse Bias Voltage ⁶	—	V	-32	-15	-5
Reverse Bias Current ⁶	-15 V	nA	—	25	500
Forward Bias Current	+4 V	mA	23	26	28

5. Isolation defined with 1 port in low loss state.

6. DC Reverse bias voltage should be determined based on working conditions. For example, recommended min of -25 V @ 41.2 dBm input power. For lower power applications, a less negative voltage can be used. R. Caverly and G. Hiller, "Establishing the Minimum Reverse Bias for a P-I-N Diode in a High Power Switch," IEEE Transactions on Microwave Theory and Techniques, Vol.38, No.12, December 1990.

Ka-Band High Power Terminated SPDT PIN Switch 20 - 44 GHz



MASW-011148

Rev. V1

Absolute Maximum Ratings^{7,8}

Parameter	Absolute Maximum
DC Reverse Bias Voltage + RF Peak voltage	80 V
DC Reverse Bias Voltage	50 V
Forward Bias Current	60 mA (6 V)
CW Incident Power (Low Loss Port)	41.2 dBm @ +85°C 43.0 dBm @ +25°C
CW Incident Power (Terminated Port)	23 dBm @ +85°C 26 dBm @ +25°C
Operating Temperature	-40°C to +85°C
Storage Temperature	-65°C to +150°C

7. Exceeding any one or combination of these limits may cause permanent damage to this device.
8. MACOM does not recommend sustained operation near these survivability limits.

Truth Table

RF _{COMMON} Path	Bias 1	Bias 2
RF1 Insertion Loss RF2 Isolation	-15 V (0 mA)	+4 V (+26 mA)
RF2 Insertion Loss RF1 Isolation	+4 V (+26 mA)	-15 V (0 mA)

Handling Procedures

Please observe the following precautions to avoid damage:

Static Sensitivity

These electronic devices are sensitive to electrostatic discharge (ESD) and can be damaged by static electricity. Proper ESD control techniques should be used when handling these HBM Class 1A devices.

Ka-Band High Power Terminated SPDT PIN Switch 20 - 44 GHz

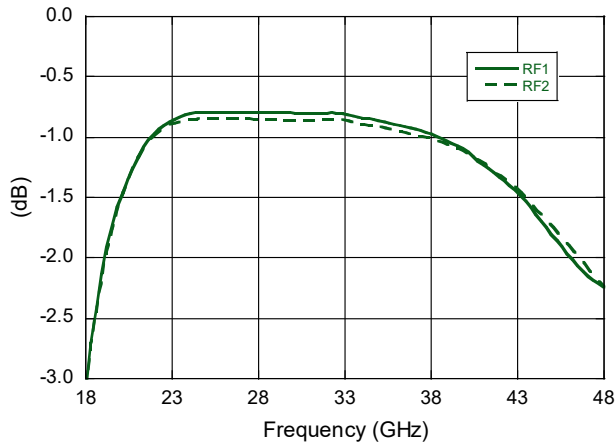


MASW-011148

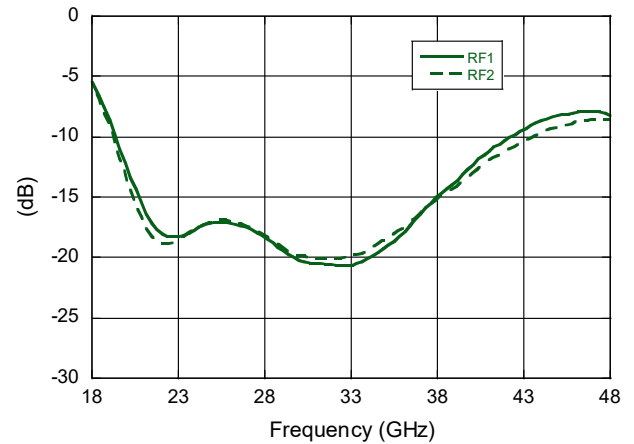
Rev. V1

Typical Performance Curves @ +25°C

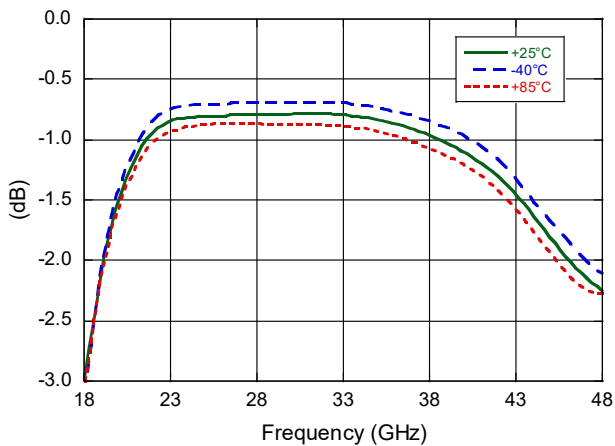
Insertion Loss (On State)



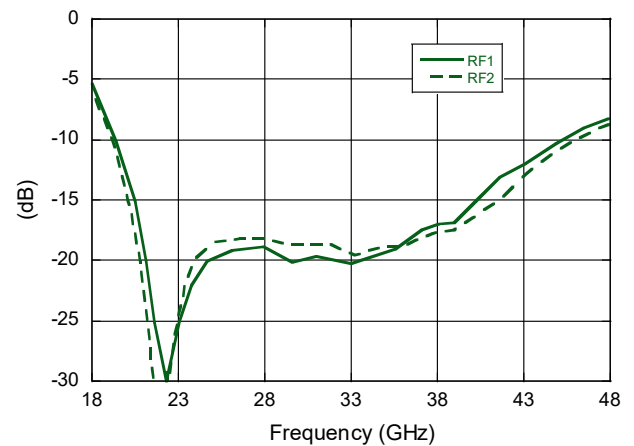
RF_{COMMON} Return Loss (On State)



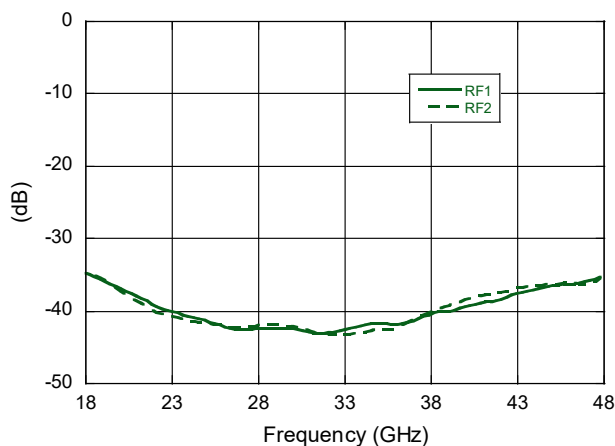
Insertion Loss (On State) over Temp



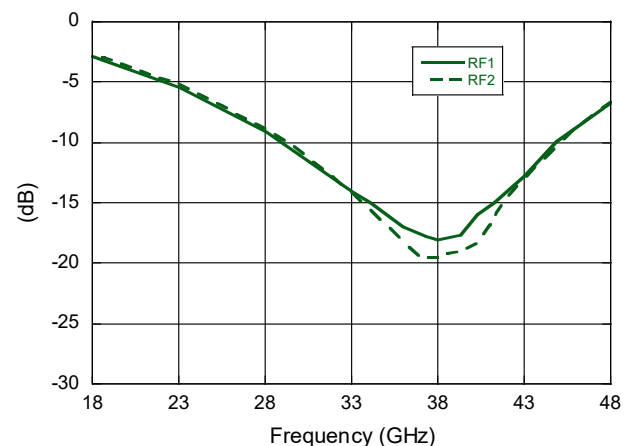
RF1, 2 Return Loss (On State)



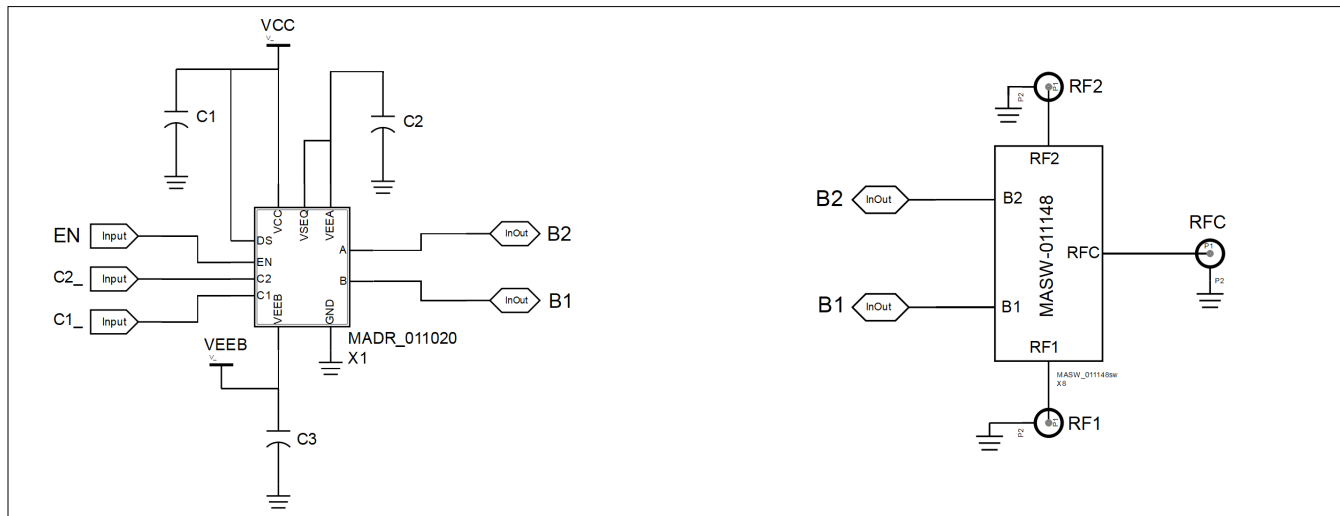
Isolation (Off State)



RF1, 2 Return Loss (Off State)



MASW-011048 with MADR-011020 / MADR-011022 Driver Application Schematic ⁹



9. V_{CC} at the driver should be 0.5 V higher than the required forward bias voltage 4 V at the bias switch input B1/B2.

Parts List

Part	Value
C1, C3	0.1 μ F
C2	47 pF

Minimum DC Reverse Bias Voltage¹⁰ with MADR-011022 Driver

Frequency (GHz)	DC Voltage (V) Bias1 & Bias2
26	-16
30	-14
34	-12
38	-11
40	-11

10. Calculated (see note 6) minimum DC reverse bias voltage to maintain low loss under 41.2 dBm of power with 1.5:1 VSWR.

Logic Truth Table MADR-011020 / MADR-011022

Inputs				Outputs	
EN	DS	C2	C1	RF1	RF2
1	X	X	X	OFF	OFF
0	1	0	0	OFF	OFF
0	1	0	1	OFF	OFF
0	1	1	0	OFF	ON
0	1	1	1	ON	OFF

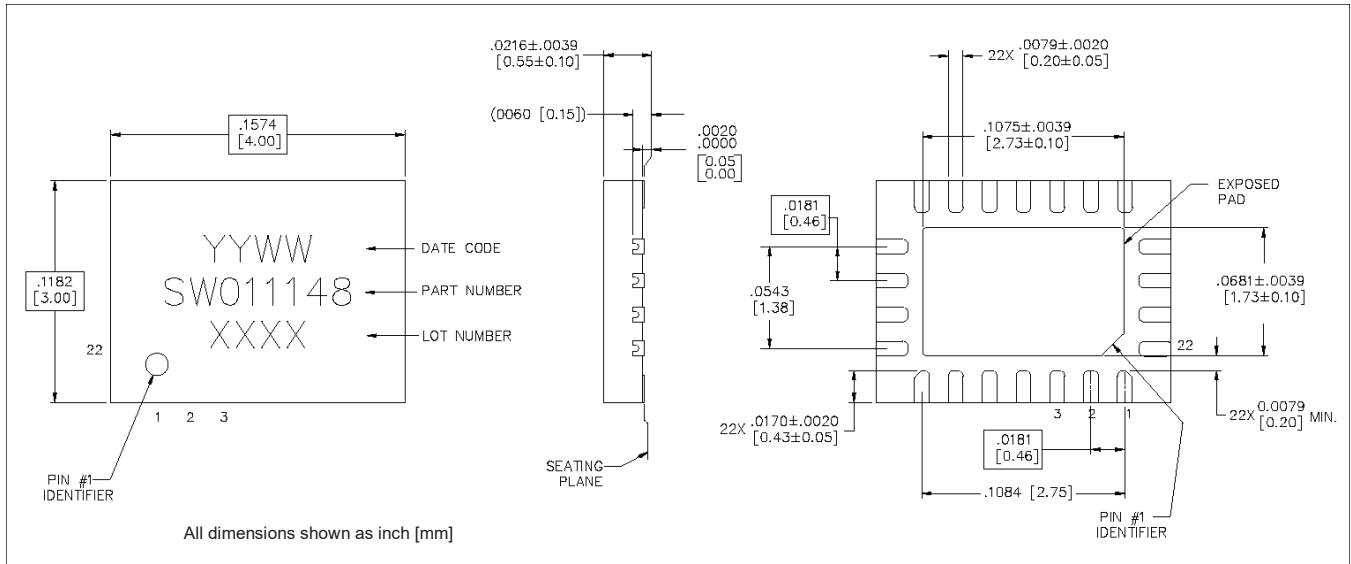
Ka-Band High Power Terminated SPDT PIN Switch 20 - 44 GHz



MASW-011148

Rev. V1

Lead-Free 3 x 4 mm, 22-Lead PQFN[†]



[†] Reference Application Note S2083 for lead-free solder reflow recommendations.
Meets JEDEC moisture sensitivity level 1 requirements.
Plating is NiPdAuAg

Ka-Band High Power Terminated SPDT PIN Switch

20 - 44 GHz



MASW-011148

Rev. V1

MACOM Technology Solutions Inc. ("MACOM"). All rights reserved.

These materials are provided in connection with MACOM's products as a service to its customers and may be used for informational purposes only. Except as provided in its Terms and Conditions of Sale or any separate agreement, MACOM assumes no liability or responsibility whatsoever, including for (i) errors or omissions in these materials; (ii) failure to update these materials; or (iii) conflicts or incompatibilities arising from future changes to specifications and product descriptions, which MACOM may make at any time, without notice. These materials grant no license, express or implied, to any intellectual property rights.

THESE MATERIALS ARE PROVIDED "AS IS" WITH NO WARRANTY OR LIABILITY, EXPRESS OR IMPLIED, RELATING TO SALE AND/OR USE OF MACOM PRODUCTS INCLUDING FITNESS FOR A PARTICULAR PURPOSE, MERCHANTABILITY, INFRINGEMENT OF INTELLECTUAL PROPERTY RIGHT, ACCURACY OR COMPLETENESS, OR SPECIAL, INDIRECT, INCIDENTAL, OR CONSEQUENTIAL DAMAGES WHICH MAY RESULT FROM USE OF THESE MATERIALS.

MACOM products are not intended for use in medical, lifesaving or life sustaining applications. MACOM customers using or selling MACOM products for use in such applications do so at their own risk and agree to fully indemnify MACOM for any damages resulting from such improper use or sale.

X-ON Electronics

Largest Supplier of Electrical and Electronic Components

Click to view similar products for [RF Switch ICs](#) category:

Click to view products by [MACOM](#) manufacturer:

Other Similar products are found below :

[MASW-004100-11930W](#) [MASW-008853-TR3000](#) [MASW6010G](#) [BGSX210MA18E6327XTSA1](#) [CG2185X2](#) [CG2415M6](#) [MA4AGSW1A](#)
[MA4SW410](#) [MASW-002102-13580G](#) [MASW-005100-11940W](#) [BGS 12PL6 E6327](#) [BGS1414MN20E6327XTSA1](#)
[BGS1515MN20E6327XTSA1](#) [SKY13374-397LF](#) [CG2415M6-C2](#) [AS222-92LF](#) [UPG2162T5N-E2-A](#) [MASWSS0201TR](#) [MASW-007075-](#)
[000100](#) [MASW-004103-13655P](#) [MASW-003102-13590G](#) [MASWSS0202TR-3000](#) [MA4SW310B-1](#) [MA4SW310](#) [SW-313-PIN](#) [CG2430X1](#)
[SKY13405-490LF](#) [SKYA21001](#) [SKY13415-485LF](#) [MMS008PP3](#) [SKY13319-374LF](#) [SKY13404-466LF](#) [SKY13473-569LF](#) [SKY13626-](#)
[685LF](#) [NJG1809ME7-TE1](#) [SKY13343-92LF](#) [MASW-002103-13635P](#) [SKY13417-485LF](#) [MASW-003100-11920W](#) [MASW-004103-13650P](#)
[NJG1649HB6](#) [BGSA14GN10E6327](#) [FM1694C](#) [XMSS1R6G0PA-001](#) [AW13612FLR](#) [AW13102DNR](#) [FM3418C](#) [AW13508QNR](#)
[AW13418RQNR](#) [FM8648M](#)