

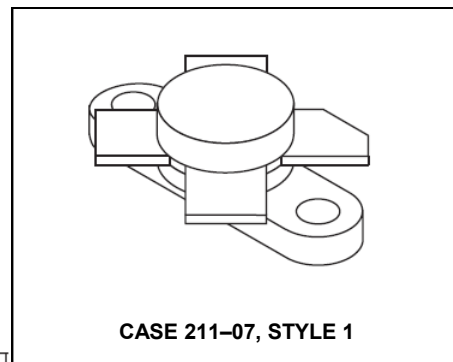
The RF Line NPN Silicon Power Transistor 30W, 30-200MHz, 28V

Rev. V1

Designed primarily for wideband large-signal driver and output amplifier stages in the 30–200 MHz frequency range.

- Guaranteed performance at 150 MHz, 28 Vdc
Output power = 30 W
Minimum gain = 10 dB
- 100% tested for load mismatch at all phase angles with 30:1 VSWR
- Gold metallization system for high reliability applications

Product Image



MAXIMUM RATINGS

Rating	Symbol	Value	Unit
Collector–Emitter Voltage	V_{CEO}	35	Vdc
Collector–Base Voltage	V_{CBO}	65	Vdc
Emitter–Base Voltage	V_{EBO}	4.0	Vdc
Collector Current — Continuous	I_C	3.4	Adc
Total Device Dissipation @ $T_C = 25^\circ\text{C}$ (1) Derate above 25°C	P_D	82 0.47	Watts W/ $^\circ\text{C}$
Storage Temperature Range	T_{stg}	–65 to +150	$^\circ\text{C}$

THERMAL CHARACTERISTICS

Characteristic	Symbol	Max	Unit
Thermal Resistance, Junction to Case	$R_{\theta JC}$	2.13	$^\circ\text{C/W}$

ELECTRICAL CHARACTERISTICS ($T_C = 25^\circ\text{C}$ unless otherwise noted.)

Characteristic	Symbol	Min	Typ	Max	Unit
----------------	--------	-----	-----	-----	------

OFF CHARACTERISTICS

Collector–Emitter Breakdown Voltage ($I_C = 30 \text{ mAdc}$, $I_B = 0$)	$V_{(BR)CEO}$	35	—	—	Vdc
Collector–Emitter Breakdown Voltage ($I_C = 30 \text{ mAdc}$, $V_{BE} = 0$)	$V_{(BR)CES}$	65	—	—	Vdc
Collector–Base Breakdown Voltage ($I_C = 30 \text{ mAdc}$, $I_E = 0$)	$V_{(BR)CBO}$	65	—	—	Vdc
Emitter–Base Breakdown Voltage ($I_E = 3.0 \text{ mAdc}$, $I_C = 0$)	$V_{(BR)EBO}$	4.0	—	—	Vdc
Collector Cutoff Current ($V_{CB} = 30 \text{ Vdc}$, $I_E = 0$)	I_{CBO}	—	—	3.0	mAdc

ON CHARACTERISTICS

DC Current Gain ($I_C = 1.5 \text{ Adc}$, $V_{CE} = 5.0 \text{ Vdc}$)	h_{FE}	20	—	80	—
---	----------	----	---	----	---

NOTE:

1. These devices are designed for RF operation. The total device dissipation rating applies only when the devices are operated as RF amplifiers.

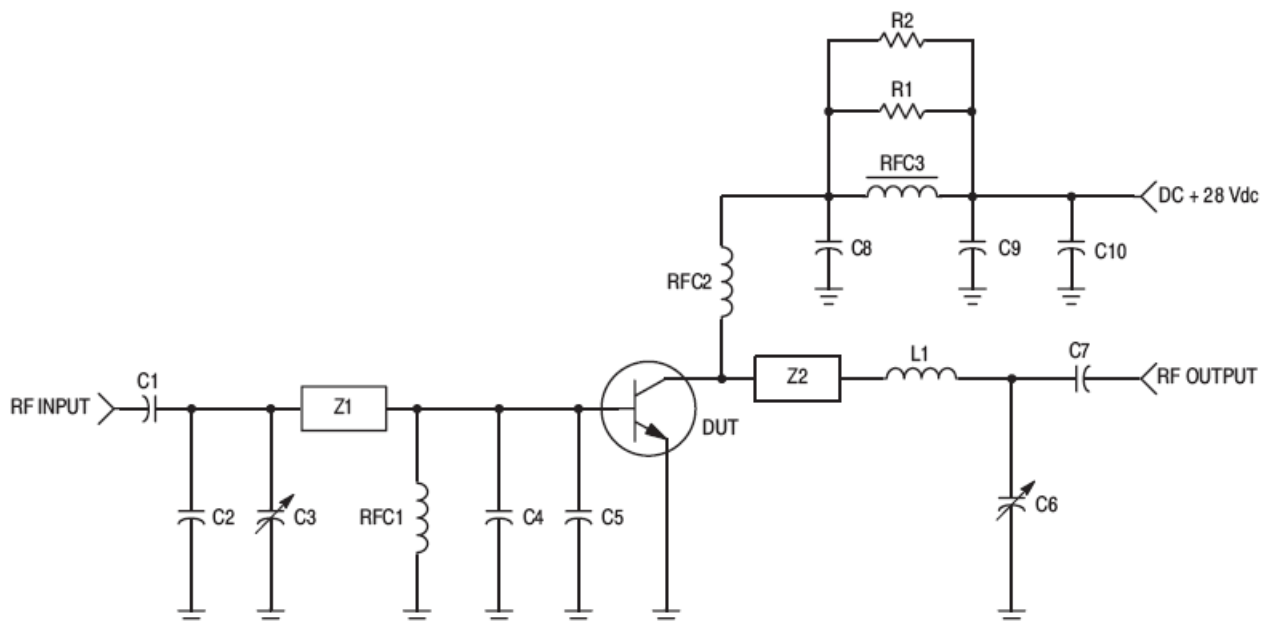
(continued)

The RF Line NPN Silicon Power Transistor 30W, 30-200MHz, 28V

Rev. V1

ELECTRICAL CHARACTERISTICS — continued ($T_C = 25^\circ\text{C}$ unless otherwise noted.)

Characteristic	Symbol	Min	Typ	Max	Unit
DYNAMIC CHARACTERISTICS					
Output Capacitance ($V_{CB} = 30\text{ Vdc}$, $I_E = 0$, $f = 1.0\text{ MHz}$)	C_{ob}	—	30	40	pF
FUNCTIONAL TESTS (Figure 1)					
Common-Emitter Amplifier Power Gain ($V_{CC} = 28\text{ Vdc}$, $P_{out} = 30\text{ W}$, $f = 150\text{ MHz}$)	G_{PE}	10	13.5	—	dB
Collector Efficiency ($V_{CC} = 28\text{ Vdc}$, $P_{out} = 30\text{ W}$, $f = 150\text{ MHz}$)	η	50	—	—	%
Load Mismatch ($V_{CC} = 28\text{ Vdc}$, $P_{out} = 30\text{ W}$, $f = 150\text{ MHz}$, $VSWR = 30:1$ all phase angles)	ψ	No Degradation in Power Output			



C1, C7 — 18 pF, 100 mil ATC
 C2 — 68 pF, 100 mil ATC
 C3, C6 — Johanson #JMC 5501
 C4 — 270 pF, 100 mil ATC
 C5 — 240 pF, 100 mil ATC
 C8, C9 — 100 pF Underwood
 C10 — 1.0 μF Tantalum
 L1 — 2 Turns, 2.5" #20 Wire, $ID = 0.275"$

R1, R2 — 10 Ω , 1.0 W
 RFC1 — 15 μH Molded Coil
 RFC2 — 2 Turns, 2.5" #20 Wire, $ID = 0.2"$
 RFC3 — Ferroxcube VK200-19/4B
 Z1 — Microstrip, 0.168" W x 1.6" L
 Z2 — Microstrip, 0.168" W x 1.2" L
 Board — Glass Teflon $\epsilon_r = 2.55$

Figure 1. 150 MHz Test Circuit

TYPICAL PERFORMANCE CURVES

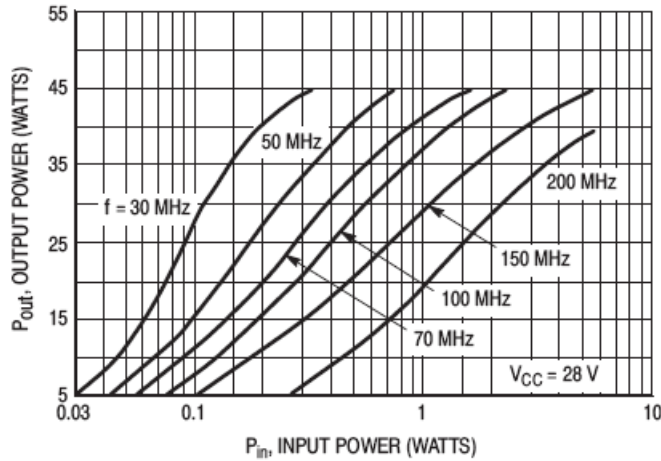


Figure 2. Output Power versus Input Power

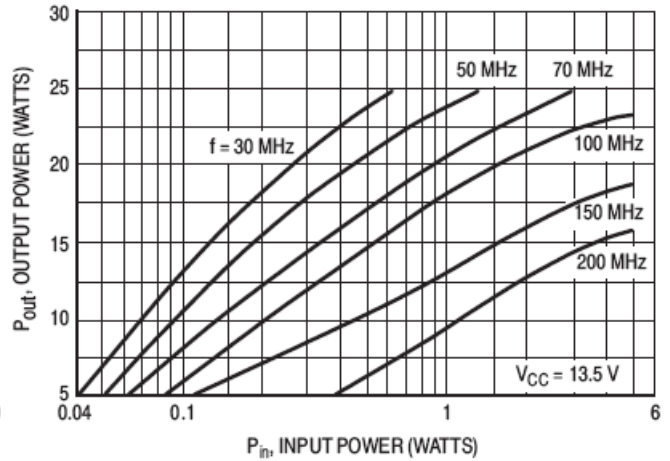


Figure 3. Output Power versus Input Power

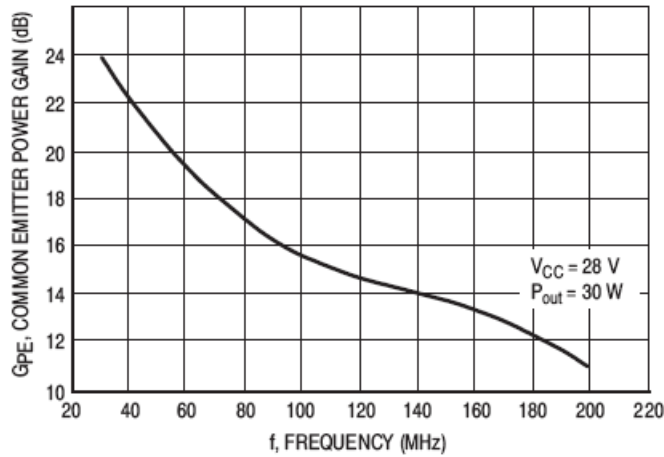


Figure 4. Power Gain versus Frequency

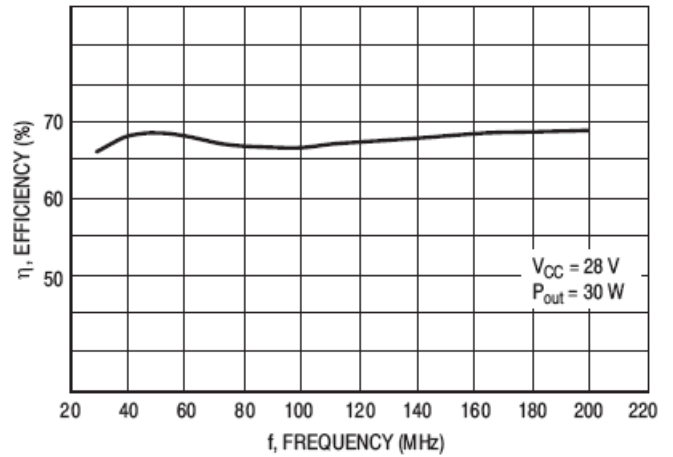


Figure 5. Efficiency versus Frequency

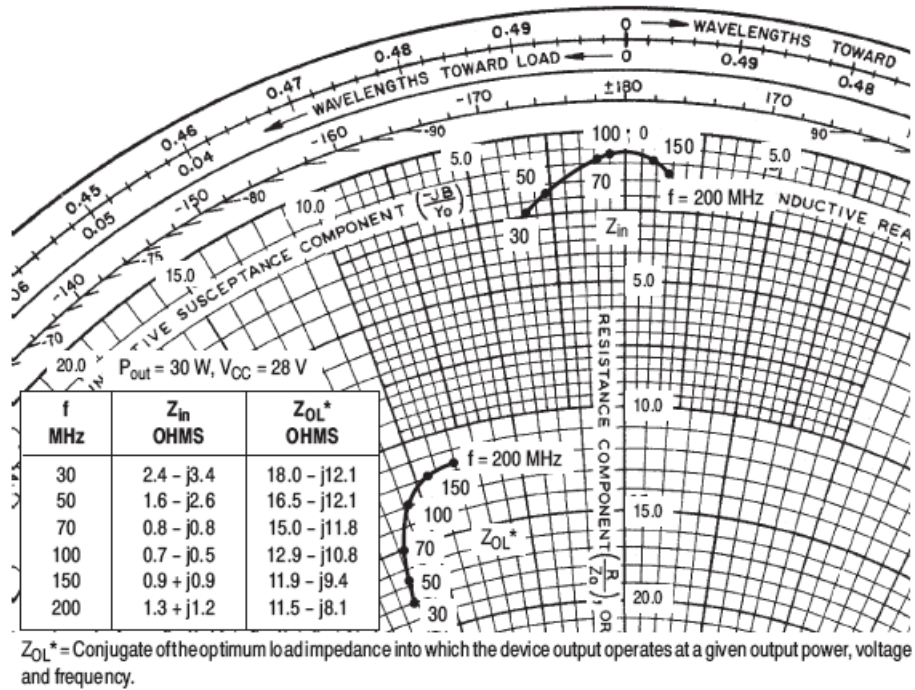
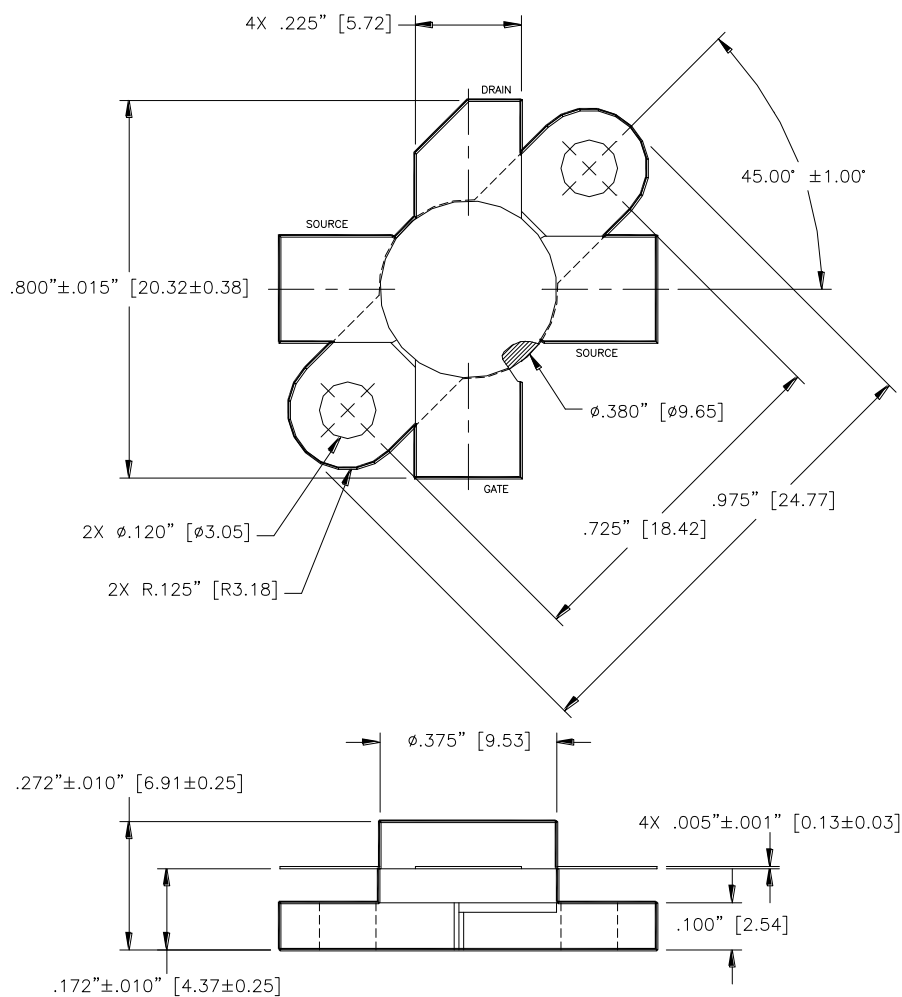


Figure 6. Series Equivalent Input/Output Impedance

The RF Line NPN Silicon Power Transistor 30W, 30-200MHz, 28V

Rev. V1



Unless otherwise noted, tolerances are inches $\pm .005''$ [millimeters $\pm 0.13\text{mm}$]

M/A-COM Technology Solutions Inc. All rights reserved.

Information in this document is provided in connection with M/A-COM Technology Solutions Inc ("MACOM") products. These materials are provided by MACOM as a service to its customers and may be used for informational purposes only. Except as provided in MACOM's Terms and Conditions of Sale for such products or in any separate agreement related to this document, MACOM assumes no liability whatsoever. MACOM assumes no responsibility for errors or omissions in these materials. MACOM may make changes to specifications and product descriptions at any time, without notice. MACOM makes no commitment to update the information and shall have no responsibility whatsoever for conflicts or incompatibilities arising from future changes to its specifications and product descriptions. No license, express or implied, by estoppel or otherwise, to any intellectual property rights is granted by this document.

THESE MATERIALS ARE PROVIDED "AS IS" WITHOUT WARRANTY OF ANY KIND, EITHER EXPRESS OR IMPLIED, RELATING TO SALE AND/OR USE OF MACOM PRODUCTS INCLUDING LIABILITY OR WARRANTIES RELATING TO FITNESS FOR A PARTICULAR PURPOSE, CONSEQUENTIAL OR INCIDENTAL DAMAGES, MERCHANTABILITY, OR INFRINGEMENT OF ANY PATENT, COPYRIGHT OR OTHER INTELLECTUAL PROPERTY RIGHT. MACOM FURTHER DOES NOT WARRANT THE ACCURACY OR COMPLETENESS OF THE INFORMATION, TEXT, GRAPHICS OR OTHER ITEMS CONTAINED WITHIN THESE MATERIALS. MACOM SHALL NOT BE LIABLE FOR ANY SPECIAL, INDIRECT, INCIDENTAL, OR CONSEQUENTIAL DAMAGES, INCLUDING WITHOUT LIMITATION, LOST REVENUES OR LOST PROFITS, WHICH MAY RESULT FROM THE USE OF THESE MATERIALS.

MACOM products are not intended for use in medical, lifesaving or life sustaining applications. MACOM customers using or selling MACOM products for use in such applications do so at their own risk and agree to fully indemnify MACOM for any damages resulting from such improper use or sale.

X-ON Electronics

Largest Supplier of Electrical and Electronic Components

Click to view similar products for [RF Bipolar Transistors](#) category:

Click to view products by [MACOM](#) manufacturer:

Other Similar products are found below :

[MAPRST0912-50](#) [MCH4016-TL-H](#) [MMBT5551-G](#) [MRF10120](#) [15GN01CA-TB-E](#) [PH1214-25M](#) [MAPRST0912-350](#) [MMBTH10-TP](#) [BFP640F H6327](#) [BFR 360F H6765](#) [MRF10031](#) [NSVF4009SG4T1G](#) [BFP 182R E7764](#) [BFP405H6740XTSA1](#) [MRF10350](#) [ASMA201](#)
[BFR360FH6765XTSA1](#) [BFP410H6327XTSA1](#) [BFP620FH7764XTSA1](#) [BFP720ESDH6327XTSA1](#) [BFP720FH6327XTSA1](#)
[BFR360L3E6765XTMA1](#) [BFP420H6433XTMA1](#) [BFP420H6740XTSA1](#) [BFP420H6801XTSA1](#) [MCH4015-TL-H](#) [BF888H6327XTSA1](#)
[MMBT2222A-G](#) [BFP196WH6327XTSA1](#) [BFP405FH6327XTSA1](#) [BFP640ESDH6327XTSA1](#) [BFR193L3E6327XTMA1](#)
[BFS483H6327XTSA1](#) [NSVF4020SG4T1G](#) [NSVF6003SB6T1G](#) [MRF10005](#) [BFP420FH6327XTSA1](#) [BFP740FESDH6327XTSA1](#)
[BFR181E6327HTSA1](#) [BFR181WH6327XTSA1](#) [BFR182E6327HTSA1](#) [BFR193E6327HTSA1](#) [BFP181E7764HTSA1](#)
[BFP183WH6327XTSA1](#) [BFP720H6327XTSA1](#) [BFR182WH6327XTSA1](#) [BFU590GX](#) [MAPR-000912-500S00](#) [BFR340FH6327XTSA1](#)
[STGWT30HP65FB](#)