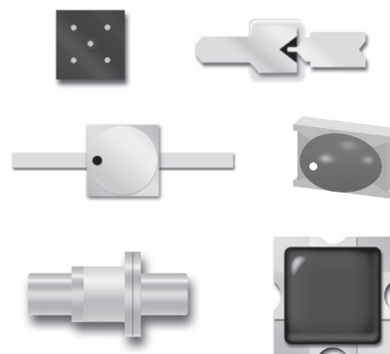


### Features

- Very Low 1/f Noise
- Detector Applications up to 40 GHz
- Chip Beam Lead and Packaged Devices

### Description

The MSS20-xxx-x Series of Schottky diodes is fabricated on P-Type epitaxial substrates for superior 1/f noise performance in microwave 0-bias detector applications up to 40 GHz.



### Chip & Beam Lead Electrical Specifications: $T_A = 25^\circ\text{C}$

Model	Outline	Frequency	Junction Capacitance ( $C_J$ )	Tangential Signal Sensitivity ( $T_{SS}$ )	Video Resistance ( $R_V$ )		Voltage Sensitivity ( $\gamma$ )
		GHz	pF	dBm	$\Omega$		mV / mW
		Max.	Max.	Typ.	Min.	Max.	Typ.
<b>Chip</b>							
MSS20-046-	C15	18	0.10	-58	1000	2000	5000
MSS20-047-		18	0.10	-59	2000	6000	8000
MSS20-050-		12	0.15	-58	1000	2000	5000
MSS20-051-		12	0.15	-59	2000	6000	8000
MSS20-054-		8	0.20	-58	1000	2000	5000
MSS20-055-		8	0.20	-59	2000	6000	8000
<b>Beam Lead</b>							
MSS20-140-	B10D	40	0.08	-58	1000	2000	5000
MSS20-141-		40	0.08	-59	2000	6000	8000
MSS20-142-		26	0.10	-58	1000	2000	5000
MSS20-143-		26	0.10	-59	2000	6000	8000
MSS20-145-		18	0.12	-58	1000	2000	5000
MSS20-146-		18	0.12	-59	2000	6000	8000
Test Conditions			$f = 1 \text{ MHz,}$ $V_R = 0 \text{ V}$	$f = 10 \text{ GHz,}$ $NF = 3 \text{ dB}$	$P_{IN} = -30 \text{ dBm}$ Video BW = 500 KHz		$R_L = 1 \text{ M}\Omega$

## Zero Bias Schottky Diodes

Rev. V4

**Packaged Electrical Specifications:  $T_A = 25^\circ\text{C}$ ,  $V_{BR} = 0.8\text{ V min @ }100\ \mu\text{A}$**

Model	Outline	Frequency	Total Capacitance ( $C_T$ )		Tangential Signal Sensitivity ( $T_{SS}$ )	Video Resistance ( $R_V$ )		Voltage Sensitivity ( $\Upsilon$ )
			pF		dBm	$\Omega$		mV / mW
			Typ.	Max.	Typ.	Typ.	Max.	Typ.
MSS20-046-	0805-2	20	0.14	0.20	-58	1500	2000	5000
	E25	18	0.15	0.20				
	E28 / E28X	18	0.16	0.20				
	H27	18	0.20	0.25				
	T86	12	0.26	0.31				
MSS20-047-	0805-2	20	0.14	0.20	-59	4000	6000	8000
	E25	18	0.15	0.20				
	E28 / E28X	18	0.16	0.20				
	H27	18	0.20	0.25				
	T86	12	0.26	0.31				
MSS20-050-	0805-2	18	0.18	0.25	-58	1500	2000	5000
	E25	12	0.20	0.25				
	E28 / E28X	12	0.21	0.25				
	H27	12	0.24	0.30				
	T86	12	0.30	0.36				
MSS20-051-	0805-2	18	0.18	0.25	-59	4000	6000	8000
	E25	12	0.20	0.25				
	E28 / E28X	12	0.21	0.25				
	H27	12	0.24	0.30				
	T86	12	0.30	0.36				
MSS20-054-	0805-2	12	0.24	0.30	-58	1500	2000	5000
	E25	8	0.25	0.30				
	E28 / E28X	8	0.26	0.30				
	H27	8	0.30	0.35				
	T86	8	0.36	0.41				
MSS20-055-	0805-2	12	0.24	0.30	-59	4000	6000	8000
	E25	8	0.25	0.30				
	E28 / E28X	8	0.26	0.30				
	H27	8	0.30	0.35				
	T86	8	0.36	0.41				
Test Conditions			f = 1 MHz, $V_R = 0.5\text{ V}$		f = 10 GHz, $P_{IN} = -30\text{ dBm}$ , $R_L = 1\text{ m}\Omega$ , Video BW = 500 KHz, NF = 3 dB			

## Zero Bias Schottky Diodes

Rev. V4

**Packaged Electrical Specifications:  $T_A = 25^\circ\text{C}$ ,  $V_{BR} = 0.8\text{ V min @ } 100\ \mu\text{A}$**

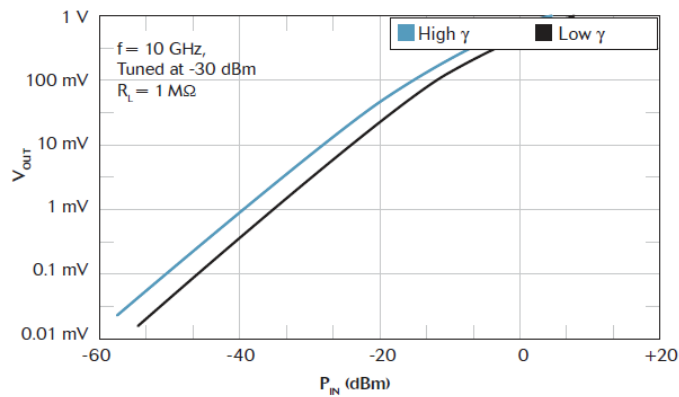
Model	Outline	Frequency	Total Capacitance ( $C_T$ )		Tangential Signal Sensitivity ( $T_{SS}$ )	Video Resistance ( $R_V$ )		Voltage Sensitivity ( $\gamma$ )
		GHz	pF		dBm	$\Omega$		mV / mW
		Max.	Typ.	Max.	Typ.	Typ.	Max.	Typ.
MSS20-140-	0402	26	0.12	0.15	-58	1500	2000	5000
MSS20-141-		26	0.12	0.15	-59	4000	6000	8000
MSS20-142-		20	0.15	0.18	-58	1500	2000	5000
MSS20-143-		20	0.15	0.18	-59	4000	6000	8000
MSS20-144-		18	0.18	0.20	-58	1500	2000	5000
MSS20-145-		18	0.18	0.20	-59	4000	6000	8000
Test Conditions			f = 1 MHz, $V_R = 0.5\text{ V}$		f = 10 GHz, $P_{IN} = -30\text{ dBm}$ , $R_L = 1\text{ m}\Omega$ , Video BW = 500 KHz, NF = 3 dB			

## Absolute Maximum Ratings

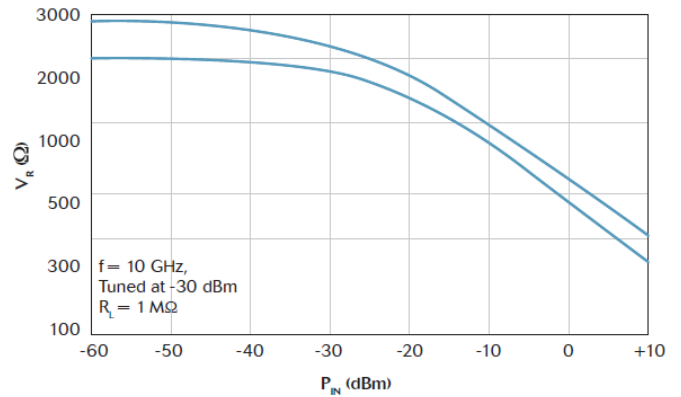
Parameters	Rating
Reverse Voltage	1 V
Forward Current	35 mA
CW Power Dissipation	100 mW, derate linearly to 0 @ $T_A = +150^\circ\text{C}$
Operating Temperature	$-65^\circ\text{C}$ to $+150^\circ\text{C}$
Storage Temperature	$-65^\circ\text{C}$ to $+150^\circ\text{C}$
Soldering Temperature (packaged)	$+230^\circ\text{C}$ for 5 seconds

### Typical Performance Curves: $T_A = 25^\circ\text{C}$

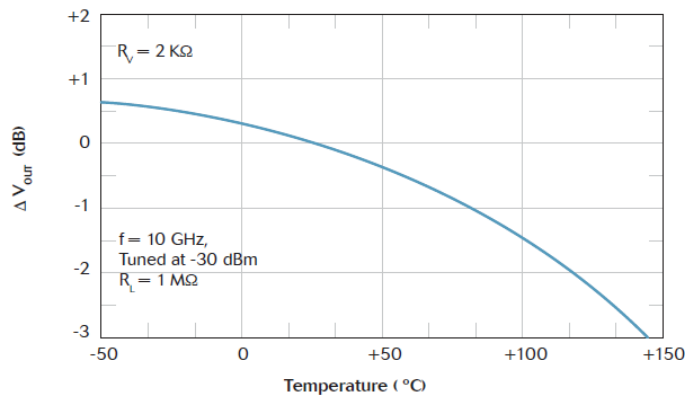
Detected Output vs. RF Input Power



Video Resistance vs. RF Input Power



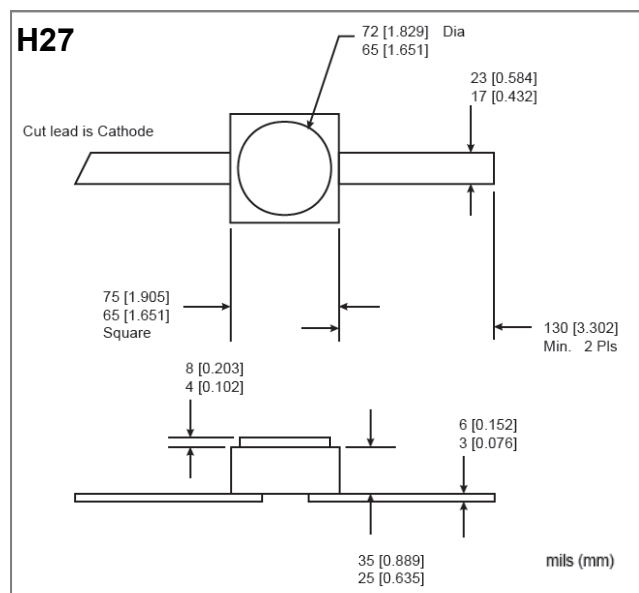
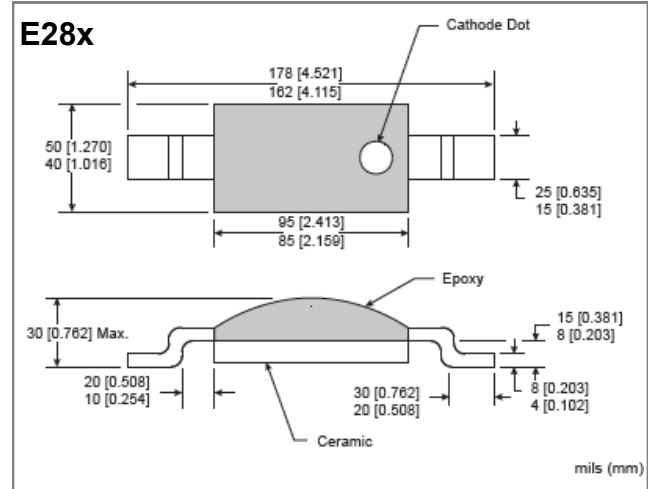
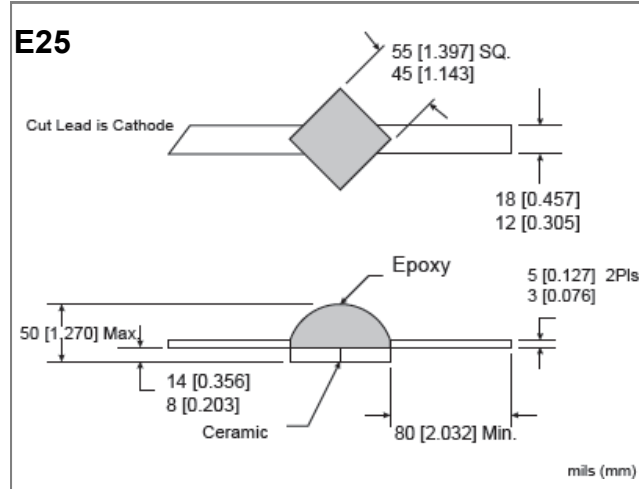
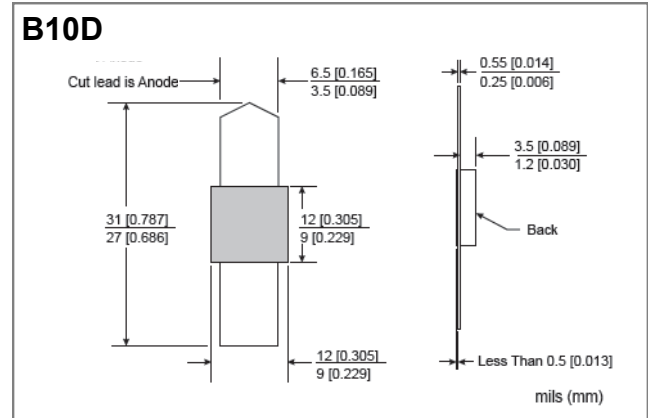
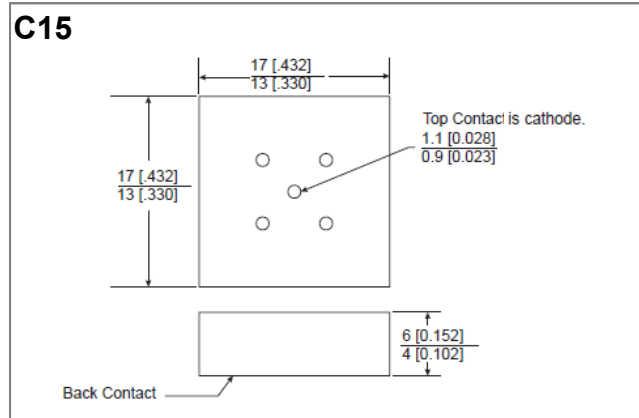
Detector Output vs. Temperature



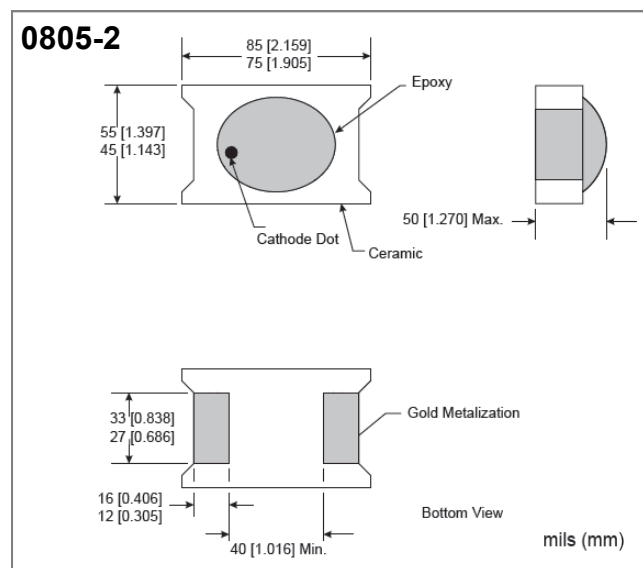
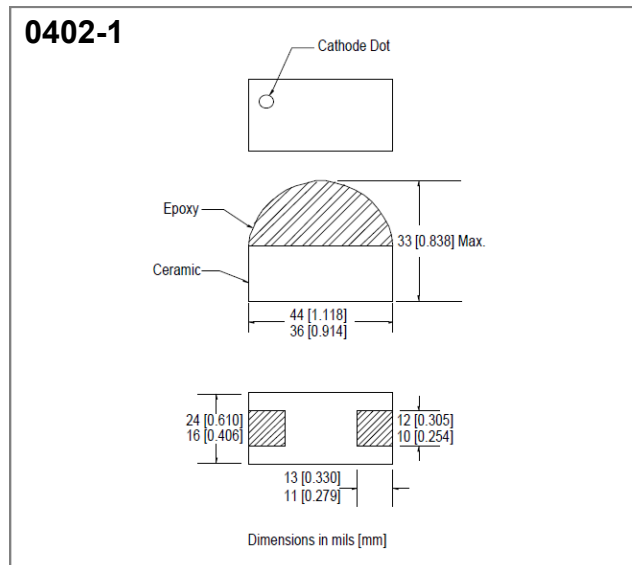
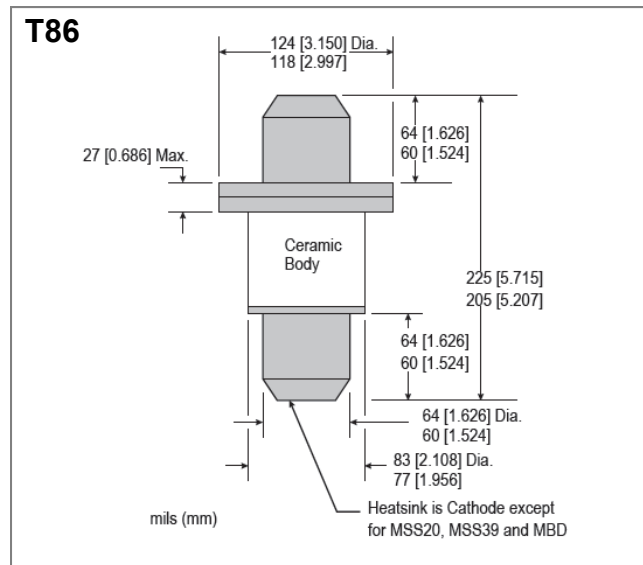
## Zero Bias Schottky Diodes

Rev. V4

### Outline Drawings



### Outline Drawings



MACOM Technology Solutions Inc. All rights reserved.

Information in this document is provided in connection with MACOM Technology Solutions Inc ("MACOM") products. These materials are provided by MACOM as a service to its customers and may be used for informational purposes only. Except as provided in MACOM's Terms and Conditions of Sale for such products or in any separate agreement related to this document, MACOM assumes no liability whatsoever. MACOM assumes no responsibility for errors or omissions in these materials. MACOM may make changes to specifications and product descriptions at any time, without notice. MACOM makes no commitment to update the information and shall have no responsibility whatsoever for conflicts or incompatibilities arising from future changes to its specifications and product descriptions. No license, express or implied, by estoppel or otherwise, to any intellectual property rights is granted by this document.

THESE MATERIALS ARE PROVIDED "AS IS" WITHOUT WARRANTY OF ANY KIND, EITHER EXPRESS OR IMPLIED, RELATING TO SALE AND/OR USE OF MACOM PRODUCTS INCLUDING LIABILITY OR WARRANTIES RELATING TO FITNESS FOR A PARTICULAR PURPOSE, CONSEQUENTIAL OR INCIDENTAL DAMAGES, MERCHANTABILITY, OR INFRINGEMENT OF ANY PATENT, COPYRIGHT OR OTHER INTELLECTUAL PROPERTY RIGHT. MACOM FURTHER DOES NOT WARRANT THE ACCURACY OR COMPLETENESS OF THE INFORMATION, TEXT, GRAPHICS OR OTHER ITEMS CONTAINED WITHIN THESE MATERIALS. MACOM SHALL NOT BE LIABLE FOR ANY SPECIAL, INDIRECT, INCIDENTAL, OR CONSEQUENTIAL DAMAGES, INCLUDING WITHOUT LIMITATION, LOST REVENUES OR LOST PROFITS, WHICH MAY RESULT FROM THE USE OF THESE MATERIALS.

MACOM products are not intended for use in medical, lifesaving or life sustaining applications. MACOM customers using or selling MACOM products for use in such applications do so at their own risk and agree to fully indemnify MACOM for any damages resulting from such improper use or sale.

## X-ON Electronics

Largest Supplier of Electrical and Electronic Components

*Click to view similar products for [Schottky Diodes & Rectifiers](#) category:*

*Click to view products by [MACOM](#) manufacturer:*

Other Similar products are found below :

[MA4E2039](#) [D1FH3-5063](#) [MBR0530L-TP](#) [MBR10100CT-BP](#) [MBR1545CT](#) [MMBD301M3T5G](#) [RB160M-50TR](#) [RB551V-30](#)  
[BAS16E6433HTMA1](#) [BAT 54-02LRH E6327](#) [NSR05F40QNXT5G](#) [NTE555](#) [JANS1N6640](#) [SB07-03C-TB-H](#) [SB1003M3-TL-W](#) [SK310-T](#)  
[SK32A-LTP](#) [SK34B-TP](#) [SS3003CH-TL-E](#) [GA01SHT18](#) [CRS10I30A\(TE85L,QM](#) [MA4E2501L-1290](#) [MBRB30H30CT-1G](#) [SB007-03C-TB-](#)  
[E](#) [SK32A-TP](#) [SK33B-TP](#) [SK38B-TP](#) [NRVBM120LT1G](#) [NTE505](#) [NTSB30U100CT-1G](#) [SS15E-TP](#) [VS-6CWQ10FNHM3](#) [ACDBA1100LR-](#)  
[HF](#) [ACDBA1200-HF](#) [ACDBA140-HF](#) [ACDBA2100-HF](#) [ACDBA3100-HF](#) [CDBQC0530L-HF](#) [CDBQC0240LR-HF](#) [ACDBA260LR-HF](#)  
[ACDBA1100-HF](#) [SK310B-TP](#) [MA4E2502L-1246](#) [MA4E2502H-1246](#) [NRVBM120ET1G](#) [NSR01L30MXT5G](#) [NTE573](#) [NTE6081](#) [SB560](#)  
[PMAD1108-LF](#)