

SW-224-PIN / SW-225-PIN



GaAs SPDT Switch,
DC - 2 GHz

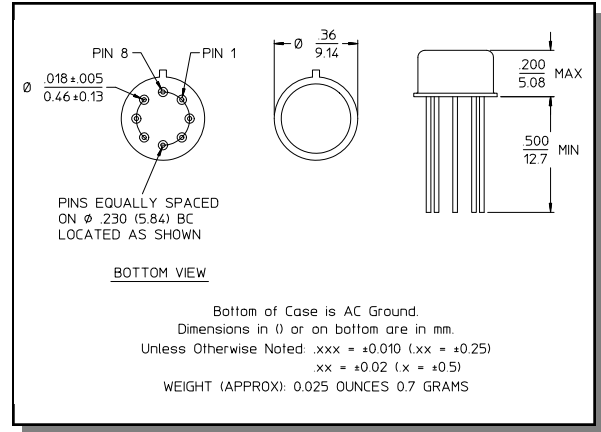
Rev. V3

Features

- Low Insertion Loss, 0.5 dB Typical
- Integral TTL Driver
- Low DC Power Consumption
- 50 Ohm Nominal Impedance
- MIL-STD-883 screening available

Description

TO-5-3 (SW-224)



Ordering Information

Part Number	Package
SW-224-PIN	TO-5-3
SW-225-PIN	FP-13

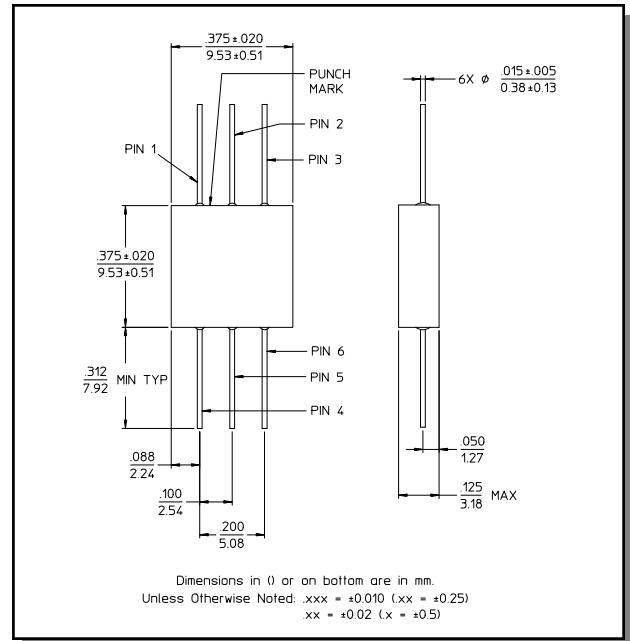
Note: Reference Application Note M513 for reel size information.

Note: Die quantity varies.

Truth Table

TTL Control Input	Condition of Switch	
	RF1	RF2
"1" = TTL Logic High	RF Common to Each RF Port	
1	ON	OFF
0	OFF	ON

FP-13 (SW-225)



* Restrictions on Hazardous Substances, European Union Directive 2002/95/EC.

SW-224-PIN / SW-225-PIN



GaAs SPDT Switch,
DC - 2 GHz

Rev. V3

Electrical Specifications: $T_A = -55^{\circ}\text{C}$ to $+85^{\circ}\text{C}$ ¹

Parameter	Test Conditions	Frequency	Units	Min	Typ	Max
Insertion Loss	—	DC - 2 GHz	dB	0.8	—	—
		DC - 1 GHz	dB	0.7	—	—
		DC - 0.5 GHz	dB	0.7	—	—
VSWR	—	DC - 2 GHz	Ratio	—	—	1.5:1
		DC - 1 GHz	Ratio	—	—	1.25:1
		DC - 0.5 GHz	Ratio	—	—	1.15:1
Isolation	—	DC - 2 GHz	dB	30	—	—
		DC - 1 GHz	dB	35	—	—
		DC - 0.5 GHz	dB	40	—	—
IP ₂	For two tone input power up to +13 dBm	0.5 - 2 GHz	dBm	—	+68	—
		0.05 GHz	dBm	—	+62	—
IP ₃	For two tone input power up to +13 dBm	0.5 - 2 GHz	dBm	—	+46	—
		0.05 GHz	dBm	—	+40	—
Trise, Tfall Ton, Toff Transients	50% CTL to 90/10% RF In-band	—	nS	—	10	—
		—	nS	—	150	—
		—	mV	—	15	—
1 dB Compression	Input Power	0.5 - 2 GHz	dBm	—	+27	—
		0.05 GHz	dBm	—	+21	—
Bias Power	+5 VDC -5 VDC	—	mA	—	—	1
		—	mA	—	—	1

1. All specifications apply when operated with bias voltages of +5VDC and -5VDC and 50 ohm impedance at all RF ports.

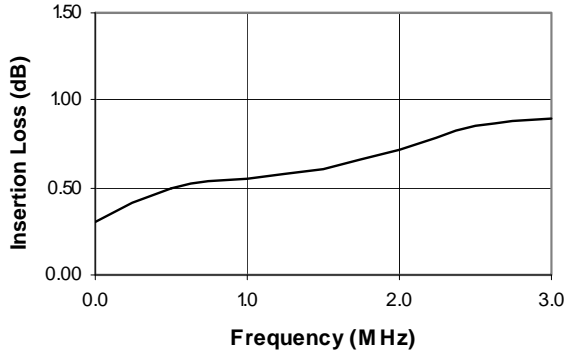
SW-224-PIN / SW-225-PIN

GaAs SPDT Switch,
DC - 2 GHz

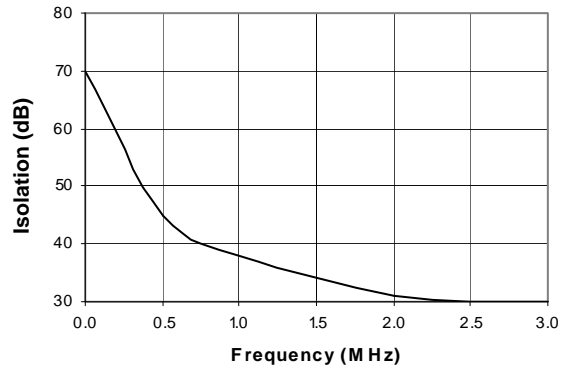
Rev. V3

Typical Performance Curves

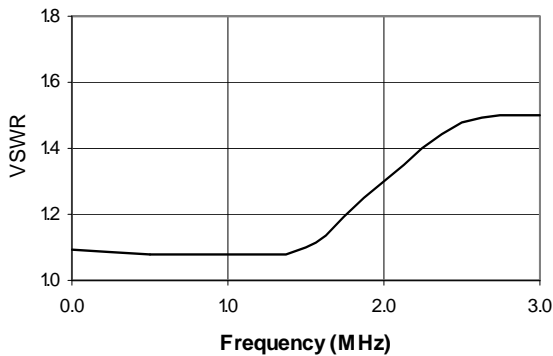
Insertion Loss



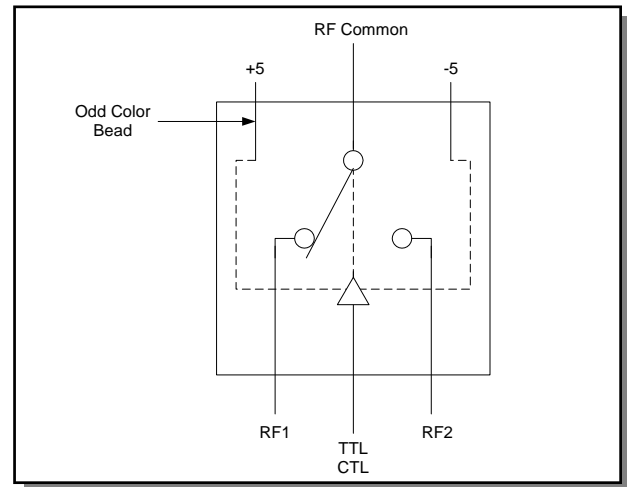
Isolation



VSWR



Pin Configuration



X-ON Electronics

Largest Supplier of Electrical and Electronic Components

Click to view similar products for [RF Switch ICs](#) category:

Click to view products by [MACOM](#) manufacturer:

Other Similar products are found below :

[MASW-007921-002SMB](#) [BGSA142GN12E6327XTSA1](#) [BGSA142MN12E6327XTSA1](#) [BGSA142M2N12E6327XTSA1](#) [MASW-004100-11930W](#) [MASW-008853-TR3000](#) [BGS13SN8E6327XTSA1](#) [BGSF18DM20E6327XUMA1](#) [BGSX210MA18E6327XTSA1](#) [BGSX212MA18E6327XTSA1](#) [SKY13446-374LF](#) [SW-227-PIN](#) [PE42524A-X](#) [CG2185X2](#) [CG2415M6](#) [MA4AGSW1A](#) [MA4AGSW2](#) [MA4AGSW3](#) [MA4AGSW5](#) [MA4SW210B-1](#) [MA4SW410](#) [MASW-002102-13580G](#) [MASW-008955-TR3000](#) [BGS 12PL6 E6327](#) [BGS1414MN20E6327XTSA1](#) [BGS1515MN20E6327XTSA1](#) [BGSA11GN10E6327XTSA1](#) [BGSX28MA18E6327XTSA1](#) [HMC199AMS8](#) [HMC595AETR](#) [HMC986A](#) [SKY13374-397LF](#) [SKY13453-385LF](#) [CG2430X1-C2](#) [TGS2353-2-SM](#) [TGS4304](#) [UPG2162T5N-A](#) [CG2415M6-C2](#) [AS222-92LF](#) [SW-314-PIN](#) [UPG2162T5N-E2-A](#) [BGS18GA14E6327XTSA1](#) [MASWSS0204TR-3000](#) [MASWSS0201TR](#) [MASWSS0181TR-3000](#) [MASW-007588-TR3000](#) [MASW-007075-000100](#) [MASW-004103-13655P](#) [MASW-003102-13590G](#) [MASWSS0202TR-3000](#)