



---

**4M-BIT [512K x 8 / 256K x 16] SINGLE VOLTAGE  
5V ONLY FLASH MEMORY**

**FEATURES**

**GENERAL FEATURES**

- Single Power Supply Operation
  - 4.5 to 5.5 volt for read, erase, and program operations
- 524,288 x 8 / 262,144 x 16 switchable
- Boot Sector Architecture
  - T = Top Boot Sector
  - B = Bottom Boot Sector
- Sector Structure
  - 16K-Byte x 1, 8K-Byte x 2, 32K-Byte x 1, and 64K-Byte x 7
- Sector protection
  - Hardware method to disable any combination of sectors from program or erase operations
  - Temporary sector unprotected allows code changes in previously locked sectors
- Latch-up protected to 100mA from -1V to Vcc + 1V
- Compatible with JEDEC standard
  - Pinout and software compatible to single power supply Flash

**PERFORMANCE**

- High Performance
  - Access time: 70/90ns
  - Byte/Word program time: 9us/11us (typical)
  - Erase time: 0.7s/sector, 4s/chip (typical)
- Low Power Consumption
  - Low active read current: 40mA (maximum) at 5MHz
  - Low standby current: 1uA (typical)
- Minimum 100,000 erase/program cycle
- 20 years data retention

**SOFTWARE FEATURES**

- Erase Suspend/ Erase Resume
  - Suspends sector erase operation to read data from or program data to another sector which is not being erased
- Status Reply
  - Data# Polling & Toggle bits provide detection of program and erase operation completion

**HARDWARE FEATURES**

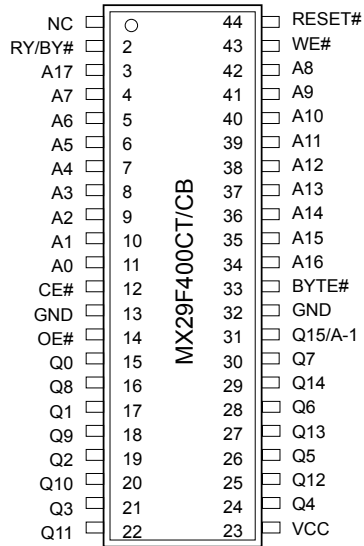
- Ready/Busy# (RY/BY#) Output
  - Provides a hardware method of detecting program and erase operation completion
- Hardware Reset (RESET#) Input
  - Provides a hardware method to reset the internal state machine to read mode

**PACKAGE**

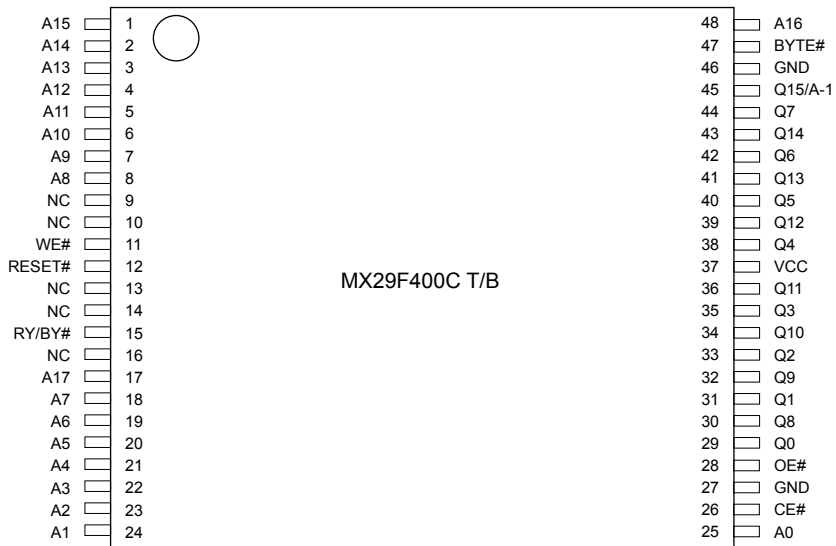
- 44-Pin SOP
- 48-Pin TSOP
- **All devices are RoHS Compliant**
- **All non RoHS Compliant devices are not recommended for new design in**

## PIN CONFIGURATIONS

### 44 SOP(500mil)



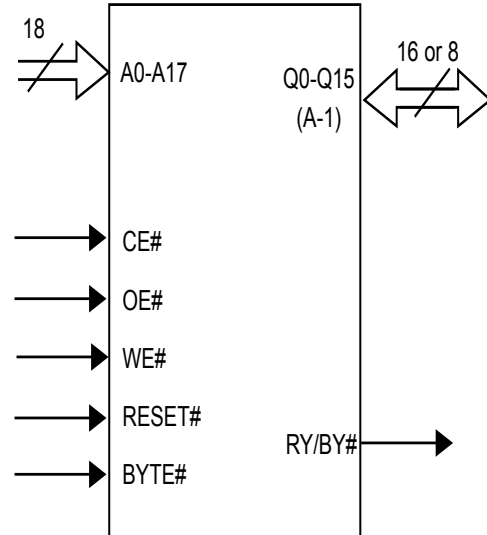
### 48 TSOP(TYPE I) (12mm x 20mm)



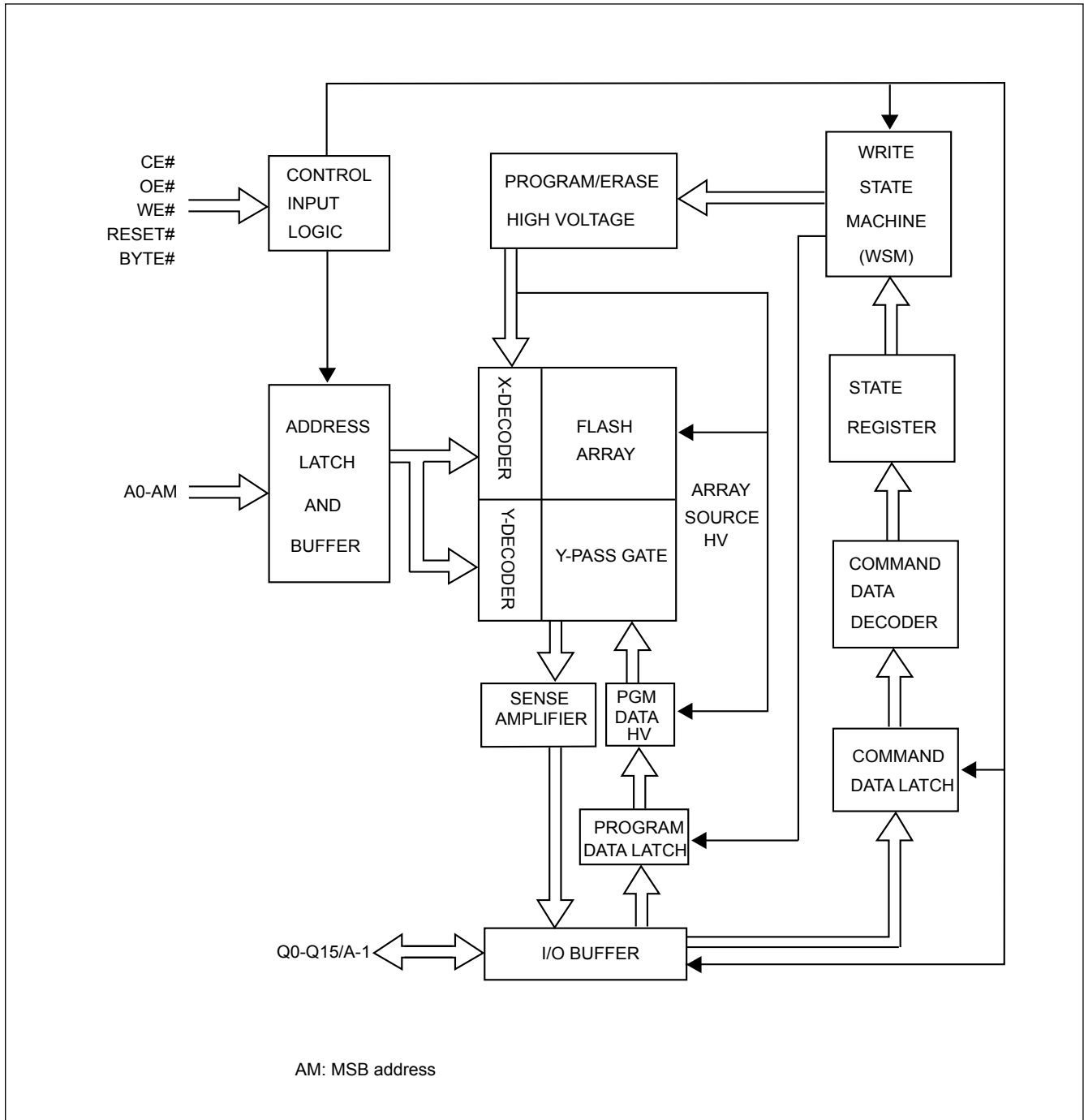
**PIN DESCRIPTION**

SYMBOL	PIN NAME
A0~A17	Address Input
Q0~Q14	Data Input/Output
Q15/A-1	Q15(Word mode)/LSB addr(Byte mode)
CE#	Chip Enable Input
WE#	Write Enable Input
BYTE#	Word/Byte Selection input
RESET#	Hardware Reset Pin/Sector Protect Unlock
OE#	Output Enable Input
RY/BY#	Ready/Busy Output
VCC	Power Supply Pin (+5V)
GND	Ground Pin

**LOGIC SYMBOL**



**BLOCK DIAGRAM**



**Table 1. SECTOR STRUCTURE**

**MX29F400CT TOP BOOT SECTOR ADDRESS TABLE**

Sector	A17	A16	A15	A14	A13	A12	Sector Size (Kbytes/ Kwords)	Address Range (in hexadecimal)	
								(x8) Address Range	(x16) Address Range
SA0	0	0	0	X	X	X	64/32	00000h-0FFFFh	00000h-07FFFh
SA1	0	0	1	X	X	X	64/32	10000h-1FFFFh	08000h-0FFFFh
SA2	0	1	0	X	X	X	64/32	20000h-2FFFFh	10000h-17FFFh
SA3	0	1	1	X	X	X	64/32	30000h-3FFFFh	18000h-1FFFFh
SA4	1	0	0	X	X	X	64/32	40000h-4FFFFh	20000h-27FFFh
SA5	1	0	1	X	X	X	64/32	50000h-5FFFFh	28000h-2FFFFh
SA6	1	1	0	X	X	X	64/32	60000h-6FFFFh	30000h-37FFFh
SA7	1	1	1	0	X	X	32/16	70000h-77FFFh	38000h-3BFFFh
SA8	1	1	1	1	0	0	8/4	78000h-79FFFh	3C000h-3CFFFh
SA9	1	1	1	1	0	1	8/4	7A000h-7BFFFh	3D000h-3DFFFh
SA10	1	1	1	1	1	X	16/8	7C000h-7FFFFh	3E000h-3FFFFh

**MX29F400CB BOTTOM BOOT SECTOR ADDRESS TABLE**

Sector	A17	A16	A15	A14	A13	A12	Sector Size (Kbytes/ Kwords)	Address Range (in hexadecimal)	
								(x8) Address Range	(x16) Address Range
SA0	0	0	0	0	0	X	16/8	00000h-03FFFh	00000h-01FFFh
SA1	0	0	0	0	1	0	8/4	04000h-05FFFh	02000h-02FFFh
SA2	0	0	0	0	1	1	8/4	06000h-07FFFh	03000h-03FFFh
SA3	0	0	0	1	X	X	32/16	08000h-0FFFFh	04000h-07FFFh
SA4	0	0	1	X	X	X	64/32	10000h-1FFFFh	08000h-0FFFFh
SA5	0	1	0	X	X	X	64/32	20000h-2FFFFh	10000h-17FFFh
SA6	0	1	1	X	X	X	64/32	30000h-3FFFFh	18000h-1FFFFh
SA7	1	0	0	X	X	X	64/32	40000h-4FFFFh	20000h-27FFFh
SA8	1	0	1	X	X	X	64/32	50000h-5FFFFh	28000h-2FFFFh
SA9	1	1	0	X	X	X	64/32	60000h-6FFFFh	30000h-37FFFh
SA10	1	1	1	X	X	X	64/32	70000h-7FFFFh	38000h-3FFFFh

**Note:** Address range is A17~A-1 in byte mode and A17~A0 in word mode.

**Table 2. BUS OPERATION**

Mode	Pins	CE#	OE#	WE#	RESET#	A0	A1	A6	A9	Q0 ~ Q15
Read Silicon ID Manufacture Code		L	L	H	H	L	L	X	Vhv	C2H (Byte mode) 00C2H (Word mode)
Read Silicon ID Device Code		L	L	H	H	H	L	X	Vhv	23H/ABH (Byte mode) 2223H/22ABH (Word mode)
Read		L	L	H	H	A0	A1	A6	A9	D <sub>OUT</sub>
Standby		H	X	X	H	X	X	X	X	HIGH Z
Output Disable		L	H	H	H	X	X	X	X	HIGH Z
Write		L	H	L	H	A0	A1	A6	A9	D <sub>IN</sub>
Sector Protect		L	H	L	Vhv	L	H	L	X	D <sub>IN</sub>
Chip Unprotect		L	H	L	Vhv	L	H	H	X	D <sub>IN</sub>
Verify Sector Protect/ Unprotect		L	L	H	H	L	H	L	Vhv	Code(4)
Reset		X	X	X	L	X	X	X	X	HIGH Z

**Notes:**

1. Vhv is the very high voltage, 11.5V to 12.5V.
2. X means input high (Vih) or input low (Vil).
3. SA means sector address: A12~A17.
4. Code=00H/XX00H means unprotected.  
Code=01H/XX01H means protected.

## REQUIREMENTS FOR READING ARRAY DATA

Read array action is to read the data stored in the array out. While the memory device is in powered up or has been reset, it will automatically enter the status of read array. If the microprocessor wants to read the data stored in array, it has to drive CE# (device enable control pin) and OE# (Output control pin) as  $V_{il}$ , and input the address of the data to be read into address pin at the same time. After a period of read cycle ( $T_{ce}$  or  $T_{aa}$ ), the data being read out will be displayed on output pin for microprocessor to access. If CE# or OE# is  $V_{ih}$ , the output will be in tri-state, and there will be no data displayed on output pin at all.

After the memory device completes embedded operation (automatic Erase or Program), it will automatically return to the status of read array, and the device can read the data in any address in the array. In the process of erasing, if the device receives the Erase suspend command, erase operation will be stopped after a period of time no more than  $T_{eady}$  and the device will return to the status of read array. At this time, the device can read the data stored in any address except the sector being erased in the array. In the status of erase suspend, if user wants to read the data in the sectors being erased, the device will output status data onto the output. Similarly, if program command is issued after erase suspend, after program operation is completed, system can still read array data in any address except the sectors to be erased.

The device needs to issue reset command to enable read array operation again in order to arbitrarily read the data in the array in the following two situations:

1. In program or erase operation, the programming or erasing failure causes Q5 to go high.
2. The device is in auto select mode.

In the two situations above, if reset command is not issued, the device is not in read array mode and system must issue reset command before reading array data.

## WRITE COMMANDS/COMMAND SEQUENCES

To write a command to the device, system must drive WE# and CE# to  $V_{il}$ , and OE# to  $V_{ih}$ . In a command cycle, all address are latched at the later falling edge of CE# and WE#, and all data are latched at the earlier rising edge of CE# and WE#.

Figure 1 illustrates the AC timing waveform of a write command, and Table 3 defines all the valid command sets of the device. System is not allowed to write invalid commands not defined in this datasheet. Writing an invalid command will bring the device to an undefined state.

## RESET# OPERATION

Driving RESET# pin low for a period more than  $T_{rp}$  will reset the device back to read mode. If the device is in program or erase operation, the reset operation will take at most a period of  $T_{eady}$  for the device to return to read array mode. Before the device returns to read array mode, the RY/BY# pin remains low (busy status).

When RESET# pin is held at  $GND \pm 0.3V$ , the device consumes standby current ( $I_{sb}$ ). However, device draws larger current if RESET# pin is held at  $V_{il}$  but not within  $GND \pm 0.3V$ .

It is recommended that the system to tie its reset signal to RESET# pin of flash memory, so that the flash memory will be reset during system reset and allows system to read boot code from flash memory.

**SECTOR PROTECT OPERATION**

When a sector is protected, program or erase operation will be disabled on these sectors. MX29F400C T/B provides one method for sector protection.

Once the sector is protected, the sector remains protected until next chip unprotect, or is temporarily unprotected by asserting RESET# pin at V<sub>h</sub>. Refer to temporary sector unprotect operation for further details.

This method is by applying V<sub>h</sub> on RESET# pin. Refer to Figure 12 for timing diagram and Figure 13 for the algorithm for this method.

**CHIP UNPROTECT OPERATION**

MX29F400C T/B provides one method for chip unprotect. The chip unprotect operation unprotects all sectors within the device. It is recommended to protect all sectors before activating chip unprotect mode. All sectors are unprotected when shipped from the factory.

This method is by applying V<sub>h</sub> on RESET# pin. Refer to Figure 12 for timing diagram and Figure 13 for algorithm of the operation.

**TEMPORARY SECTOR UNPROTECT OPERATION**

System can apply RESET# pin at V<sub>h</sub> to place the device in temporary unprotect mode. In this mode, previously protected sectors can be programmed or erased just as it is unprotected. The device returns to normal operation once V<sub>h</sub> is removed from RESET# pin and previously protected sectors are again protected.

**AUTOMATIC SELECT OPERATION**

When the device is in Read array mode or erase-suspended read array mode, user can issue read silicon ID command to enter read silicon ID mode. After entering read silicon ID mode, user can query several silicon IDs continuously and does not need to issue read silicon ID mode again. When A0 is Low, device will output Macronix Manufacture ID C2. When A0 is high, device will output Device ID. In read silicon ID mode, issuing reset command will reset device back to read array mode or erase-suspended read array mode.

Another way to enter read silicon ID is to apply high voltage on A9 pin with CE#, OE# and A1 at V<sub>il</sub>. While the high voltage of A9 pin is discharged, device will automatically leave read silicon ID mode and go back to read array mode or erase-suspended read array mode. When A0 is Low, device will output Macronix Manufacture ID C2. When A0 is high, device will output Device ID.



## VERIFY SECTOR PROTECT STATUS OPERATION

MX29F400C T/B provides hardware sector protection against Program and Erase operation for protected sectors. The sector protect status can be read through Sector Protect Verify command. This method requires  $V_{hv}$  on A9 pin,  $V_{ih}$  on WE# and A1 pins,  $V_{il}$  on CE#, OE#, A6 and A0 pins, and sector address on A12 to A17 pins. If the read out data is 01H, the designated sector is protected. Oppositely, if the read out data is 00H, the designated sector is still not being protected.

## DATA PROTECTION

To avoid accidental erasure or programming of the device, the device is automatically reset to read array mode during power up. Besides, only after successful completion of the specified command sets will the device begin its erase or program operation.

Other features to protect the data from accidental alternation are described as followed.

## WRITE PULSE "GLITCH" PROTECTION

CE#, WE#, OE# pulses shorter than 5ns are treated as glitches and will not be regarded as an effective write cycle.

## LOGICAL INHIBIT

A valid write cycle requires both CE# and WE# at  $V_{il}$  with OE# at  $V_{ih}$ . Write cycle is ignored when either CE# at  $V_{ih}$ , WE# a  $V_{ih}$ , or OE# at  $V_{il}$ .

## POWER-UP SEQUENCE

Upon power up, MX29F400C T/B is placed in read array mode. Furthermore, program or erase operation will begin only after successful completion of specified command sequences.

## POWER-UP WRITE INHIBIT

When WE#, CE# is held at  $V_{il}$  and OE# is held at  $V_{ih}$  during power up, the device ignores the first command on the rising edge of WE#.

## POWER SUPPLY DECOUPLING

A 0.1uF capacitor should be connected between the Vcc and GND to reduce the noise effect.

**TABLE 3. MX29F400C T/B COMMAND DEFINITIONS**

Command		Read Mode	Reset Mode	Automatic Select						Program		Chip Erase	
				Manufacturer ID		Device ID		Sector Protect Verify					
	Hex			Word	Byte	Word	Byte	Word	Byte	Word	Byte	Word	Byte
1st Bus Cycle	Addr	Addr	XXX	555	AAA	555	AAA	555	AAA	555	AAA	555	AAA
	Data	Data	F0	AA	AA	AA	AA	AA	AA	AA	AA	AA	AA
2nd Bus Cycle	Addr			2AA	555	2AA	555	2AA	555	2AA	555	2AA	555
	Data			55	55	55	55	55	55	55	55	55	55
3rd Bus Cycle	Addr			555	AAA	555	AAA	555	AAA	555	AAA	555	AAA
	Data			90	90	90	90	90	90	A0	A0	80	80
4th Bus Cycle	Addr			X00	X00	X01	X02	(Sector) X02	(Sector) X04	Addr	Addr	555	AAA
	Data			00C2	C2	ID	ID	XX00/XX01	00/01	Data	Data	AA	AA
5th Bus Cycle	Addr											2AA	555
	Data											55	55
6th Bus Cycle	Addr											555	AAA
	Data											10	10

Command		Sector Erase		Erase Suspend	Erase Resume	Sector Protect	
	Hex	Word	Byte			Word	Byte
1st Bus Cycle	Addr	555	AAA	Sector	Sector	XXX	XXX
	Data	AA	AA	B0	30	60	60
2nd Bus Cycle	Addr	2AA	555			Sector	Sector
	Data	55	55			60	60
3rd Bus Cycle	Addr	555	AAA			Sector	Sector
	Data	80	80			40	40
4th Bus Cycle	Addr	555	AAA			Sector	Sector
	Data	AA	AA			00/01	00/01
5th Bus Cycle	Addr	2AA	555				
	Data	55	55				
6th Bus Cycle	Addr	Sector	Sector				
	Data	30	30				

Notes:

1. Device ID: 2223H/23H for Top Boot Sector device.  
22ABH/ABH for Bottom Boot Sector device.
2. For sector protect verify result, XX00H/00H means sector is not protected, XX01H/01H means sector has been protected.
3. Sector Protect command is valid during V<sub>hv</sub> at RESET# pin, V<sub>ih</sub> at A1 pin and V<sub>il</sub> at A0, A6 pins. The last Bus cyc is for protect verify.
4. It is not allowed to adopt any other code which is not in the above command definition table.

**RESET**

In the following situations, executing reset command will reset device back to read array mode:

- Among erase command sequence (before the full command set is completed)
- Sector erase time-out period
- Erase fail (while Q5 is high)
- Among program command sequence (before the full command set is completed, erase-suspended program included)
- Program fail (while Q5 is high, and erase-suspended program fail is included)
- Read silicon ID mode
- Sector protect verify

While device is at the status of program fail or erase fail (Q5 is high), user must issue reset command to reset device back to read array mode. While the device is in read silicon ID mode or sector protect verify mode, user must issue reset command to reset device back to read array mode.

When the device is in the progress of programming (not program fail) or erasing (not erase fail), device will ignore reset command.

**AUTOMATIC SELECT COMMAND SEQUENCE**

Automatic Select mode is used to access the manufacturer ID, device ID and to verify whether or not a sector is protected. The automatic select mode has four command cycles. The first two are unlock cycles, and followed by a specific command. The fourth cycle is a normal read cycle, and user can read at any address any number of times without entering another command sequence. The reset command is necessary to exit the Automatic Select mode and back to read array. The following table shows the identification code with corresponding address.

		Address	Data (Hex)	Representation
Manufacturer ID	Word	X00	00C2	
	Byte	X00	C2	
Device ID	Word	X01	2223/22AB	Top/Bottom Boot Sector
	Byte	X02	23/AB	Top/Bottom Boot Sector
Sector Protect Verify	Word	(Sector address) X 02	00/01	Unprotected/protected
	Byte	(Sector address) X 04	00/01	Unprotected/protected

There is an alternative method to that shown in Table 2, which is intended for EPROM programmers and requires V<sub>hv</sub> on address bit A9.

## AUTOMATIC PROGRAMMING

The MX29F400C T/B can provide the user program function by the form of Byte-Mode or Word-Mode. As long as the users enter the right cycle defined in the Table.3 (including 2 unlock cycles and A0H), any data user inputs will automatically be programmed into the array.

Once the program function is executed, the internal write state controller will automatically execute the algorithms and timings necessary for program and verification, which includes generating suitable program pulse, verifying whether the threshold voltage of the programmed cell is high enough and repeating the program pulse if any of the cells does not pass verification. Meanwhile, the internal control will prohibit the programming to cells that pass verification while the other cells fail in verification in order to avoid over-programming.

Programming will only change the bit status from "1" to "0". That is to say, it is impossible to convert the bit status from "0" to "1" by programming. Meanwhile, the internal write verification only detects the errors of the "1" that is not successfully programmed to "0".

Any command written to the device during programming will be ignored except hardware reset, which will terminate the program operation after a period of time no more than Tready. When the embedded program algorithm is complete or the program operation is terminated by hardware reset, the device will return to the reading array data mode.

With the internal write state controller, the device requires the user to write the program command and data only. The typical chip program time at room temperature of the MX29F400C T/B is 3 seconds. (Word-Mode)

When the embedded program operation is on going, user can confirm if the embedded operation is finished or not by the following methods:

Status	Q7	Q6	Q5	RY/BY#*2
In progress*1	Q7#	Toggling	0	0
Finished	Q7	Stop toggling	0	1
Exceed time limit	Q7#	Toggling	1	0

\*1: The status "in progress" means both program mode and erase-suspended program mode.

\*2: RY/BY# is an open drain output pin and should be weakly connected to VDD through a pull-up resistor.

\*3: When an attempt is made to program a protected sector, Q7 will output its complement data or Q6 continues to toggle for about 1us and the device returns to read array state without programming the data in the protected sector.

**CHIP ERASE**

Chip Erase is to erase all the data with "1" and "0" as all "1". It needs 6 cycles to write the action in, and the first two cycles are "unlock" cycles, the third one is a configuration cycle, the fourth and fifth are also "unlock" cycles, and the sixth cycle is the chip erase operation.

During chip erasing, all the commands will not be accepted except hardware rests or the working voltage is too low that chip erase will be interrupted. After Chip Erase, the chip will return to the state of Read Array.

When the embedded chip erase operation is on going, user can confirm if the embedded operation is finished or not by the following methods:

Status	Q7	Q6	Q5	Q2	RY/BY#
In progress	0	Toggling	0	Toggling	0
Finished	1	Stop toggling	0	1	1
Exceed time limit	0	Toggling	1	Toggling	0

**SECTOR ERASE**

Sector Erase is to erase all the data in a sector with "1" and "0" as all "1". It requires six command cycles to issue. The first two cycles are "unlock cycles", the third one is a configuration cycle, the fourth and fifth are also "unlock cycles" and the sixth cycle is the sector erase command. After the sector erase command sequence is issued, there is a time-out period of 50us counted internally. During the time-out period, additional sector address and sector erase command can be written multiply. Once user enters another sector erase command, the time-out period of 50us is recounted. If user enters any command other than sector erase or erase suspend during time-out period, the erase command would be aborted and the device is reset to read array condition. The number of sectors could be from one sector to all sectors. After time-out period passing by, additional erase command is not accepted and erase embedded operation begins.

During sector erasing, all commands will not be accepted except hardware reset and erase suspend and user can check the status as chip erase.

When the embedded erase operation is on going, user can confirm if the embedded operation is finished or not by the following methods:

Status	Q7	Q6	Q5	Q3	Q2	RY/BY#*2
Time-out period	0	Toggling	0	0	Toggling	0
In progress	0	Toggling	0	1	Toggling	0
Finished	1	Stop toggling	0	1	1	1
Exceed time limit	0	Toggling	1	1	Toggling	0

\*1: The status Q3 is the time-out period indicator. When Q3=0, the device is in time-out period and is acceptable to another sector address to be erased. When Q3=1, the device is in erase operation and only erase suspend is valid.

\*2: RY/BY# is open drain output pin and should be weakly connected to VDD through a pull-up resistor.

\*3: When an attempt is made to erase a protected sector, Q7 will output its complement data or Q6 continues to toggle for 100us and the device returned to read array status without erasing the data in the protected sector.

**SECTOR ERASE SUSPEND**

During sector erasure, sector erase suspend is the only valid command. If user issue erase suspend command in the time-out period of sector erasure, device time-out period will be over immediately and the device will go back to erase-suspended read array mode. If user issue erase suspend command during the sector erase is being operated, device will suspend the ongoing erase operation, and after the Tready1( $\leq 20\mu s$ ) suspend finishes and the device will enter erase-suspended read array mode. User can judge if the device has finished erase suspend through Q6, Q7, and RY/BY#.

After device has entered erase-suspended read array mode, user can read other sectors not at erase suspend by the speed of Taa; while reading the sector in erase-suspend mode, device will output its status. User can use Q6 and Q2 to judge the sector is erasing or the erase is suspended.

Status	Q7	Q6	Q5	Q3	Q2	RY/BY#
Erase suspend read in erase suspended sector	1	No toggle	0	N/A	Toggle	1
Erase suspend read in non-erase suspended sector	Data	Data	Data	Data	Data	1
Erase suspend program in non-erase suspended sector	Q7#	Toggle	0	N/A	N/A	0

When the device has suspended erasing, user can execute the command sets except sector erase and chip erase, such as read silicon ID, sector protect verify, program, and erase resume.

**SECTOR ERASE RESUME**

Sector erase resume command is valid only when the device is in erase suspend state. After erase resume, user can issue another erase suspend command, but there should be a 400us interval between erase resume and the next erase suspend. If user issue infinite suspend-resume loop, or suspend-resume exceeds 1024 times, the time for erasing will increase.



**ABSOLUTE MAXIMUM STRESS RATINGS**

Surrounding Temperature with Bias .....	-65°C to +125°C
Storage Temperature .....	-65°C to +150°C
<b>Voltage Range</b>	
Vcc .....	-0.5V to +7.0 V
RESET#, A9.....	-0.5V to +13.5 V
The other pins. ....	-0.5V to Vcc +0.7 V
Output Short Circuit Current (less than one second) .....	200 mA

Note:

1. Minimum voltage may undershoot to -2V during transition and for less than 20ns during transitions.
2. Maximum voltage may overshoot to VCC+2V during transition and for less than 20ns during transitions.

**OPERATING TEMPERATURE AND VOLTAGE**

**Commercial (C) Grade**

Surrounding Temperature (TA) .....	0°C to +70°C
------------------------------------	--------------

**Industrial (I) Grade**

Surrounding Temperature (TA) .....	-40°C to +85°C
------------------------------------	----------------

**Vcc Supply Voltages**

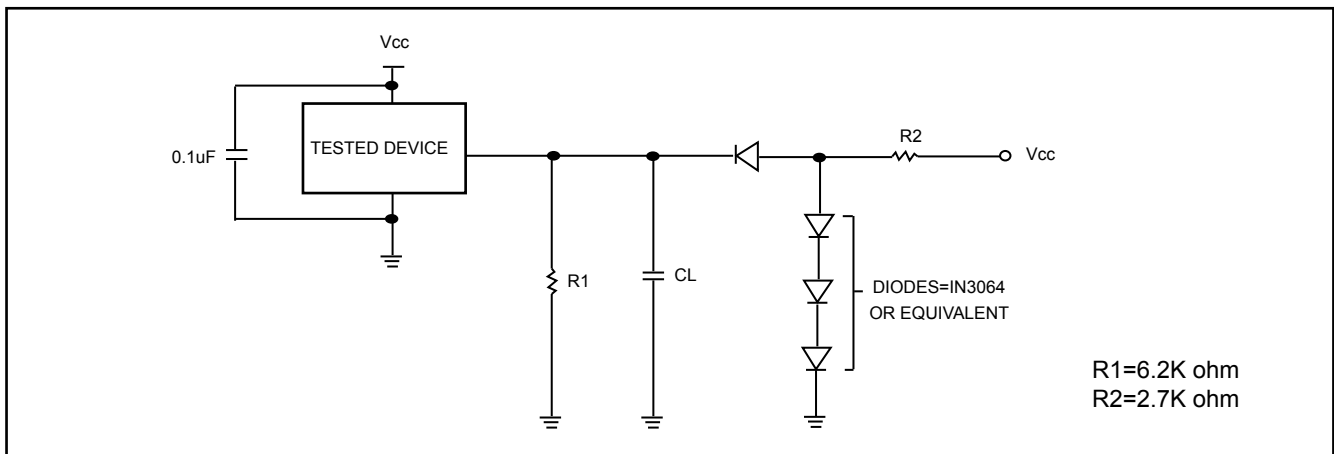
Vcc range. ....	+4.5V to 5.5V
-----------------	---------------

**DC CHARACTERISTICS**

Symbol	Description	Min	Typ	Max	Remark
Iilk	Input Leak			± 1.0uA	
Iolk	Output Leak			10uA	
Icr1	Read Current (10MHz)			50mA	CE#=Vil, OE#=Vih
Icr2	Read Current (5MHz)			40mA	CE#=Vil, OE#=Vih
I <b>s</b> b1	Standby Current (TTL)			1mA	Vcc=Vcc max, CE#=Vih other pin disabled
I <b>s</b> b2	Standby current (CMOS)		1uA	5uA	Vcc=Vcc max, CE#=vcc +0.3V, other pin disabled
Icw	Write Current		15mA	30mA	CE#=Vil, OE#=Vih WE#=Vil
Vil	Input Low Voltage	-0.3V		0.8V	
Vih	Input High Voltage	0.7xVcc		Vcc+0.3V	
Vhv	Very High Voltage for hardware Protect/ Unprotect/Auto Select/Temporary Unprotect	11.5V	12V	12.5V	
Vol	Output Low Voltage			0.45V	Iol=2.1mA, Vcc=Vcc min
Voh1	Ouput High Voltage (TTL)	2.4V			Ioh1=-2mA
Voh2	Ouput High Voltage (CMOS)	Vcc-0.4V			Ioh2=-100uA

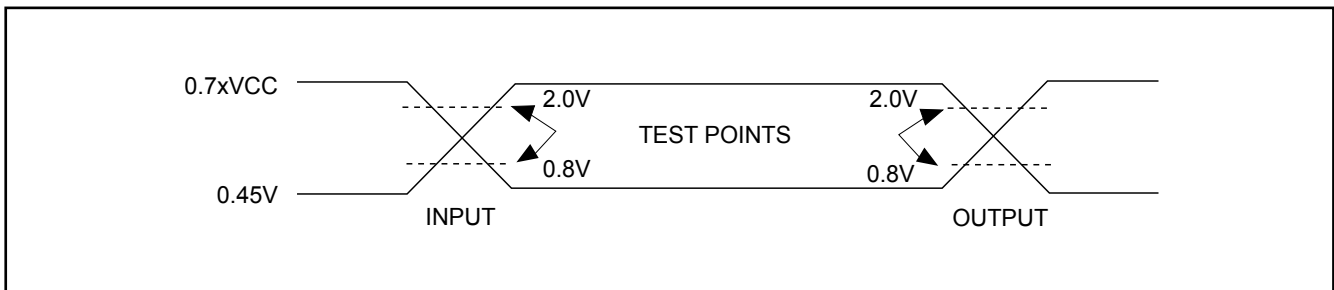


**SWITCHING TEST CIRCUITS**



Test Condition  
 Output Load : 1 TTL gate  
 Output Load Capacitance, CL : 100PF for 90ns ; 30PF for 70ns  
 Rise/Fall Times : 10ns  
 Input pulse levels: 0.45V/0.7xVcc  
 Reference levels for measuring timing :0.8V, 2.0V

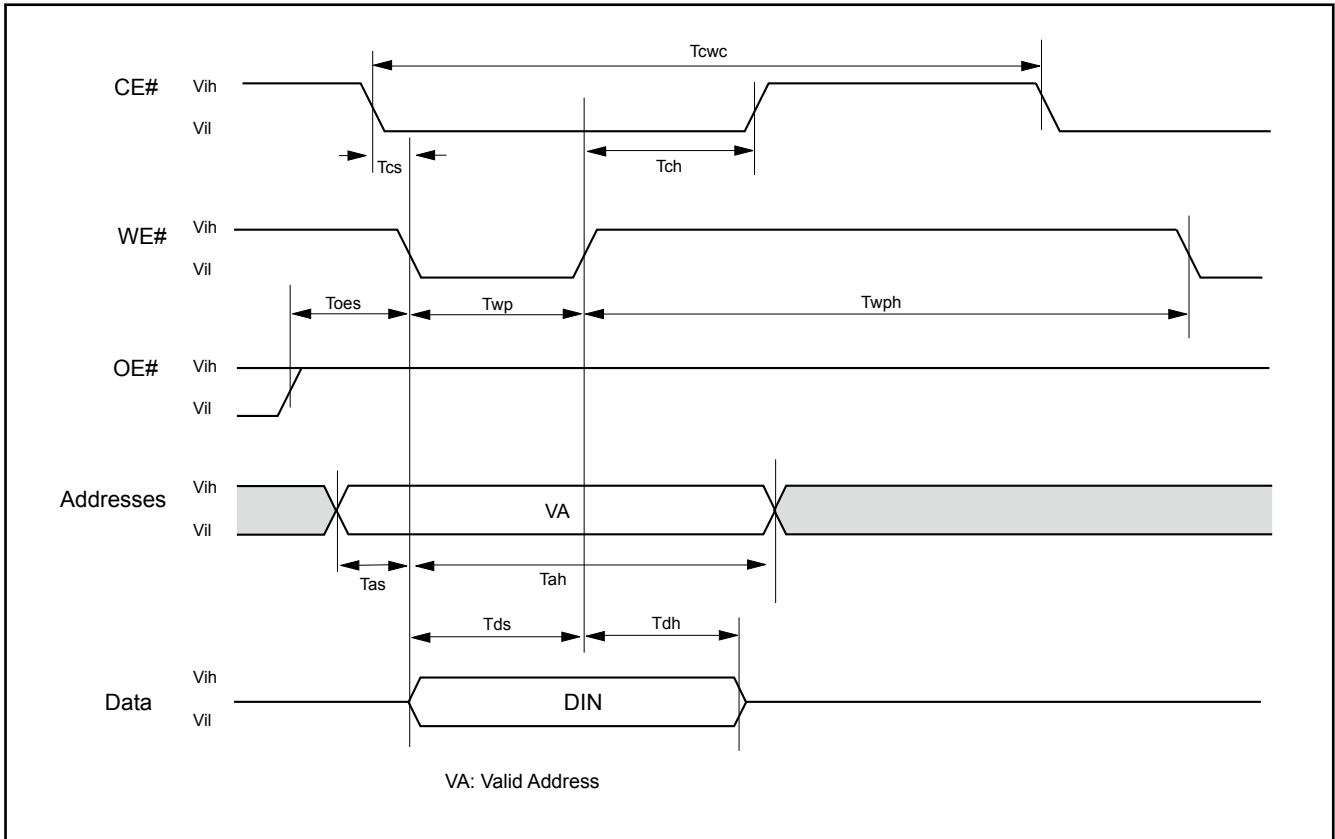
**SWITCHING TEST WAVEFORMS**



**AC CHARACTERISTICS**

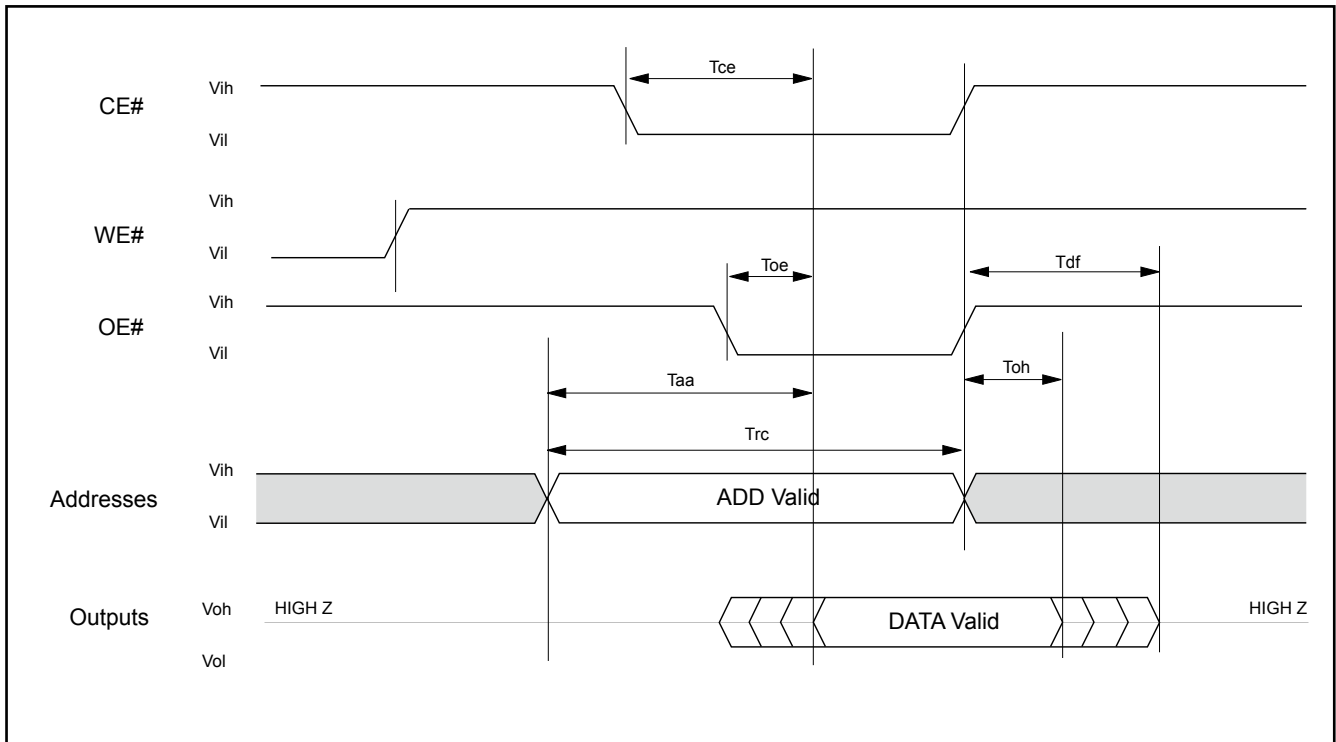
Symbol	Description	Speed Option -70/90			Unit	
		Min	Typ	Max		
Taa	Valid data output after address			70/90	ns	
Tce	Valid data output after CE# low			70/90	ns	
Toe	Valid data output after OE# low			30/35	ns	
Tdf	Data output floating after OE# high			20	ns	
Toh	Output hold time from the earliest rising edge of Addrss, CE#, OE#	0			ns	
Trc	Read period time	70/90			ns	
Twc	Write period time	70/90			ns	
Tcwc	Command write period time	70/90			ns	
Tas	Address setup time	0			ns	
Tah	Address hold time	45			ns	
Tds	Data setup time	30/45			ns	
Tdh	Data hold time	0			ns	
Tvcs	Vcc setup time	50			us	
Tcs	CE# Setup time	0			ns	
Tch	CE# hold time	0			ns	
Toes	OE# setup time	0			ns	
Toeh	Output enable hold time	Read	0		ns	
		Toggle & Data# Polling	10		ns	
Tws	WE# setup time	0			ns	
Twh	WE# hold time	0			ns	
Tcep	CE# pulse width	35/45			ns	
Tceph	CE# pulse width high	20			ns	
Twp	WE# pulse width	35			ns	
Twph	WE# pulse width high	30			ns	
Tghwl	Read recover time before write	0			ns	
Tbusy	Program/Erase active time by RY/BY#			90	ns	
Tavt	Program operation	Byte		9	300	us
		Word		11	360	us
Taetc	Chip Erase Operation		4	32	sec	
Taetb	Sector Erase Operation		0.7	8	sec	
Tbal	Sector Address hold time			50	us	

**Figure 1. COMMAND WRITE OPERATION**



### READ/RESET OPERATION

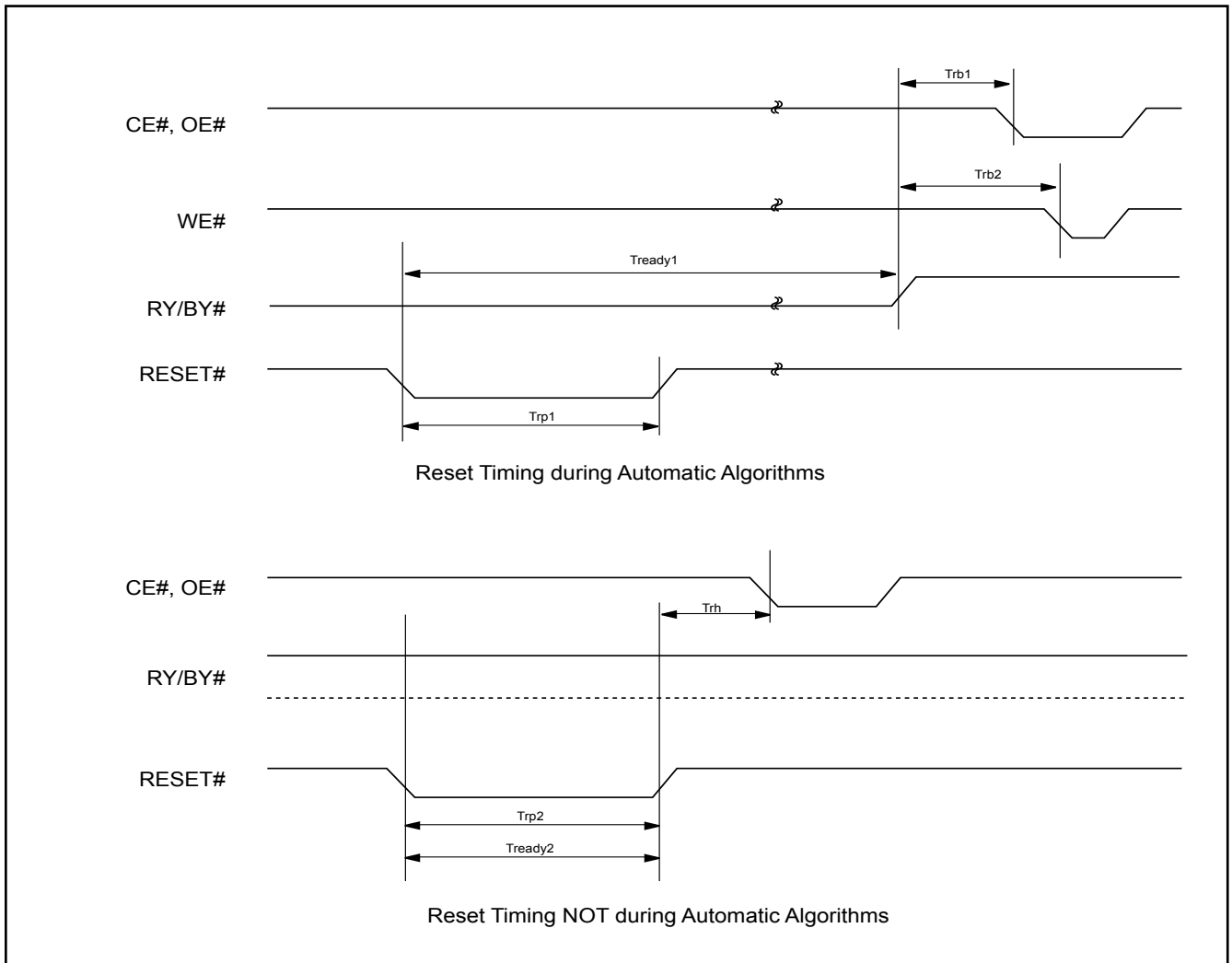
Figure 2. READ TIMING WAVEFORMS



**AC CHARACTERISTICS**

Item	Description	Setup	Speed	Unit
Trp1	RESET# Pulse Width (During Automatic Algorithms)	MIN	10	us
Trp2	RESET# Pulse Width (NOT During Automatic Algorithms)	MIN	500	ns
Trh	RESET# High Time Before Read	MIN	0	ns
Trb1	RY/BY# Recovery Time (to CE#, OE# go low)	MIN	0	ns
Trb2	RY/BY# Recovery Time (to WE# go low)	MIN	50	ns
Tready1	RESET# PIN Low (During Automatic Algorithms) to Read or Write	MAX	20	us
Tready2	RESET# PIN Low (NOT During Automatic Algorithms) to Read or Write	MAX	500	ns

**Figure 3. RESET# TIMING WAVEFORM**



**ERASE/PROGRAM OPERATION**

**Figure 4. AUTOMATIC CHIP ERASE TIMING WAVEFORM**

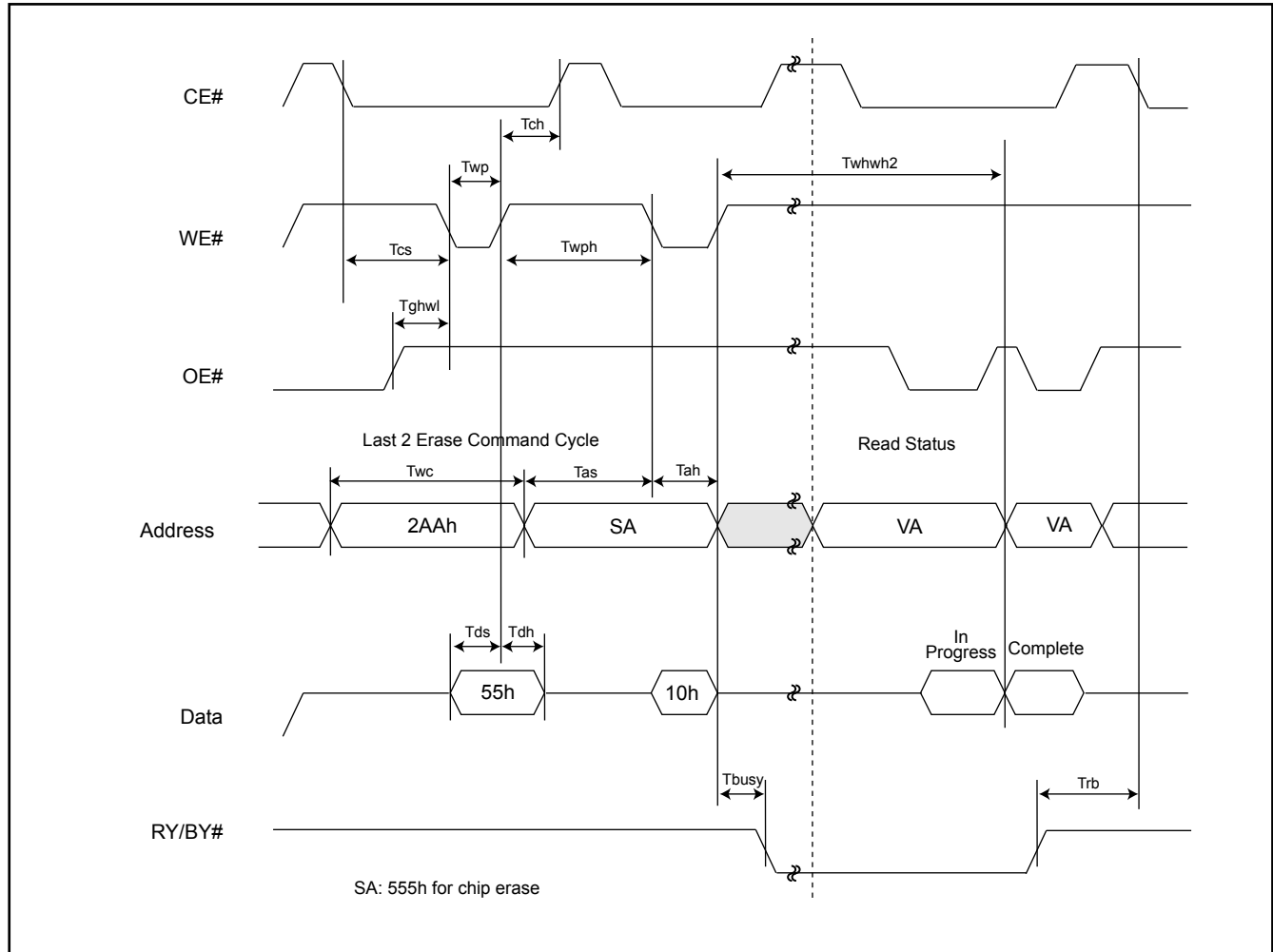
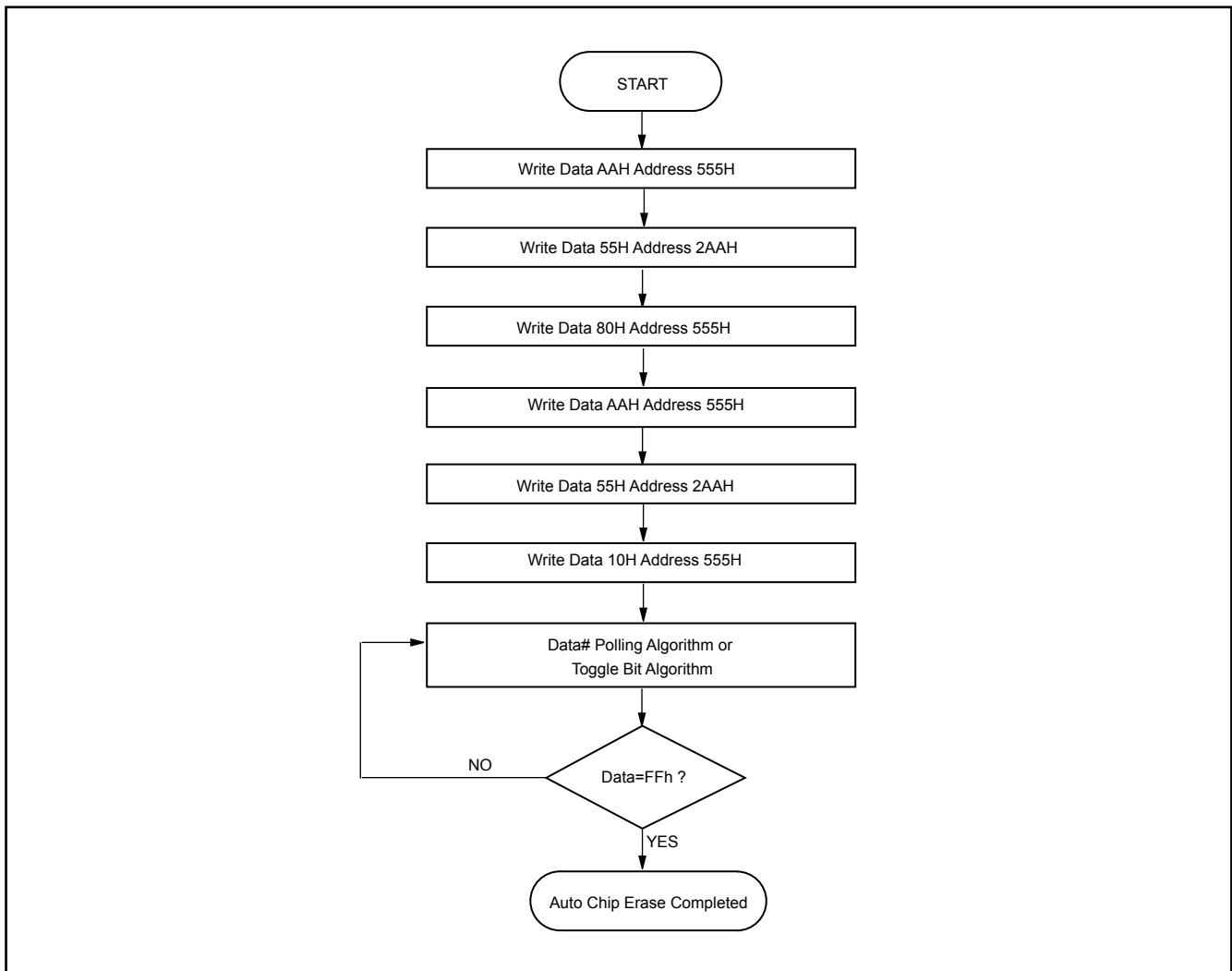


Figure 5. AUTOMATIC CHIP ERASE ALGORITHM FLOWCHART



**Figure 6. AUTOMATIC SECTOR ERASE TIMING WAVEFORM**

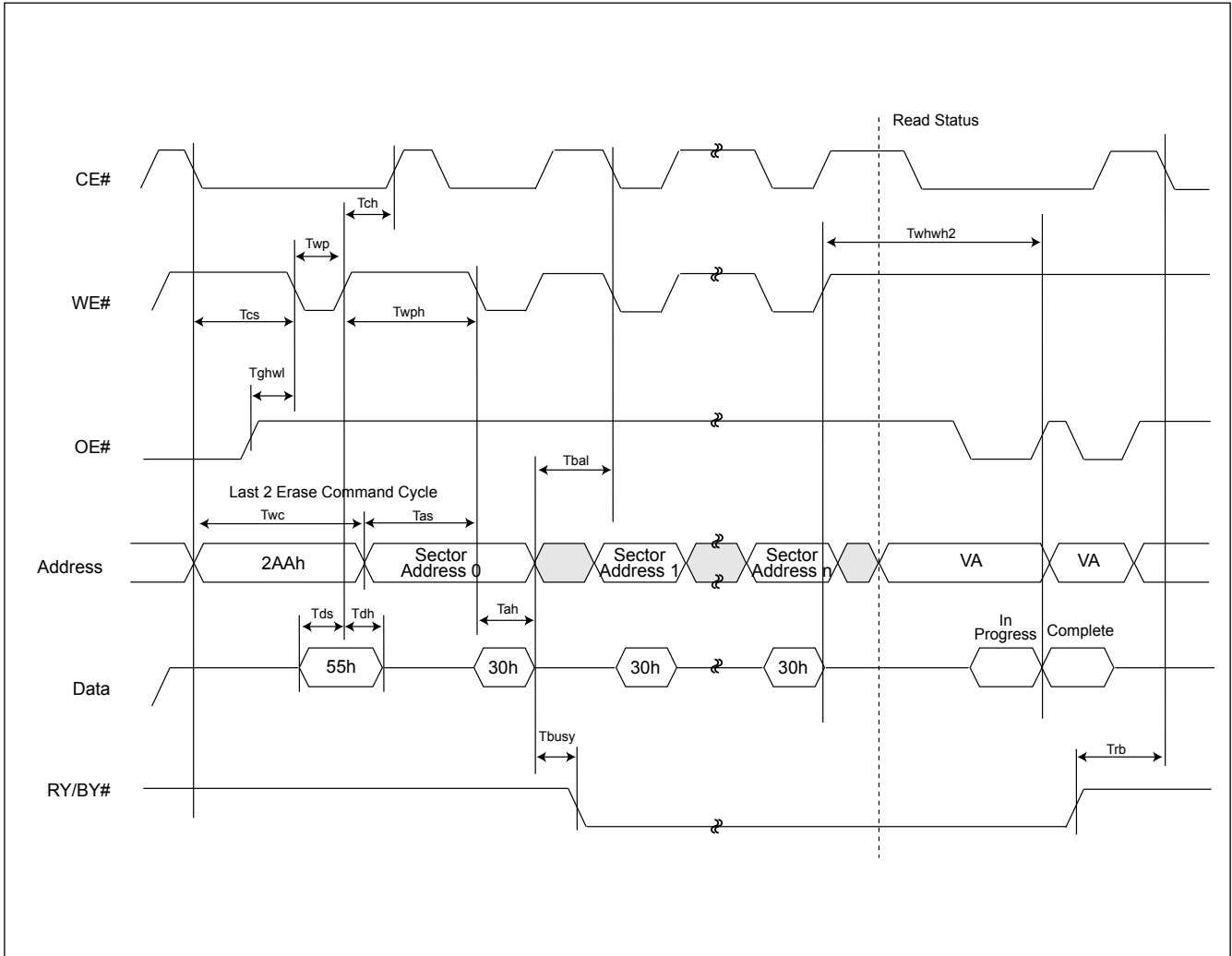




Figure 7. AUTOMATIC SECTOR ERASE ALGORITHM FLOWCHART

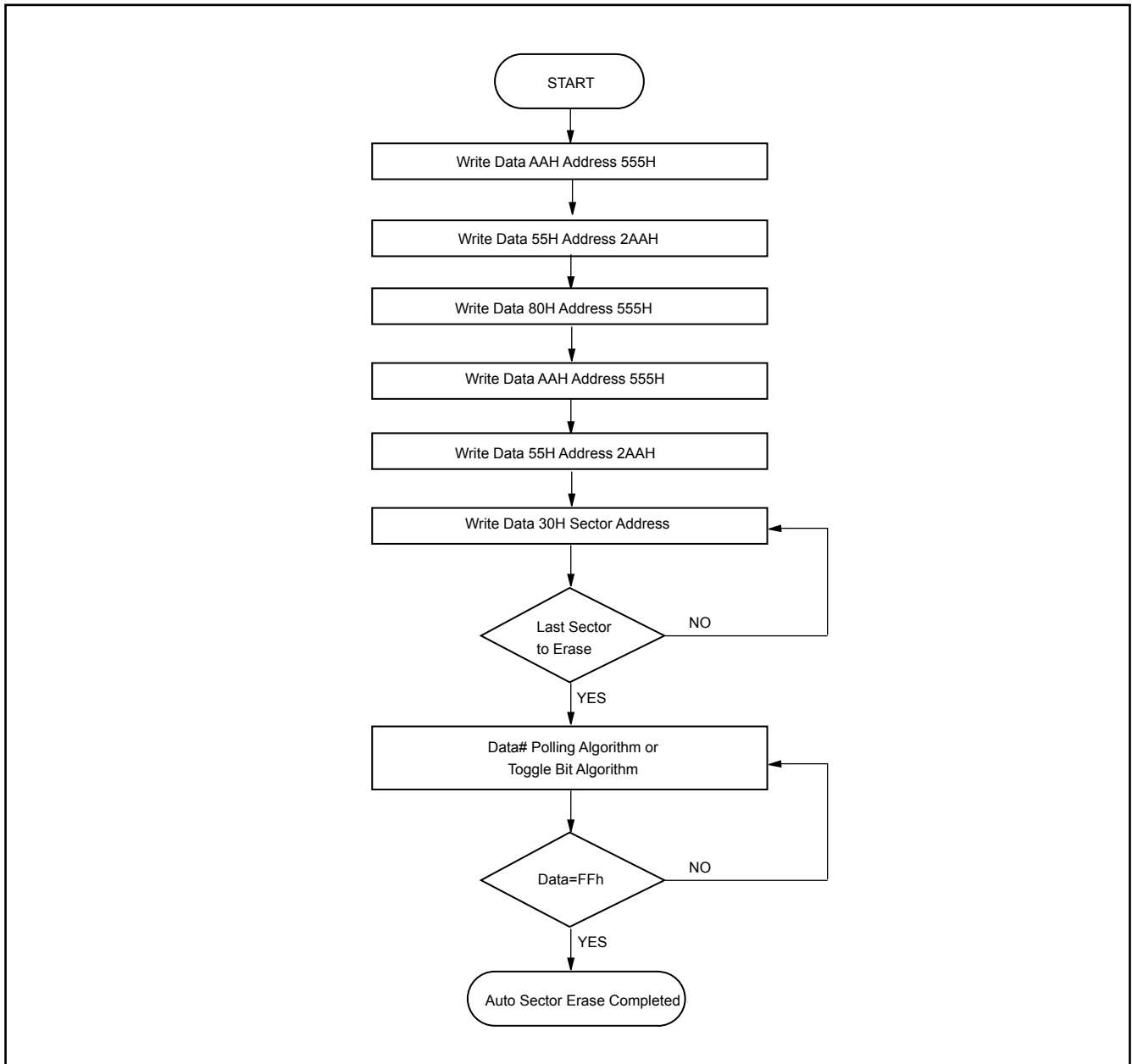
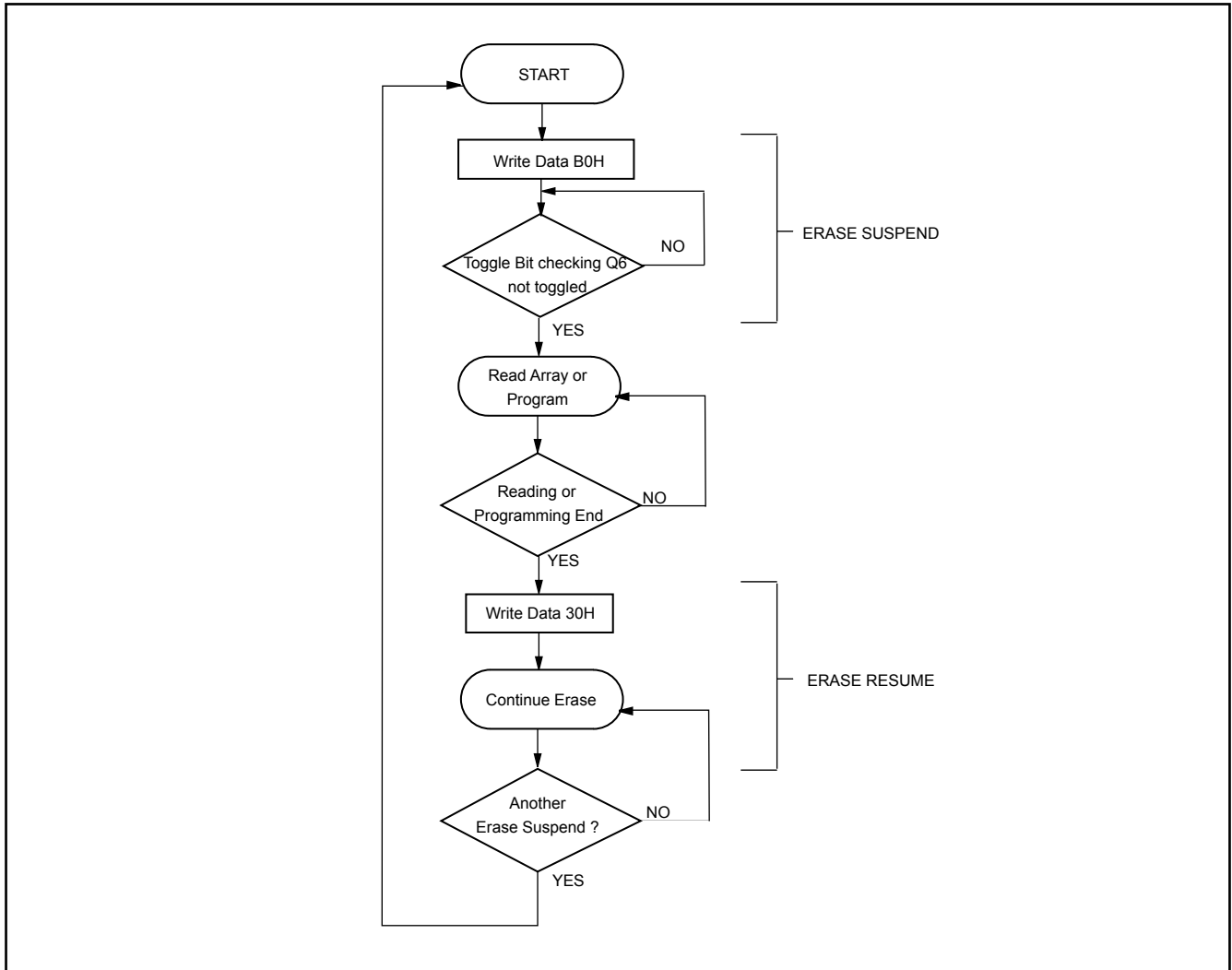
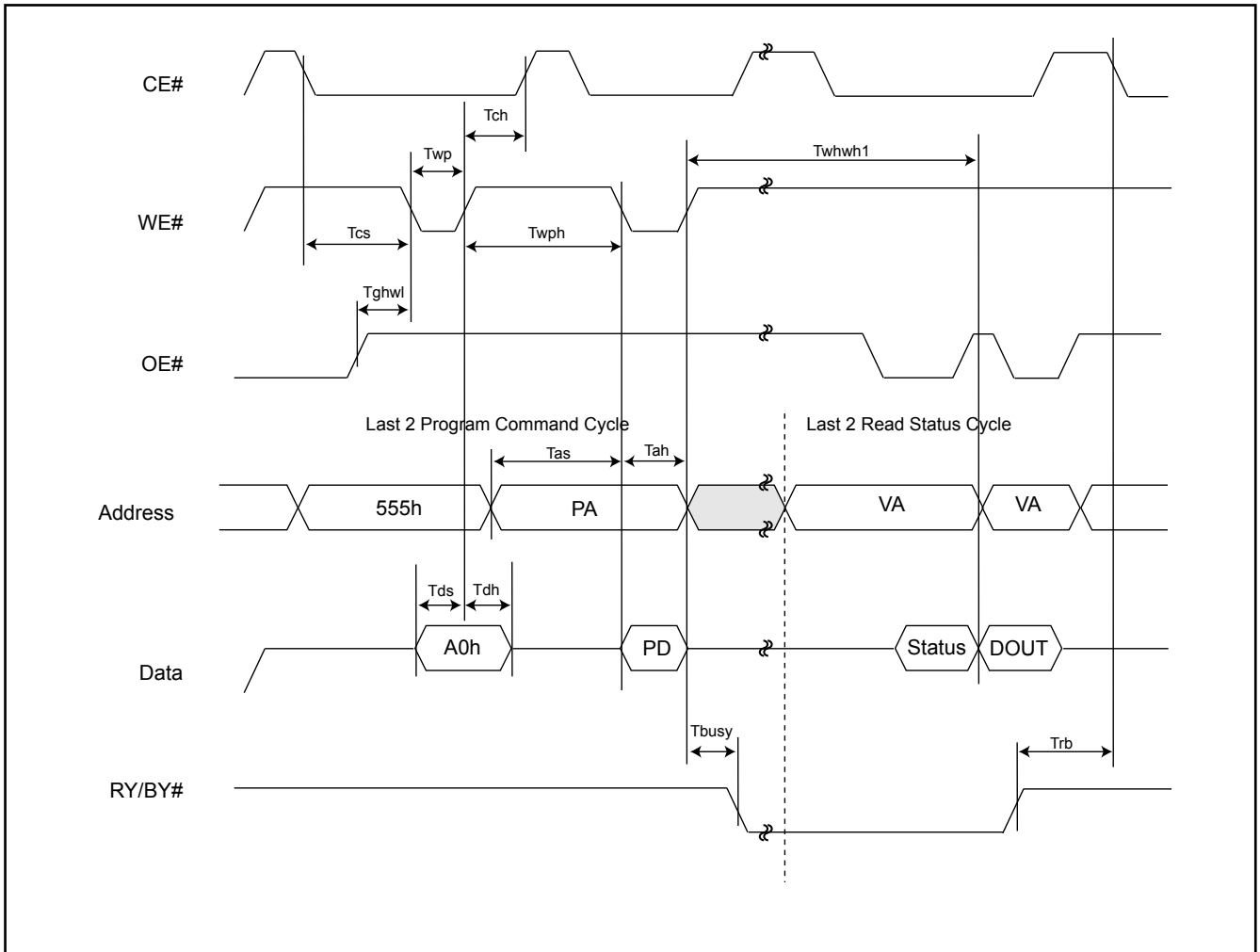


Figure 8. ERASE SUSPEND/RESUME FLOWCHART



**Figure 9. AUTOMATIC PROGRAM TIMING WAVEFORMS**



**Figure 10. CE# CONTROLLED WRITE TIMING WAVEFORM**

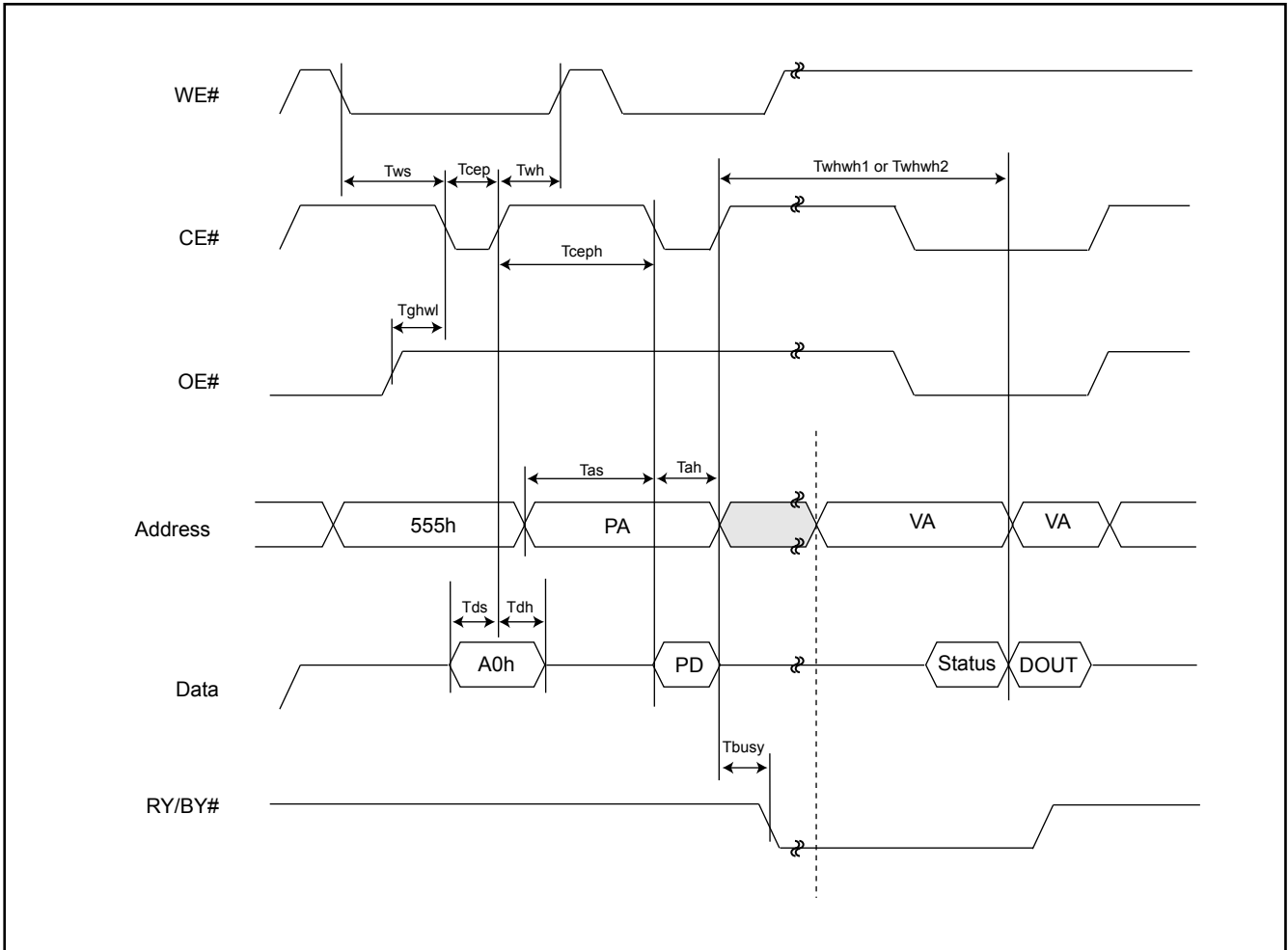
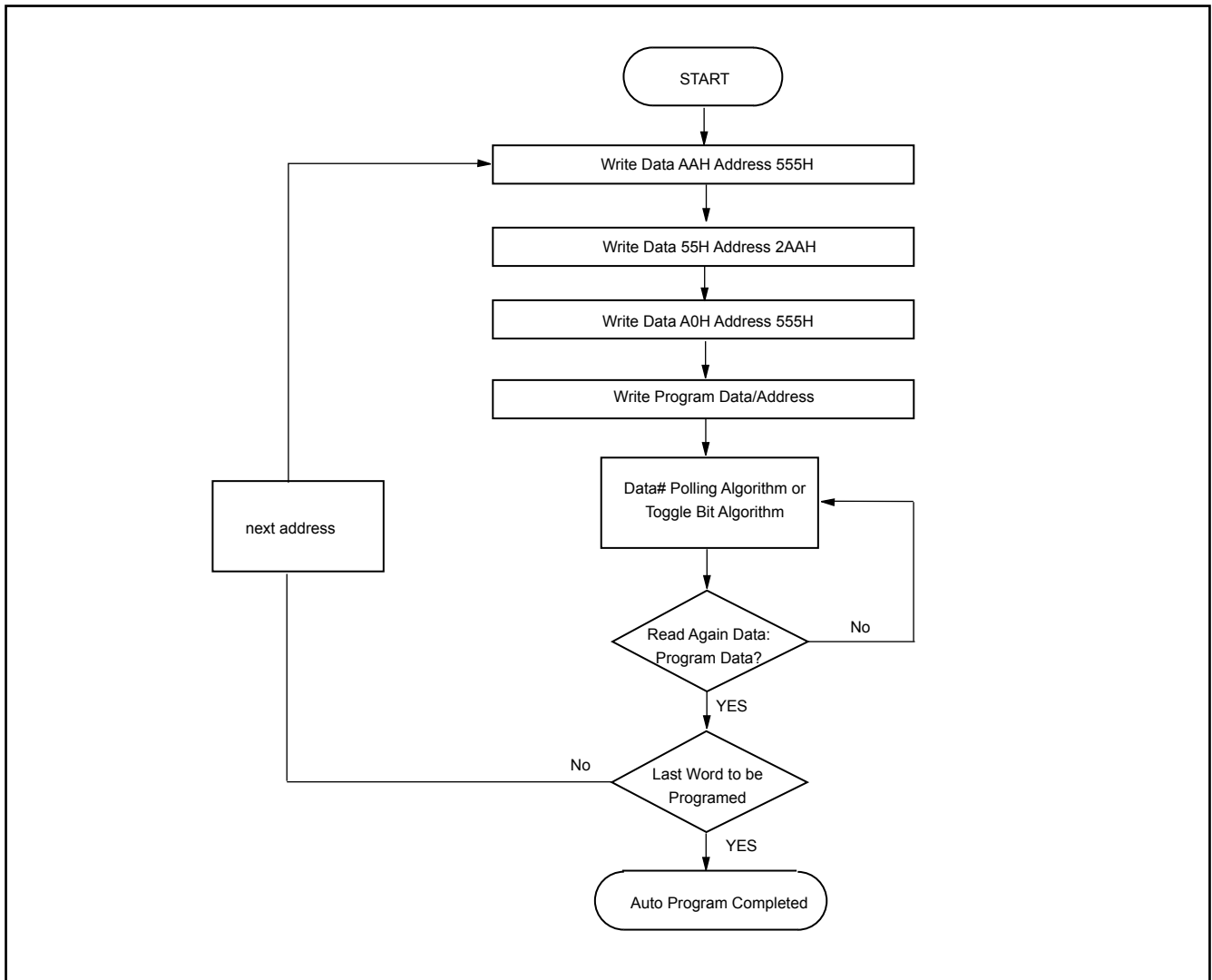
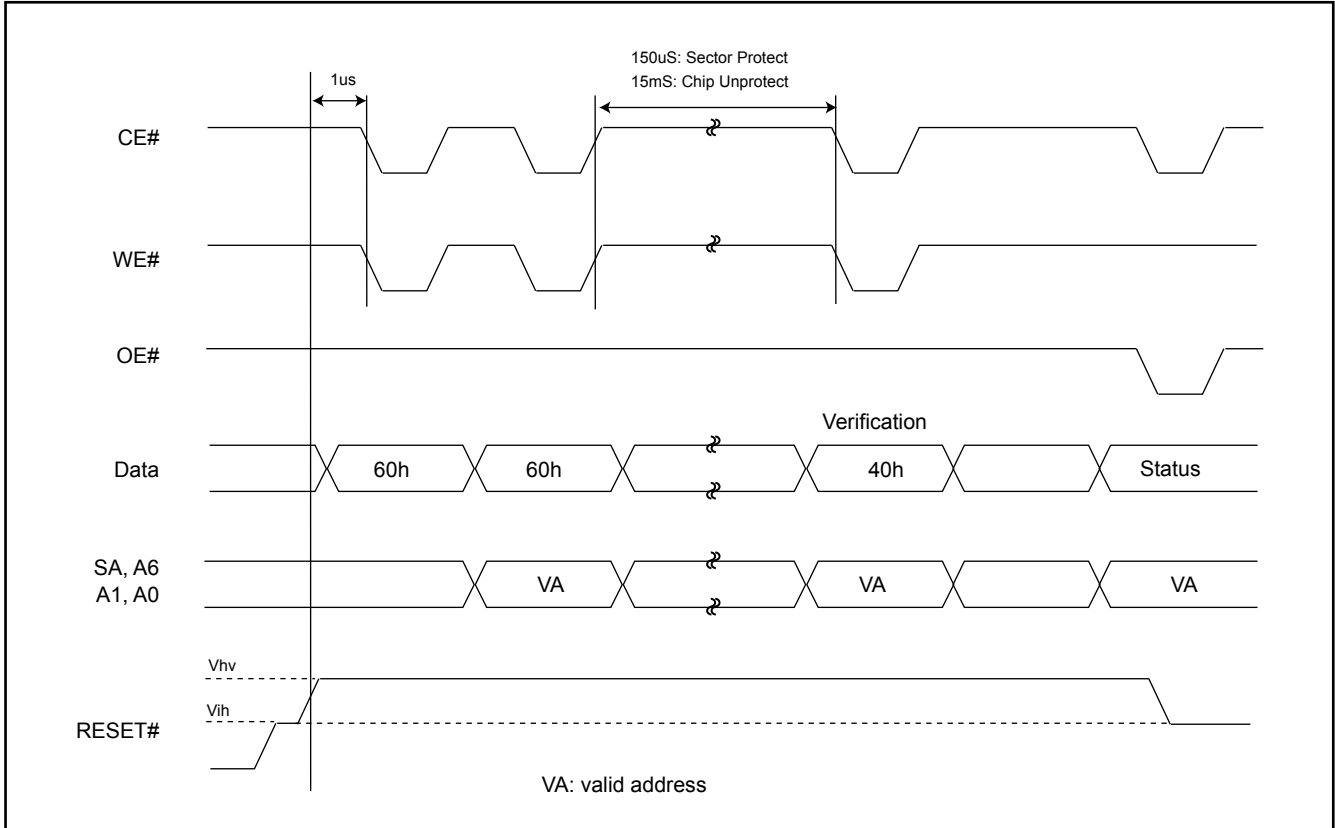


Figure 11. AUTOMATIC PROGRAMMING ALGORITHM FLOWCHART



**SECTOR PROTECT/CHIP UNPROTECT**

**Figure 12. SECTOR PROTECT/CHIP UNPROTECT WAVEFORM (RESET# Control)**



**Figure 13-1. IN-SYSTEM SECTOR PROTECT WITH RESET# = Vhv**

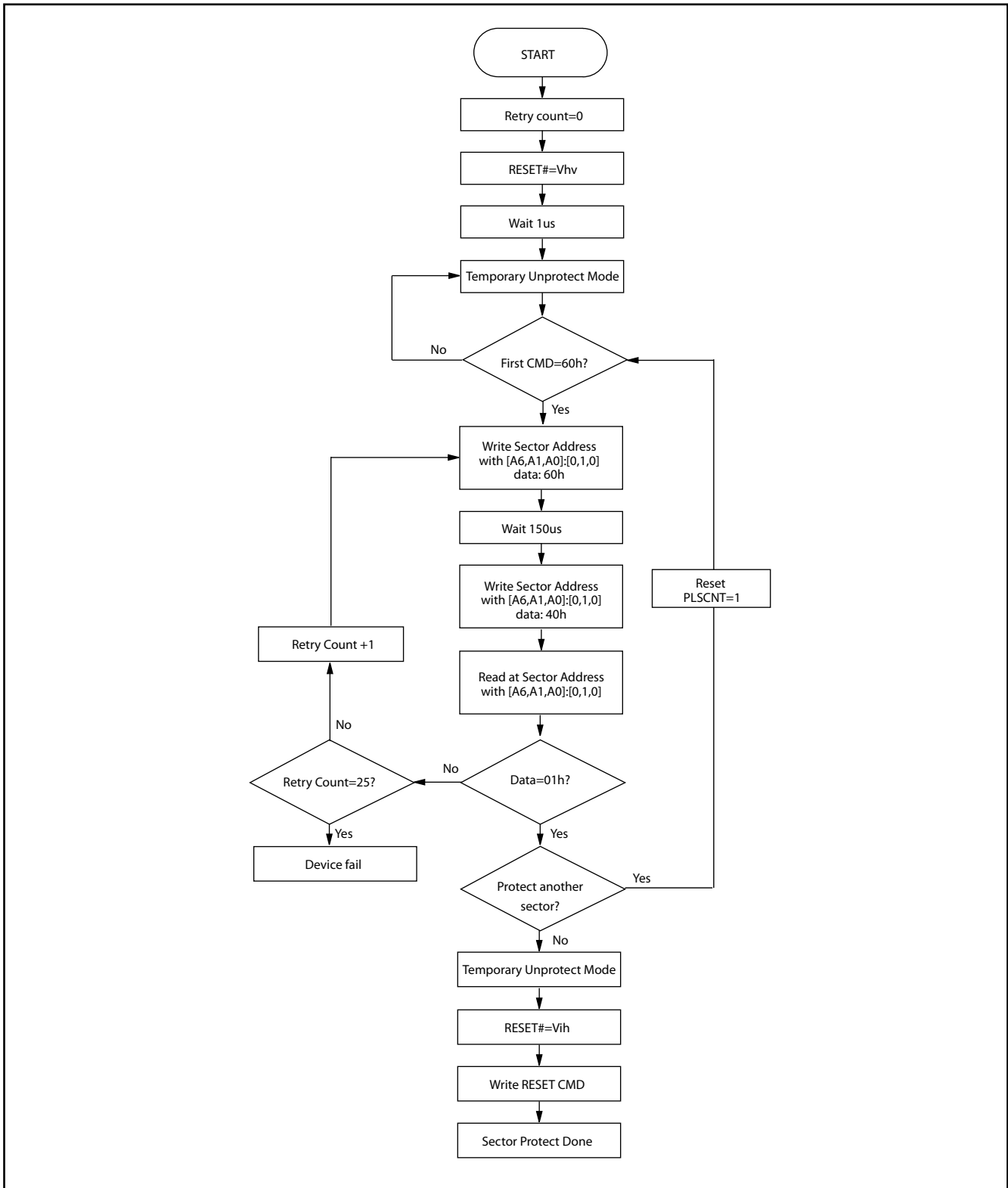
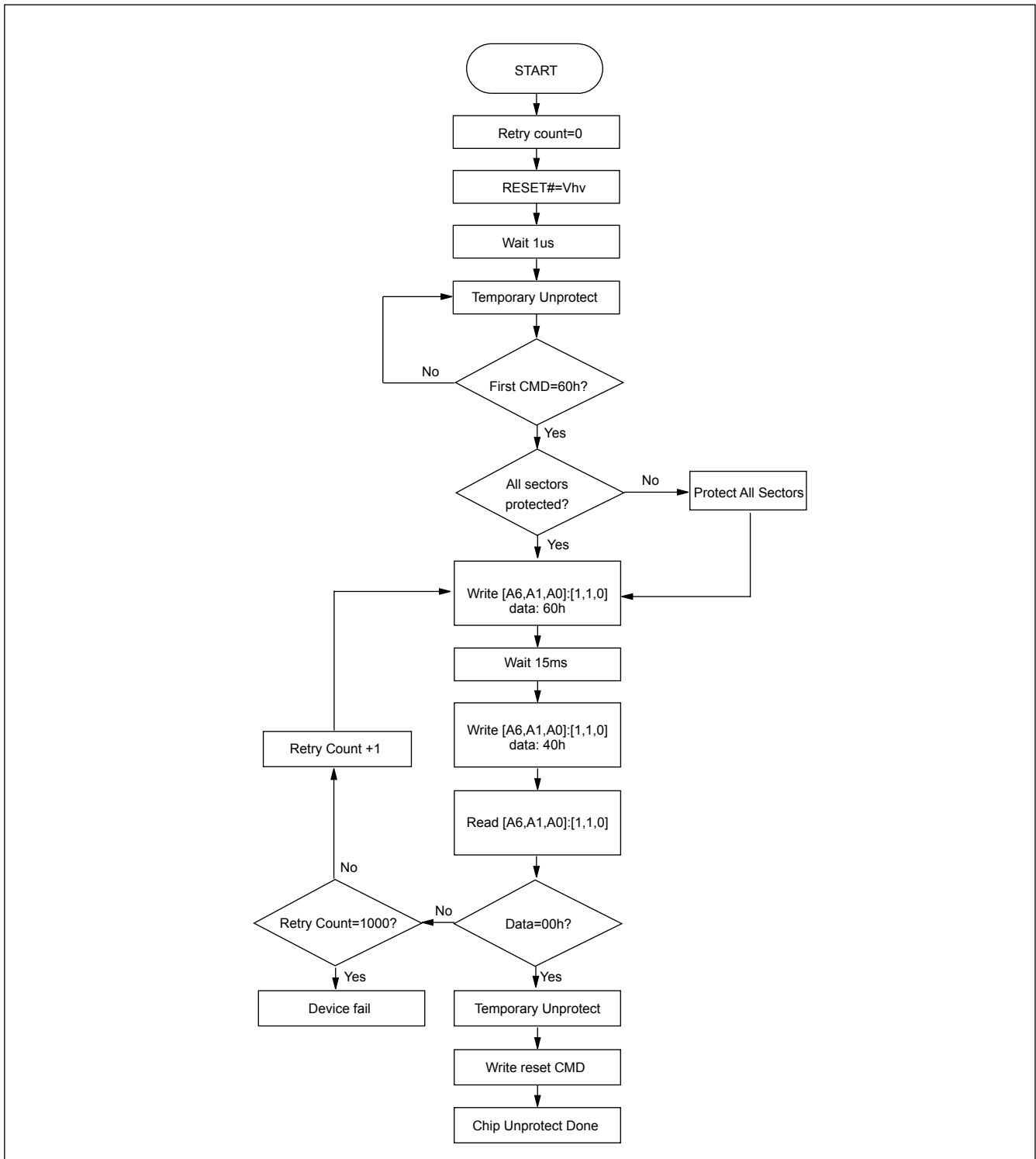


Figure 13-2. CHIP UNPROTECT ALGORITHMS WITH RESET#=Vhv

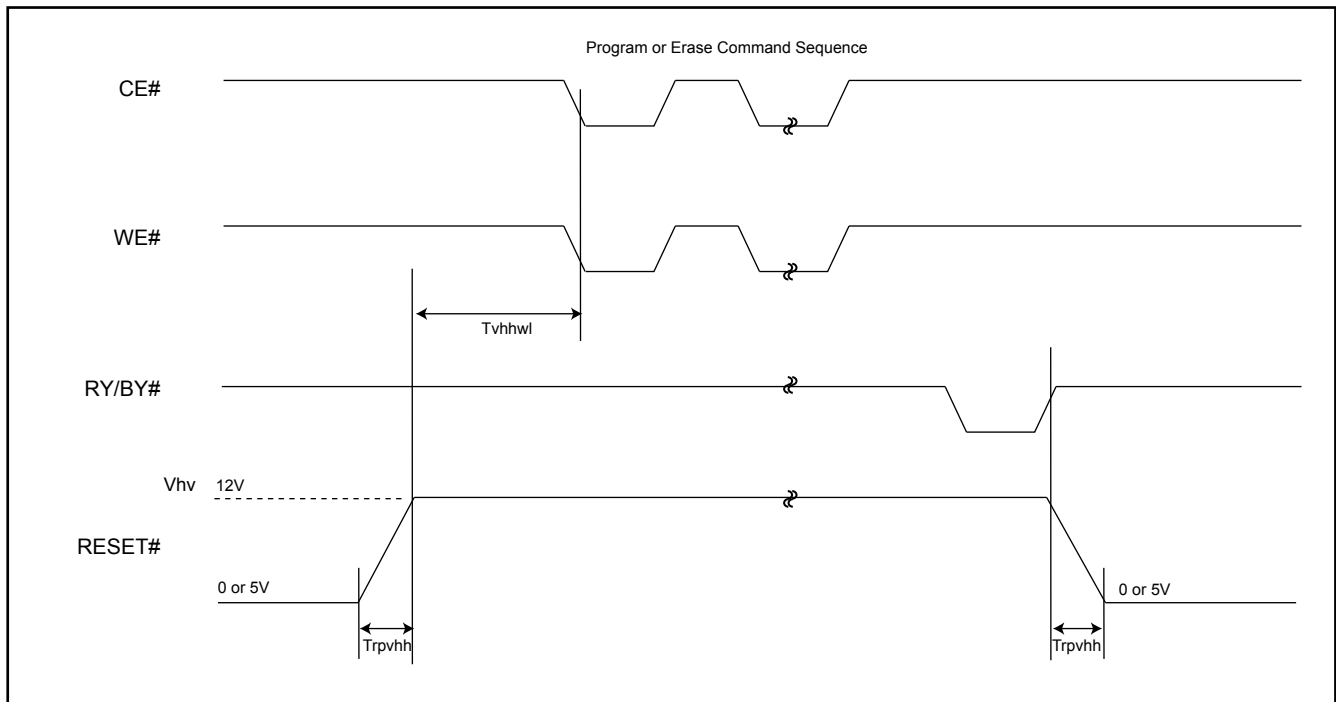


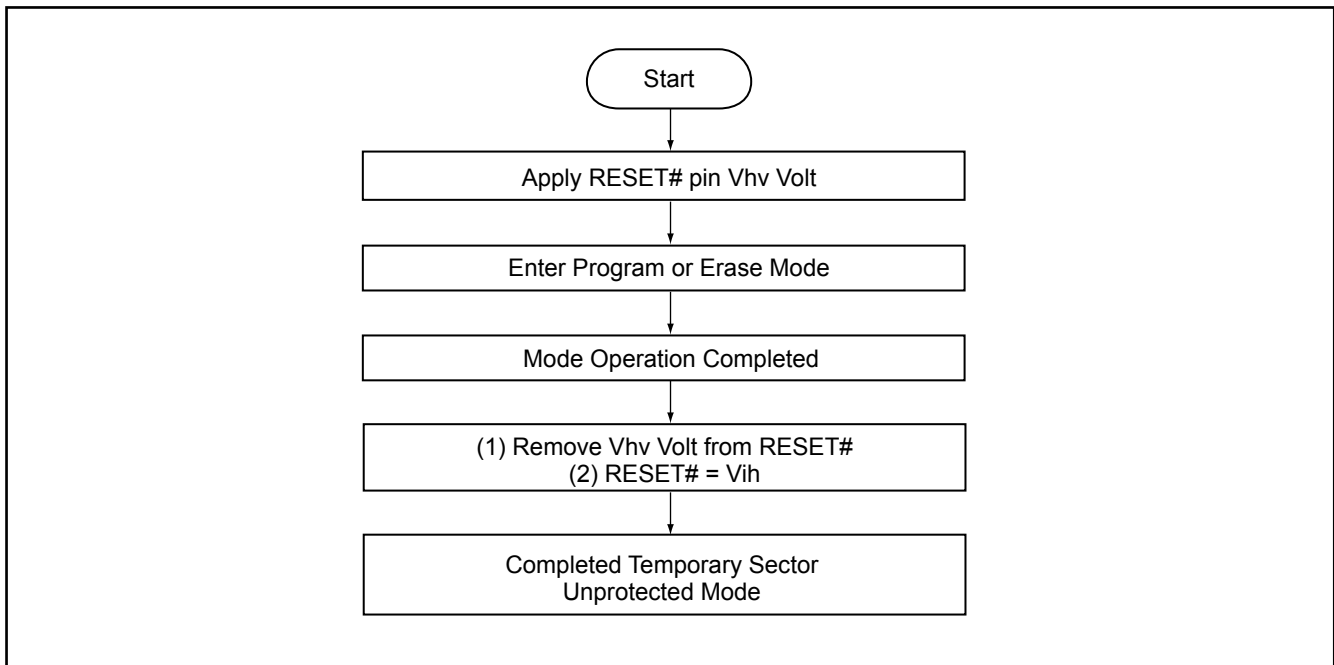


**Table 5. TEMPORARY SECTOR UNPROTECT**

Parameter	Alt	Description	Condition	Speed	Unit
Trpvhh	Tvidr	RESET# Rise Time to Vhv and Vhv Fall Time to RESET#	MIN	500	ns
Tvhhwl	Trsp	RESET# Vhv to WE# Low	MIN	4	us

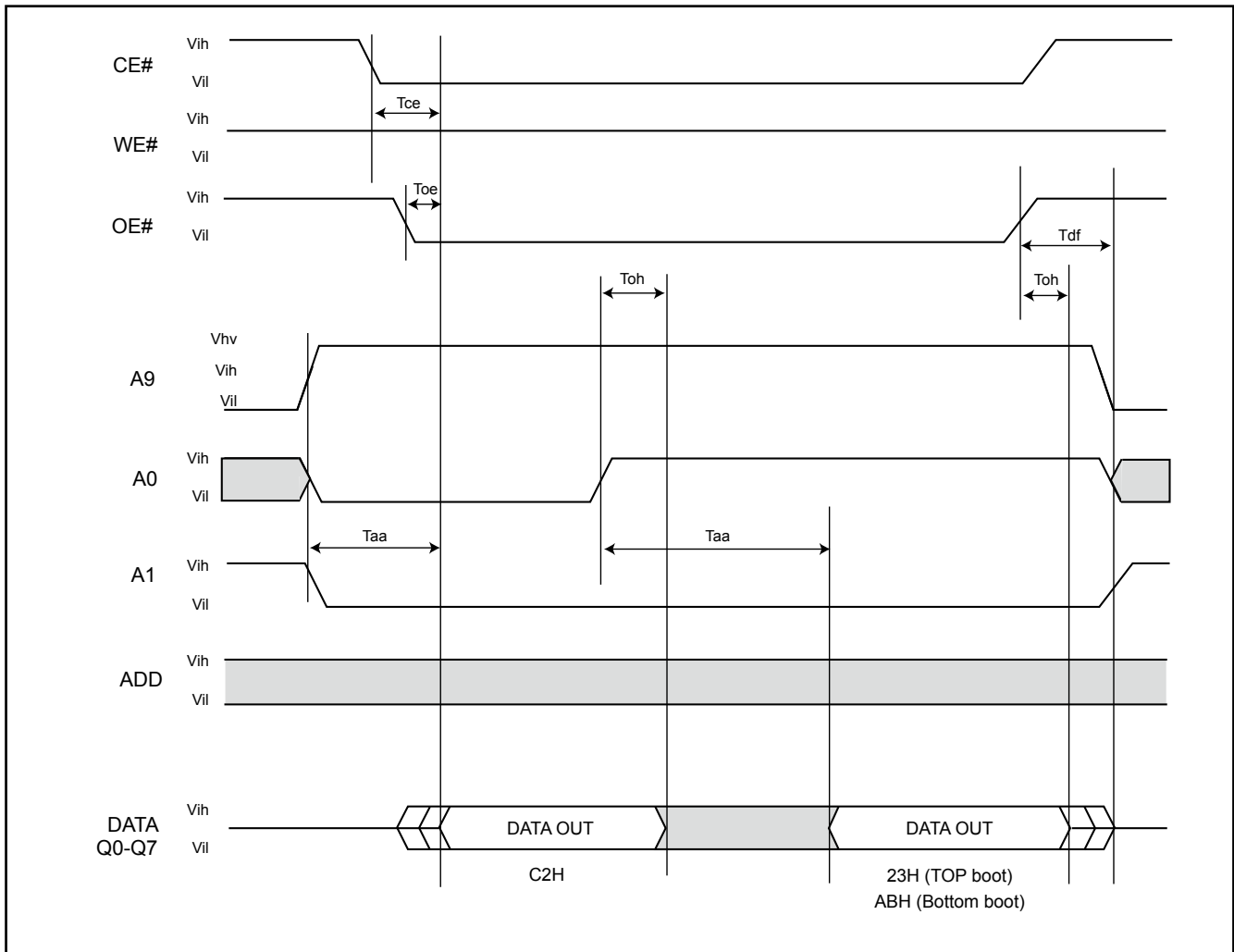
**Figure 14. TEMPORARY SECTOR UNPROTECT WAVEFORMS**



**Figure 15. TEMPORARY SECTOR UNPROTECT FLOWCHART****Notes:**

1. Temporary unprotect all protected sectors  $V_{hv}=11.5 \sim 12.5V$ .
2. The protected conditions of the protected sectors are the same to temporary sector unprotect mode.

**Figure 16. SILICON ID READ TIMING WAVEFORM**



**WRITE OPERATION STATUS**

**Figure 17. DATA# POLLING TIMING WAVEFORMS (DURING AUTOMATIC ALGORITHMS)**

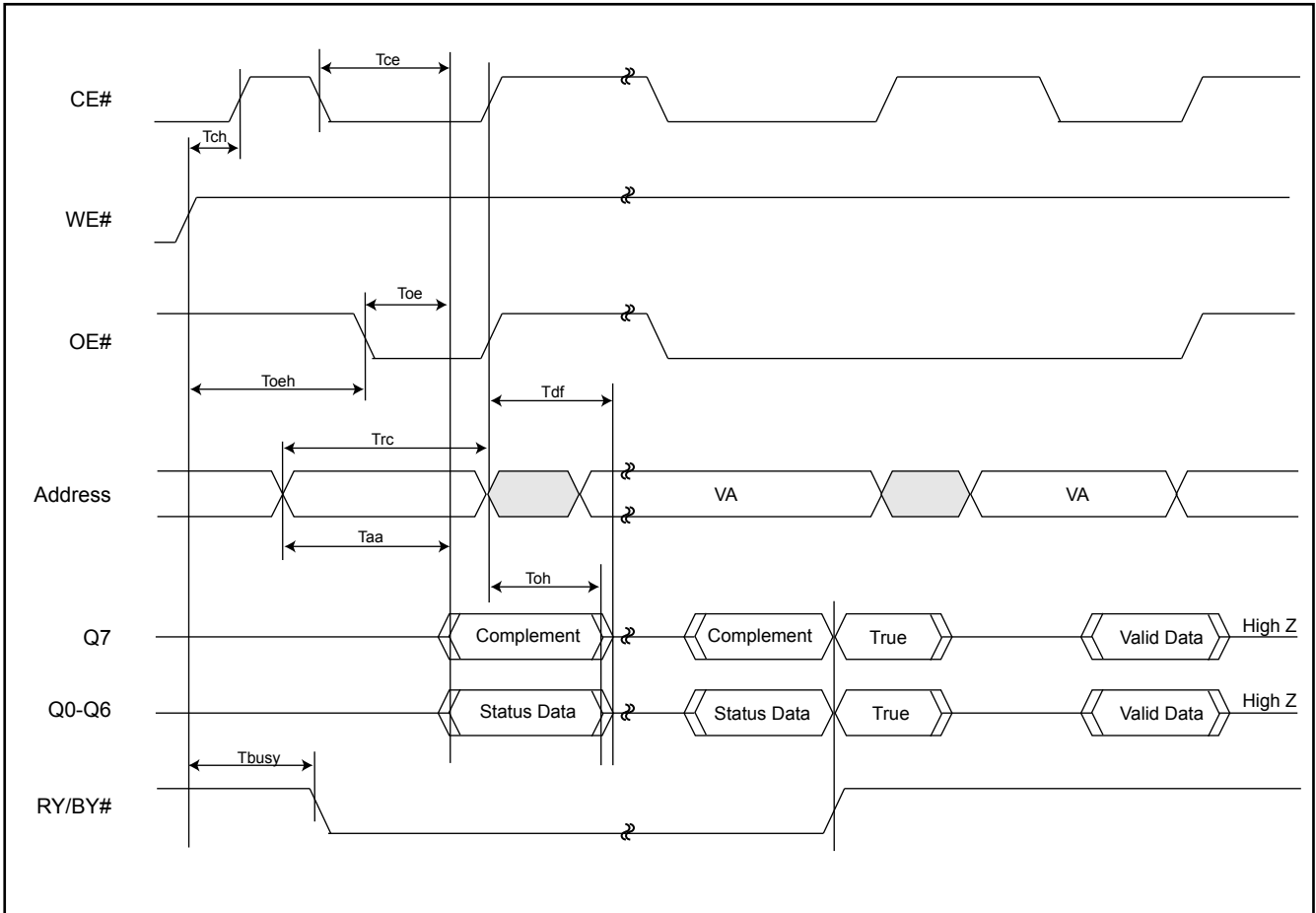
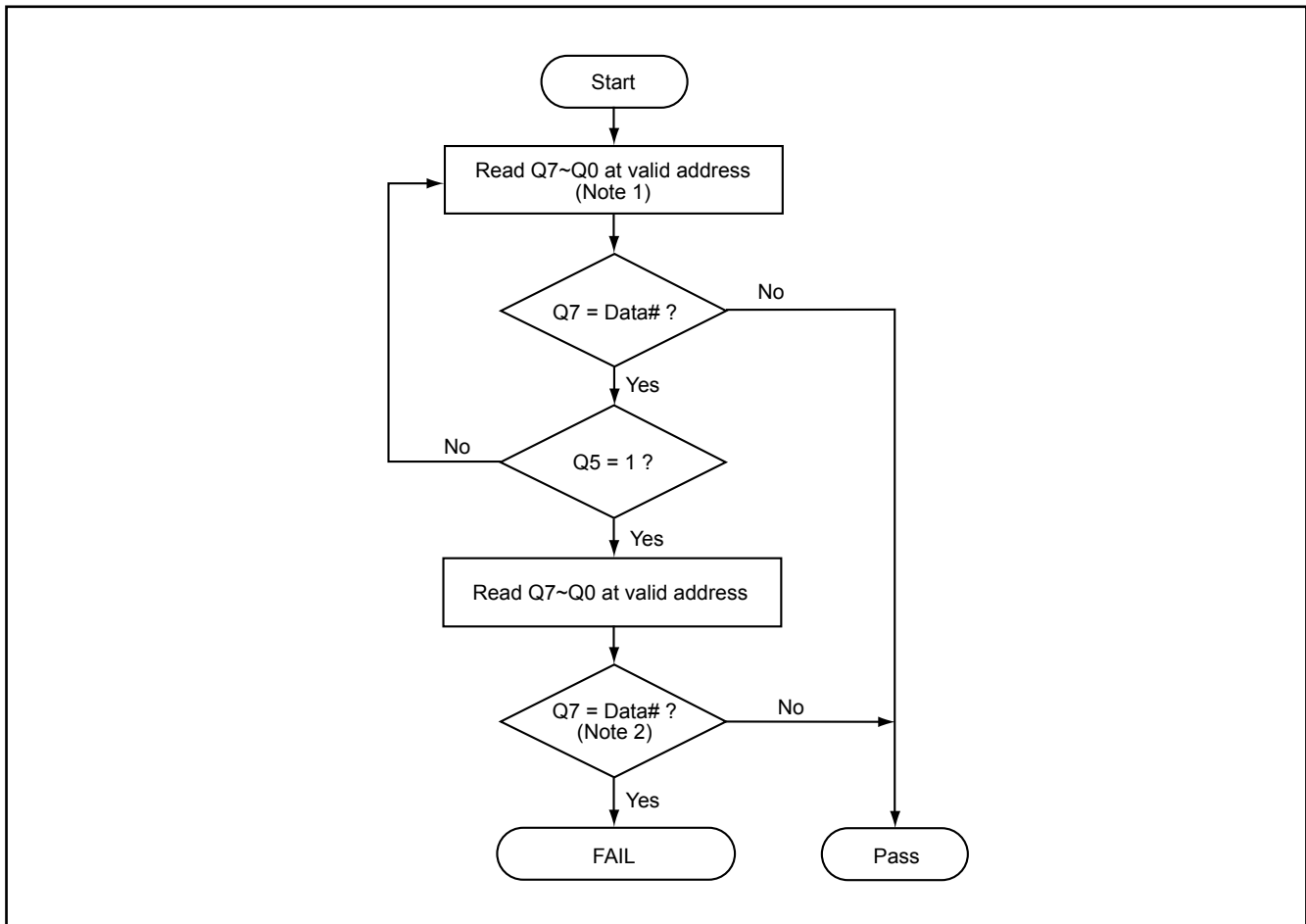


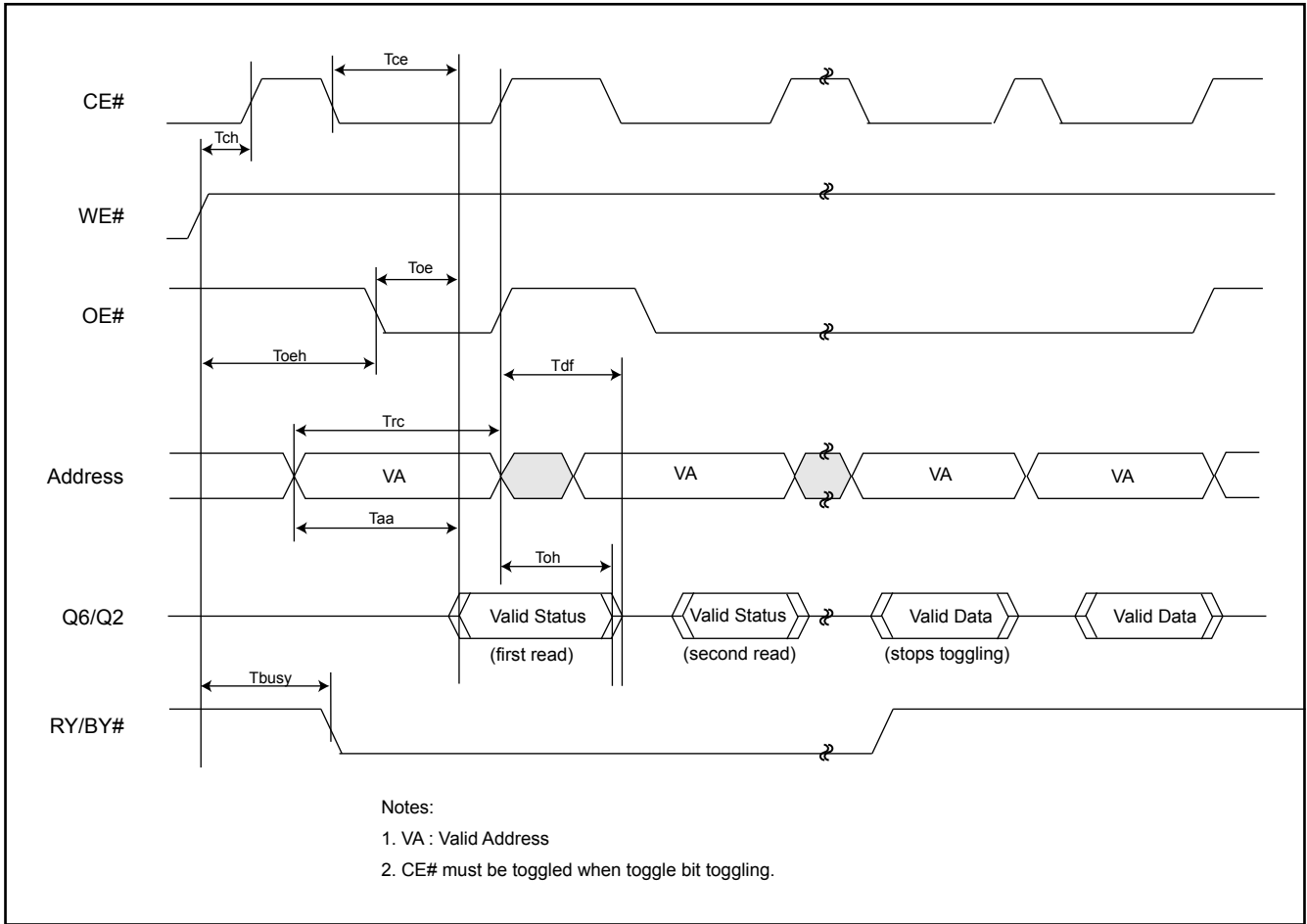
Figure 18. DATA# POLLING ALGORITHM

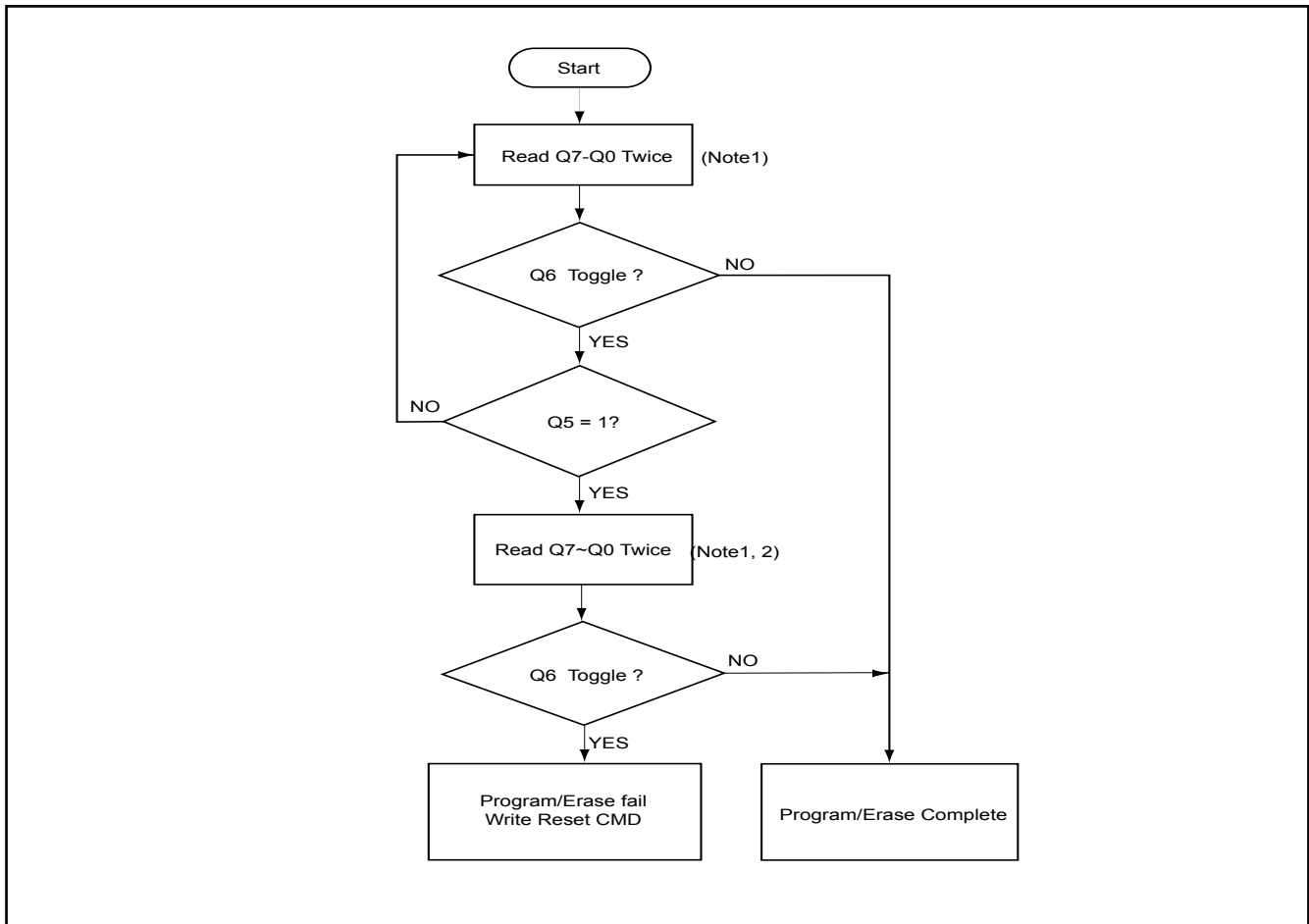


**Notes:**

1. For programming, valid address means program address.  
For erasing, valid address means erase sectors address.
2. Q7 should be rechecked even Q5="1" because Q7 may change simultaneously with Q5.

**Figure 19. TOGGLE BIT TIMING WAVEFORMS (DURING AUTOMATIC ALGORITHMS)**



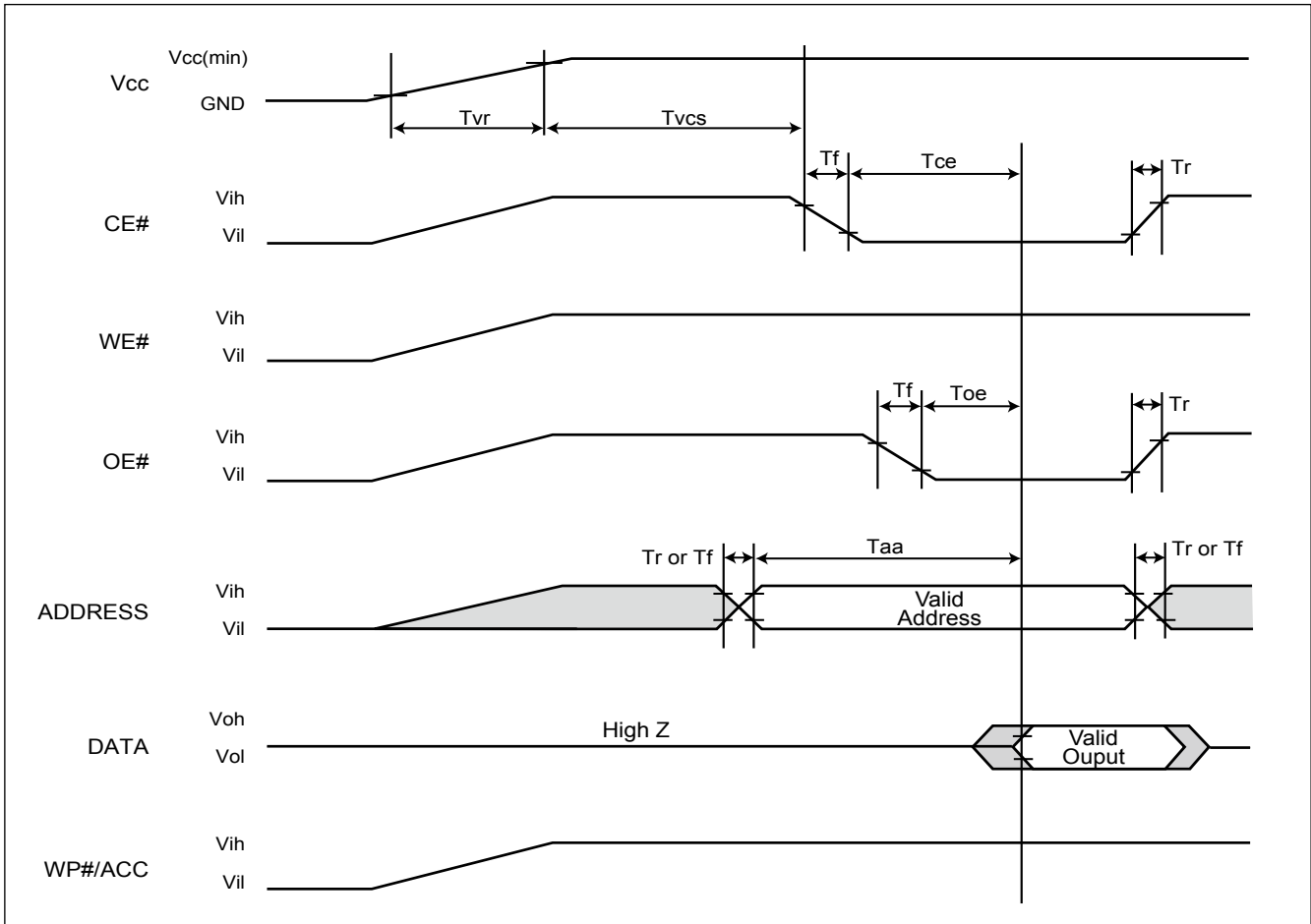
**Figure 20. TOGGLE BIT ALGORITHM****Notes:**

1. Read toggle bit twice to determine whether or not it is toggling.
2. Recheck toggle bit because it may stop toggling as Q5 changes to "1".

**RECOMMENDED OPERATING CONDITIONS**

**At Device Power-Up**

AC timing illustrated in Figure A is recommended for the supply voltages and the control signals at device power-up. If the timing in the figure is ignored, the device may not operate correctly.



**Figure A. AC Timing at Device Power-Up**

Symbol	Parameter	Min.	Max.	Unit
Tvr	Vcc Rise Time	20	500000	us/V
Tr	Input Signal Rise Time		20	us/V
Tf	Input Signal Fall Time		20	us/V



**ERASE AND PROGRAMMING PERFORMANCE**

PARAMETER	LIMITS			UNITS
	MIN.	TYP.	MAX.	
Byte Programming Time		9	300	us
Word Programming Time		11	360	us
Sector Erase Time		0.7	8	sec
Chip Erase Time		4	32	sec
Chip Programming Time	Byte Mode	4.5	13.5	sec
	Word Mode	3	9	sec
Erase/Program Cycles	100,000			Cycles

Note: 1. Typical condition means 25°C, 5V.  
2. Maximum condition means 90°C, 4.5V, 100K cycles.

**DATA RETENTION**

PARAMETER	Condition	Min.	Max.	UNIT
Data retention	55°C	20		years

**LATCH-UP CHARACTERISTICS**

	MIN.	MAX.
Input Voltage difference with GND on all pins except I/O pins	-1.0V	13.5V
Input Voltage difference with GND on all I/O pins	-1.0V	V <sub>cc</sub> + 1.0V
V <sub>cc</sub> Current	-100mA	+100mA

Includes all pins except V<sub>cc</sub>. Test conditions: V<sub>CC</sub> = 5V, one pin per testing

**TSOP AND SOP PIN CAPACITANCE**

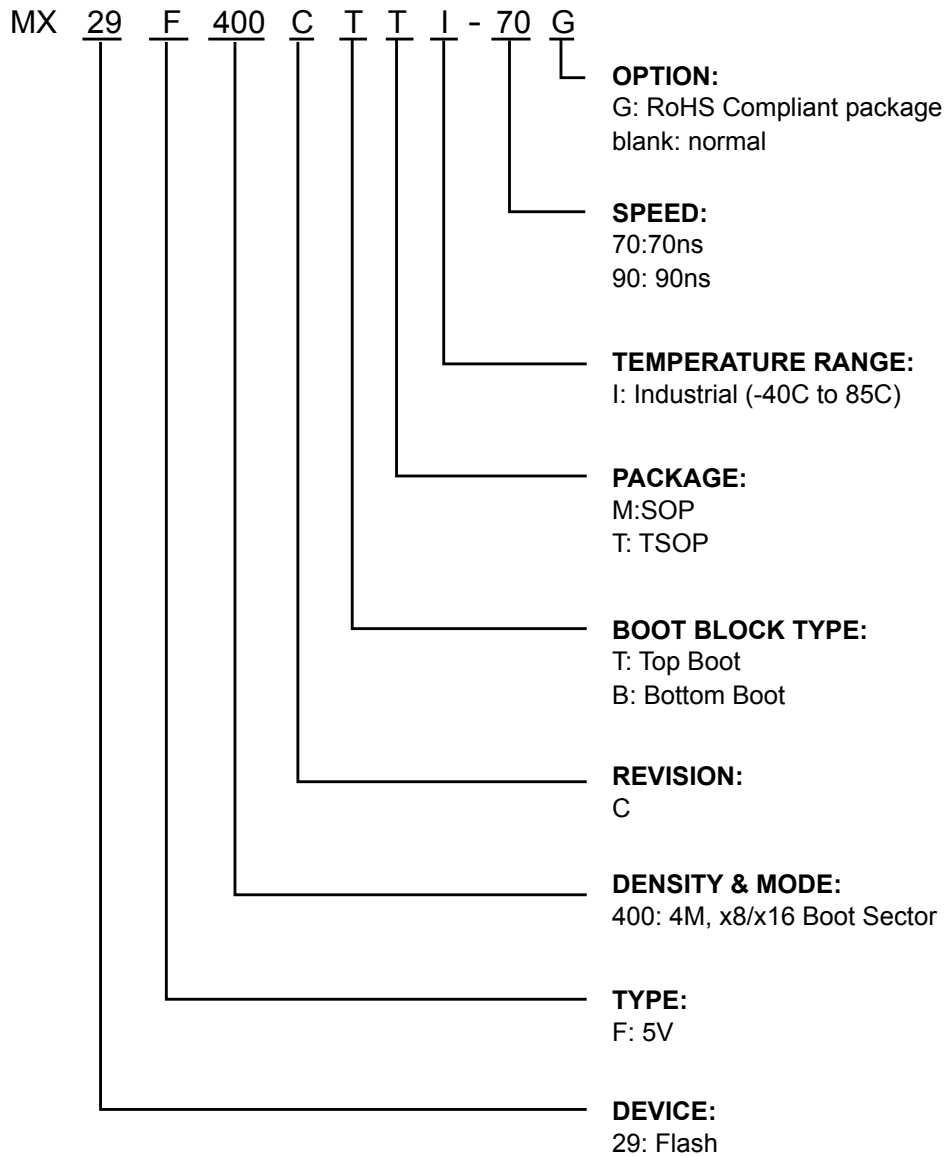
Parameter Symbol	Parameter Description	Test Set	TYP	MAX	UNIT
CIN2	Control Pin Capacitance	VIN=0		12	pF
COU	Output Capacitance	VOUT=0		12	pF
CIN	Input Capacitance	VIN=0		8	pF

**ORDERING INFORMATION**

PART NO.	Access Time (ns)	Operating Current MAX.(mA)	Standby Current MAX.(uA)	Temperature Range	PACKAGE	Remark
MX29F400CTMI-70	70	40	5	-40°C~85°C	44 Pin SOP	Note 1
MX29F400CTMI-90	90	40	5	-40°C~85°C	44 Pin SOP	Note 1
MX29F400CTTI-70	70	40	5	-40°C~85°C	48 Pin TSOP (Normal Type)	Note 1
MX29F400CTTI-90	90	40	5	-40°C~85°C	48 Pin TSOP (Normal Type)	Note 1
MX29F400CBMI-70	70	40	5	-40°C~85°C	44 Pin SOP	Note 1
MX29F400CBMI-90	90	40	5	-40°C~85°C	44 Pin SOP	Note 1
MX29F400CBTI-70	70	40	5	-40°C~85°C	48 Pin TSOP (Normal Type)	Note 1
MX29F400CBTI-90	90	40	5	-40°C~85°C	48 Pin TSOP (Normal Type)	Note 1
MX29F400CTMI-70G	70	40	5	-40°C~85°C	44 Pin SOP	RoHS Compliant
MX29F400CTMI-90G	90	40	5	-40°C~85°C	44 Pin SOP	RoHS Compliant
MX29F400CTTI-70G	70	40	5	-40°C~85°C	48 Pin TSOP (Normal Type)	RoHS Compliant
MX29F400CTTI-90G	90	40	5	-40°C~85°C	48 Pin TSOP (Normal Type)	RoHS Compliant
MX29F400CBMI-70G	70	40	5	-40°C~85°C	44 Pin SOP	RoHS Compliant
MX29F400CBMI-90G	90	40	5	-40°C~85°C	44 Pin SOP	RoHS Compliant
MX29F400CBTI-70G	70	40	5	-40°C~85°C	48 Pin TSOP (Normal Type)	RoHS Compliant
MX29F400CBTI-90G	90	40	5	-40°C~85°C	48 Pin TSOP (Normal Type)	RoHS Compliant

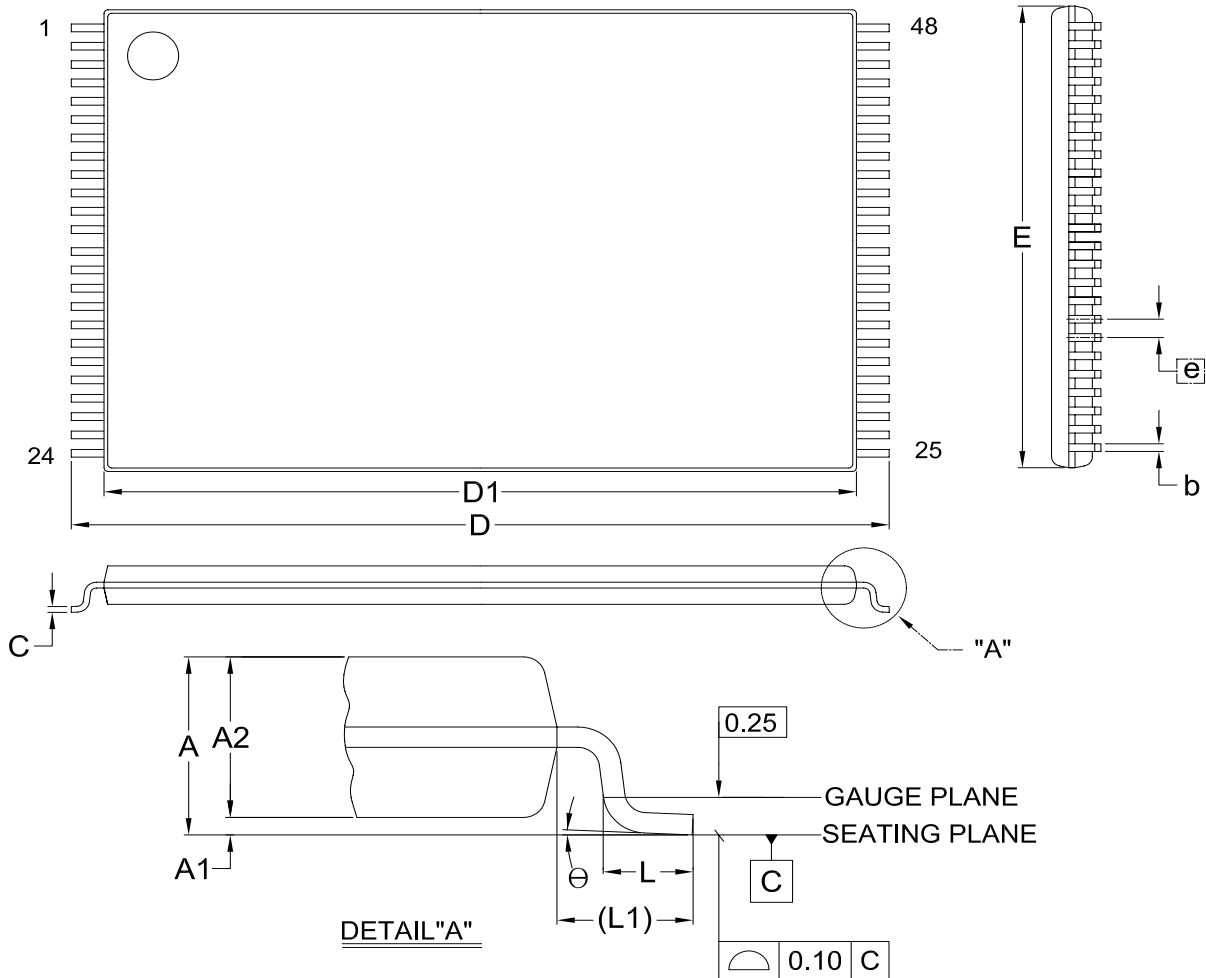
Note 1: The part no. is not recommended for new design in.

### PART NAME DESCRIPTION



**PACKAGE INFORMATION**

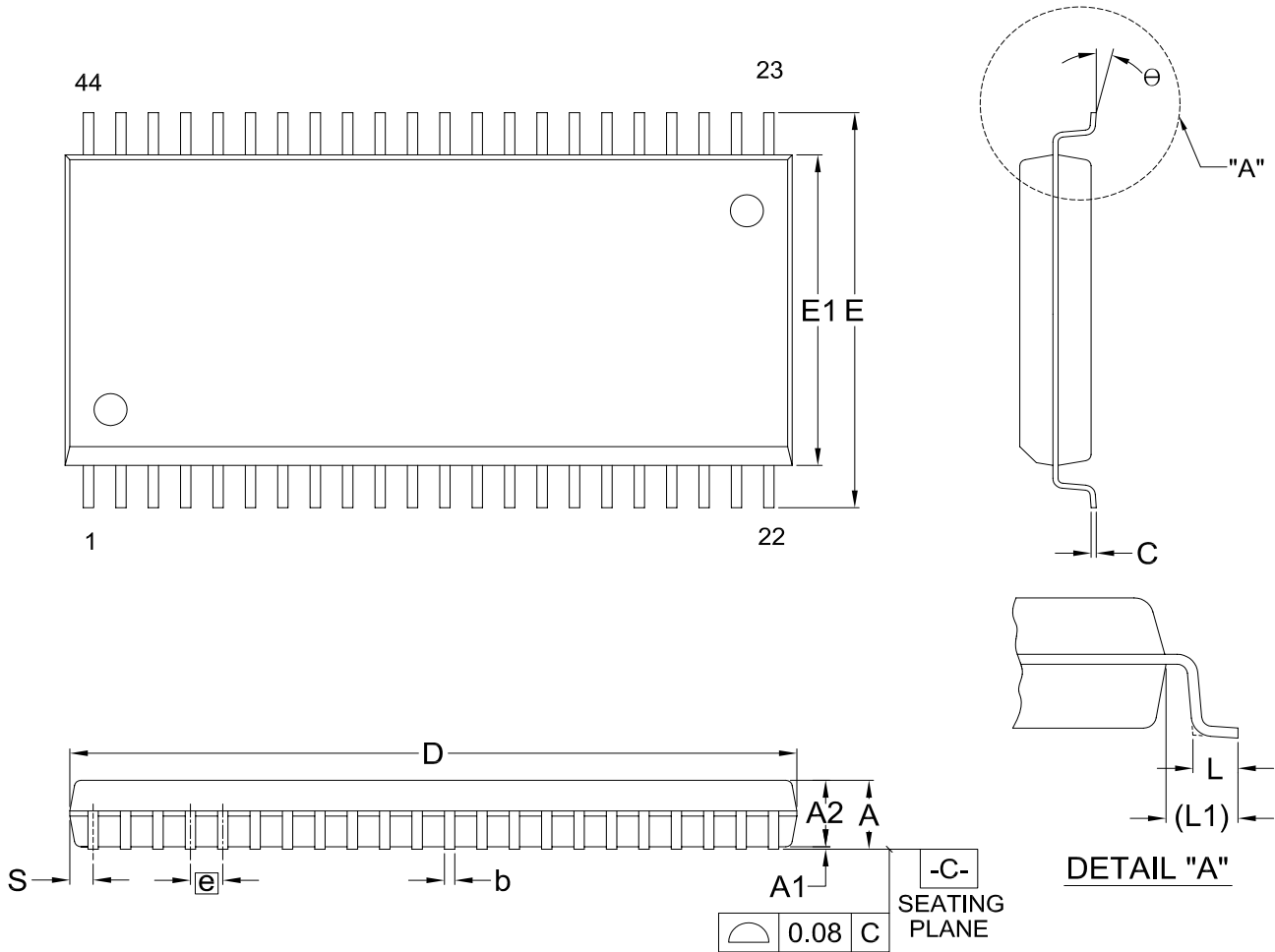
Doc. Title: Package Outline for TSOP(I) 48L (12X20mm)NORMAL FORM



Dimensions (inch dimensions are derived from the original mm dimensions)

SYMBOL		A	A1	A2	b	C	D	D1	E	e	L	L1	θ
mm	Min.	—	0.05	0.95	0.17	0.10	19.80	18.30	11.90	—	0.50	0.70	0°
	Nom.	—	0.10	1.00	0.20	0.13	20.00	18.40	12.00	0.50	0.60	0.80	5°
	Max.	1.20	0.15	1.05	0.27	0.21	20.20	18.50	12.10	—	0.70	0.90	8°
Inch	Min.	—	0.002	0.037	0.007	0.004	0.780	0.720	0.469	—	0.020	0.028	0°
	Nom.	—	0.004	0.039	0.008	0.005	0.787	0.724	0.472	0.020	0.024	0.031	5°
	Max.	0.047	0.006	0.041	0.011	0.008	0.795	0.728	0.476	—	0.028	0.035	8°

Doc. Title: Package Outline for SOP 44L (500MIL)



Dimensions (inch dimensions are derived from the original mm dimensions)

SYMBOL		A	A1	A2	b	C	D	E	E1	e	L	L1	S	$\theta$
UNIT														
mm	Min.	--	0.10	2.59	0.36	0.15	28.37	15.83	12.47	--	0.56	1.51	0.78	0°
	Nom.	--	0.15	2.69	0.41	0.20	28.50	16.03	12.60	1.27	0.76	1.71	0.91	5°
	Max.	3.00	0.20	2.80	0.51	0.25	28.63	16.23	12.73	--	0.96	1.91	1.04	10°
Inch	Min.	--	0.004	0.102	0.014	0.006	1.117	0.623	0.491	--	0.022	0.059	0.031	0°
	Nom.	--	0.006	0.106	0.016	0.008	1.122	0.631	0.496	0.050	0.030	0.067	0.036	5°
	Max.	0.118	0.008	0.110	0.020	0.010	1.127	0.639	0.501	--	0.038	0.075	0.041	10°

**REVISION HISTORY**

<b>Revision No.</b>	<b>Description</b>	<b>Page</b>	<b>Date</b>
1.0	1. Removed "Preliminary" title 2. Removed commercial grade 3. Added access time: 55ns; Removed access time: 120ns	P1 All All	DEC/20/2005
1.1	1. Removed access time : 55ns  2. Removed sector protect/ chip unprotect without 12V 3. Added in-system sector protect/ chip unprotect 4. Added data# polling, toggle bit algorithm 5. Added RY/BY# timing waveform	P1,19,21,22 P38,39 P1,7,17,31~34 P33~35 P26,27 P24,28,30	JUN/20/2006
1.2	1. Datasheet format changed	All	AUG/15/2006
1.3	1. Data modification 2. Changed maximum condition as 90°C, 4.5V 100K cycles	All P41	AUG/17/2006
1.4	1. Added statement	P47	NOV/06/2006
1.5	1. Data modification	P2	DEC/11/2006
1.6	1. Added recommendation for non RoHS compliant devices 2. Changed test condition : 30PF loading for 70ns	P1,42 P17	MAR/19/2007
1.7	1. Added note 4 into table 3. Command Definitions	P10	JAN/22/2008
1.8	1. Modified Figure 10. CE# Controlled Write Timing Waveform	P28	FEB/25/2008
1.9	1. Modified Figure 10. CE# Controlled Write Timing Waveform (Changed "Twhwh1 or Twhwh2" into "Tavt or Taetb") 2. Modified Figure 12. DATA# POLLING TIMING WAVEFORM	P28 P36	MAR/09/2009
2.0	1. Added Note into DC characteristics 2. Added l <sub>cw</sub> /T <sub>rc</sub> /T <sub>wp</sub> /T <sub>wph</sub> /T <sub>ghwl</sub> spec 3. Added Note for voltage undershooting 4. Revised Figure 14. TEMPORARY UNPROTECT WAVEFORMS	P15 P16, 18 P15 P33	MAY/25/2009
2.1	1. Added data retention table 2. Modified the sector erase time max from 15s to 8s	P41 P18,41	JUN/30/2009
2.2	1. Modified AC CHARACTERISTICS 2. Modified description wording for "RoHS Compliant"	P18 P1,42,43	NOV/29/2010
2.3	1. Added T <sub>ws</sub> & T <sub>wh</sub> values 2. Content and format modifications for package outline	P18,28 P44,45	DEC/14/2017



**MACRONIX**  
**INTERNATIONAL Co., LTD.**

**MX29F400C T/B**

---

Macronix's products are not designed, manufactured, or intended for use for any high risk applications in which the failure of a single component could cause death, personal injury, severe physical damage, or other substantial harm to persons or property, such as life-support systems, high temperature automotive, medical, aircraft and military application. Macronix and its suppliers will not be liable to you and/or any third party for any claims, injuries or damages that may be incurred due to use of Macronix's products in the prohibited applications.

Copyright© Macronix International Co., Ltd. 2005~2017. All rights reserved, including the trademarks and tradename thereof, such as Macronix, MXIC, MXIC Logo, MX Logo, Integrated Solutions Provider, Nbit, Macronix NBit, eLiteFlash, HybridNVM, HybridFlash, HybridXFlash, XtraROM, Phines, KH Logo, BE-SONOS, KSMC, Kingtech, MXSMIO, Macronix vEE, Macronix MAP, Rich Book, Rich TV, OctaRAM, OctaBus, OctaFlash and FitCAM. The names and brands of third party referred thereto (if any) are for identification purposes only.

For the contact and order information, please visit Macronix's Web site at: <http://www.macronix.com>

MACRONIX INTERNATIONAL CO., LTD. reserves the right to change product and specifications without notice.

---

## X-ON Electronics

Largest Supplier of Electrical and Electronic Components

*Click to view similar products for [NOR Flash](#) category:*

*Click to view products by [Macronix](#) manufacturer:*

Other Similar products are found below :

[AM29BL162CB-80RDPE1](#) [AM29F800BT-90DPE 2](#) [S29AL016J70BFI012](#) [S29AL016J70FFI022](#) [S29GL064N90BFI032](#)  
[S29GL064N90BFI042](#) [S29GL064N90FFI012](#) [S29GL128P10FFI022](#) [S29GL256P11FFIV12](#) [S29GL256P11FFIV22](#) [S29GL512S10GHI020](#)  
[S70FL01GSAGMFV011](#) [S99-50389 P](#) [AM29F016D-120DPI 1](#) [AT25DF011-SSH-N-T](#) [AT25DF011-XMHN-T](#) [AT25DF041B-MHN-Y](#)  
[AT25DN256-SSH-F-T](#) [AT25DN512C-MAHF-T](#) [AT45DB161E-CCUD-T](#) [S29AL008J55BFIR22](#) [S29GL032N90TFI033](#) [S29GL032N90TFI043](#)  
[S29GL256P11FFI012](#) [S29JL064J55TFI003](#) [S70FL01GSAGMFI013](#) [S99-50052](#) [S29AL008J55BFIR23](#) [M29W128GL70ZS3F](#)  
[PC28F128J3F75B](#) [S29GL128P10TFI013](#) [S29GL032N11FFIS12](#) [S29AL016D90DGI027](#) [S29JL032J70TFI423](#) [S29GL128S10TFIV13](#)  
[S29AL016J70WEI029](#) [S25FL132K0XMFB043](#) [AT25DF041B-SSH-NHR-T](#) [S25FL116K0XNFB010](#) [S25FL132K0XBHA020](#) [AT25SL321-](#)  
[MBUE-T](#) [SST39VF800A-70-4I-MAQE](#) [LE25S40MB-AH](#) [S25FL116K0XNFA013](#) [SST39VF400A-70-4C-MAQE](#) [AT25DF512C-XMHN-T](#)  
[S25FL256LAGMFI001](#) [S26KL128SDABHN020](#) [520366231286](#) [AT45DB021E-UUN-T](#)