

## Non-Mercury Unidirectional Tilt Switch

**MAGNASPHERE's magnetic switching improves vibratory-contact stability over non-mercury alternatives.**

The MAGNASPHERE Unidirectional Tilt Switch is an industrial grade non-mercury switch, the T1-AB-JS is RoHS compliant and is sealed from atmosphere and water. Configurable to either Form A or Form B, the unidirectional tilt switch requires no standby power consumption and has versatile mounting options.

The new unidirectional tilt switch features precision switching range and is chemically inert. The unique magnetic switching capabilities of the MAGNASPHERE technology improves vibratory stability versus other non-mercury alternatives, which has led to initial applications in the heavy truck industry.

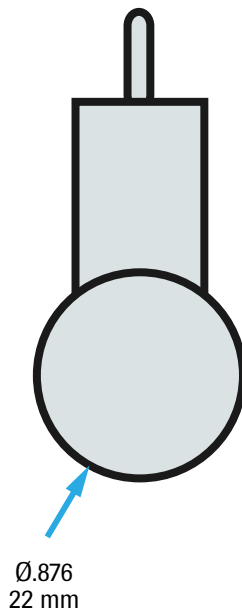
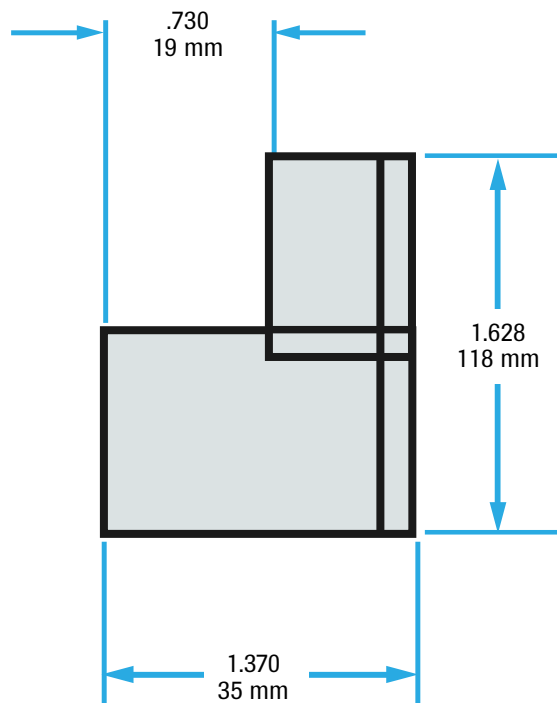


### Features

- RoHS compliant
- Non-mercury switch
- Contact Form B or Form A
- Industrial grade
- No standby power consumption
- Precision switching range
- Hysteresis <10 degrees (include angle for on/off)
- Chemically inert
- Low battery indication
- Sealed from atmosphere and water
- Magnetic switching improves vibratory contact stability
- Competitively priced

# MAGNASPHERE®

## MODEL: T1-AB-JS



## SPECIFICATIONS

### Mechanic & Electrical

Poles and Circuits: SPST (ON/OFF)

Max Current: 0.25 A Resistive

Max Voltage: 30VDC

Max Power: 0.25 W Resistive

Mechanical Life: 1 million operations  
(Typical)

Angles of Operation: ON=180°  
(+/-4°)  
OFF=180° (+/-4°)

### Materials

Housing: ABS

Wire Leads: Jacketed 22/2  
ASG 0.11" OD x 12"

### Environmental

Operation Temperature Range:  
-20°F/-28°C to 185°F/85°C

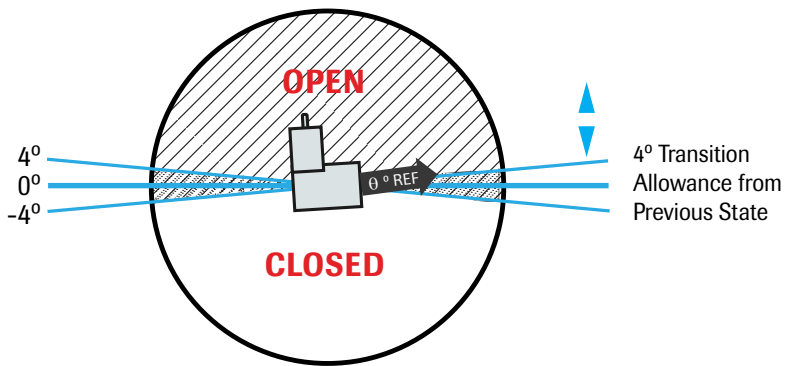
Humidity: N/A (sealed construction)

Magnetic Field: Performs normally  
in weak or absent magnetic fields.  
Operation is not affected by ferrous  
environments.

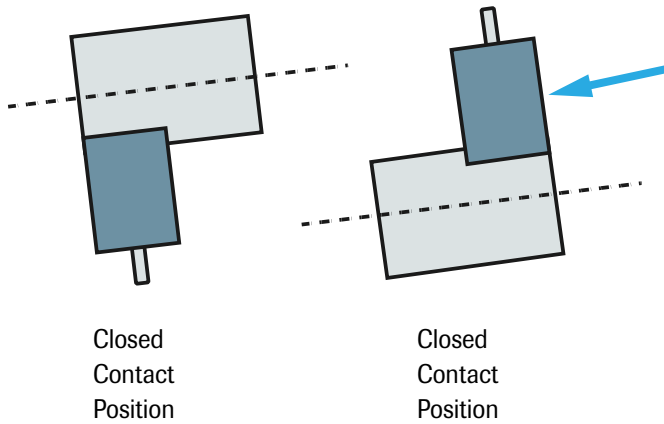
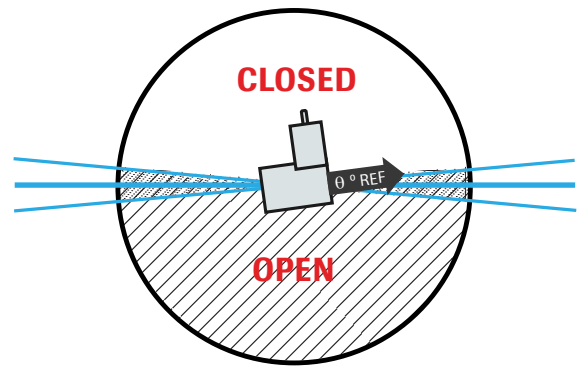


# MAGNASPHERE®

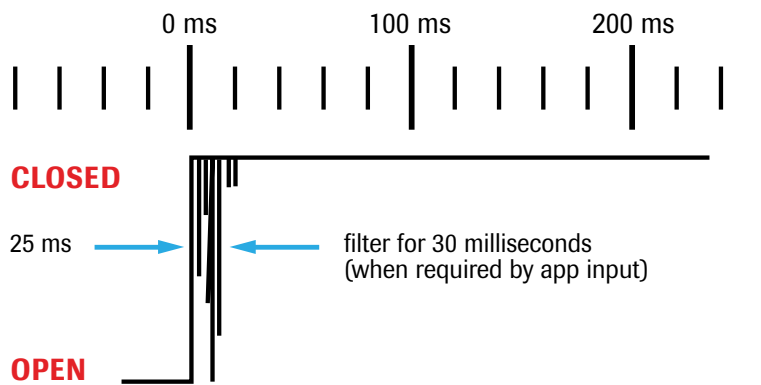
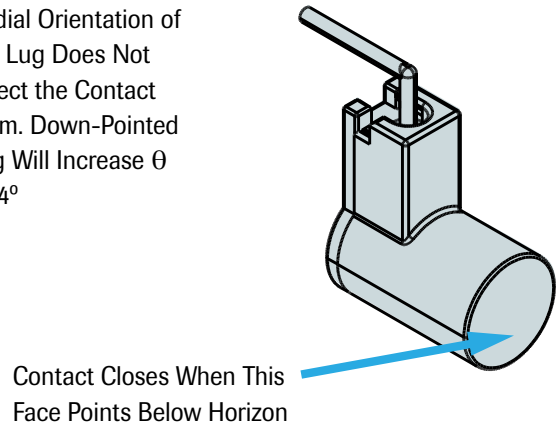
## Unidirectional Tilt Switch Angles of Operation



## Re-Orient for Opposite Contact Form



Radial Orientation of the Lug Does Not Affect the Contact Form. Down-Pointed Lug Will Increase  $\theta$  by 4°



## **X-ON Electronics**

Largest Supplier of Electrical and Electronic Components

*Click to view similar products for [magnasphere](#) manufacturer:*

Other Similar products are found below :

[HSS-SP062-GO](#) [MSS-54SL-GO](#) [MSS-63S](#) [T1-AB-JS](#) [HSS-L2S-004-GO](#) [MSS-310S-GO](#) [MG-B2-8.0-L](#) [HSS-L2C-101-GO](#) [MSS-301C-GO](#)  
[MG-B2-6.5-L](#) [MG-A2-5.5-TW](#) [MG-B2-20-S](#) [MG-A2-1.5-N](#) [MG-A2-3.0-N](#) [MG-A2-5.0-N](#) [MG-B2-10-L](#)