

MH188 Hall-effect sensor is a temperature stable, stress-resistant sensor. Superior high-temperature performance is made possible through a dynamic offset cancellation that utilizes chopper-stabilization. This method reduces the offset voltage normally caused by device over molding, temperature dependencies, and thermal stress.

MH188 includes the following on a single silicon chip: voltage regulator, Hall voltage generator, small-signal amplifier, chopper stabilization, Schmitt trigger, Advanced DMOS wafer fabrication processing is used to take advantage of low-voltage requirements, component matching, very low input-offset errors, and small component geometries.

This device requires the presence of both south and north polarity magnetic fields for operation. In the presence of a south polarity field of sufficient strength, the device output sensor on, and only switches off when a north polarity field of sufficient strength is present.

MH188 is rated for operation between the ambient temperatures -40°C and 85°C for the E temperature range, and -40°C to 125°C for the K temperature range. The two package styles available provide magnetically optimized solutions for most applications. Package SO is an SOT-23, a miniature low-profile surface-mount package, while package UA is a three-lead ultra mini SIP for through-hole mounting.

Packages is Halogen Free standard and which have been verified by third party lab.

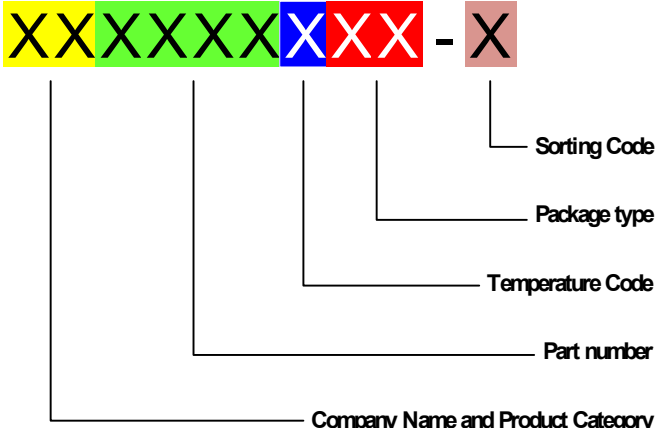
Features and Benefits

- DMOS Hall IC Technology.
- Reverse bias protection on power supply pin.
- Chopper stabilized amplifier stage.
- Optimized for BLDC motor applications.
- Reliable and low shifting on high Temp condition.
- Good ESD Protection.
- 100% tested at 125°C for K.
- Custom sensitivity / Temperature selection are available.

Applications

- High temperature Fan motor
- 3 phase BLDC motor application
- Speed sensing
- Position sensing
- Current sensing
- Revolution counting
- Solid-State Switch
- Linear Position Detection
- Angular Position Detection
- Proximity Detection
- High ESD Capability

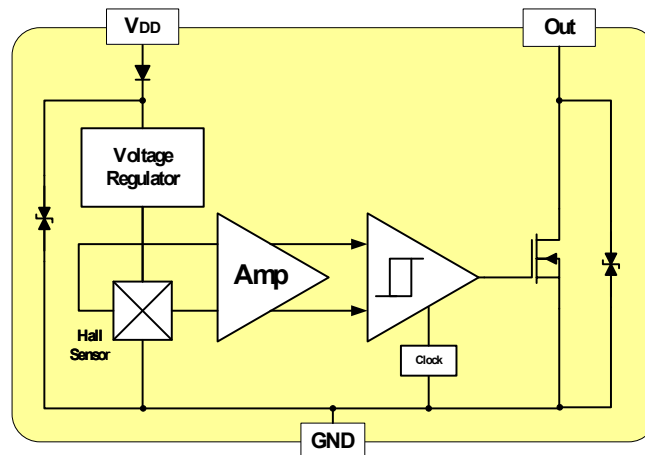
Ordering Information

	<p>Company Name and Product Category</p> <p>MH:MST Hall Effect/MP:MST Power IC</p> <p>Part number</p> <p>181,182,183,184,185,248,249,276,477,381,381F,381R,382.....</p> <p>If part # is just 3 digits, the fourth digit will be omitted.</p> <p>Temperature range</p> <p>E: 85 °C, I: 105 °C, K: 125 °C, L: 150 °C</p> <p>Package type</p> <p>UA:TO-92S,VK:TO-92S(4pin),VF:TO-92S(5pin),SO:SOT-23, SQ:QFN-3,ST:TSOT-23,SN:SOT-553,SF:SOT-89(5pin), SS:TSOT-26,SD:DFN-6</p> <p>Sorting</p> <p>α,β,Blank.....</p>
---	--

Part No.	Temperature Suffix	Package Type
MH188KUA	K (-40°C to + 125°C)	UA (TO-92S)
MH188KSO	K (-40°C to + 125°C)	SO (SOT-23)
MH188EUA	E (-40°C to + 85°C)	UA (TO-92S)
MH188ESO	E (-40°C to + 85°C)	SO (SOT-23)

KUA spec is using in industrial and automotive application. Special Hot Testing is utilized.

Functional Diagram



Absolute Maximum Ratings At ($T_a=25\text{ }^\circ\text{C}$)

Characteristics		Values	Unit
Supply voltage, (V_{DD})		28	V
Output Voltage, (V_{out})		28	V
Reverse voltage, (V_{DD})		-28/-0.3	V
Output current, (I_{out})		50	mA
Operating Temperature Range, (T_a)	“E” version	-40 to +85	$^\circ\text{C}$
	“K” version	-40 to +125	$^\circ\text{C}$
Storage temperature range, (T_s)		-65 to +150	$^\circ\text{C}$
Maximum Junction Temp, (T_j)		150	$^\circ\text{C}$
Thermal Resistance	(θ_{ja}) UA / SO	206 / 543	$^\circ\text{C}/\text{W}$
	(θ_{jc}) UA / SO	148 / 410	$^\circ\text{C}/\text{W}$
Package Power Dissipation, (P_D) UA / SO		606 / 230	mW

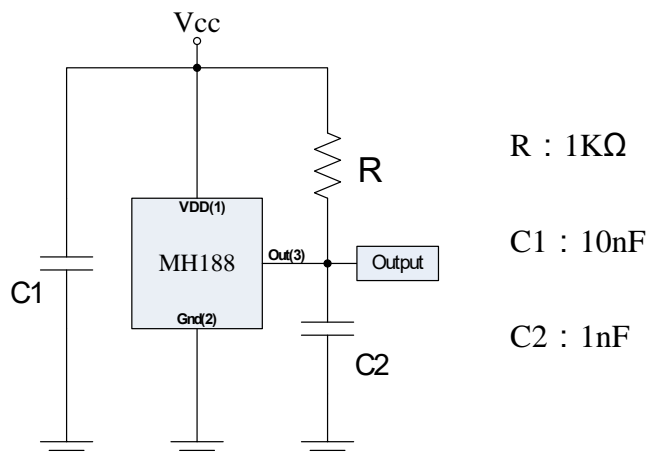
Note: Do not apply reverse voltage to V_{DD} and V_{OUT} Pin, It may be caused for Miss function or damaged device.

Electrical Specifications

DC Operating Parameters : $T_A=+25\text{ }^\circ\text{C}$, $V_{DD}=12\text{V}$

Parameters	Test Conditions	Min	Typ	Max	Units
Supply Voltage, (V_{DD})	Operating	2.5		26.0	V
Supply Current, (I_{DD})	B<BOP			5.0	mA
Output Saturation Voltage, (V_{sat})	$I_{out}=20\text{mA}$, B>BOP			400.0	mV
Output Leakage Current, (I_{off})	IOFF B<BRP, $V_{OUT} = 12\text{V}$			10.0	μA
Internal Oscillator Chopper Frequency, (f_{osc})			69		kHz
Output Rise Time, (T_R)	$R_L=1.1\text{K}\Omega$, $C_L=20\text{pF}$		0.04	0.45	μs
Output Fall Time, (T_F)	$R_L=820\Omega$; $C_L=20\text{pF}$		0.18	0.45	μs
Electro-Static Discharge	HBM	4			KV
Operate Point, (B_{OP})	UA(SO)	5(-25)		25(-5)	Gauss
Release Point, (B_{RP})	UA(SO)	-25(5)		-5(25)	Gauss
Hysteresis, (B_{HYS})			30		Gauss

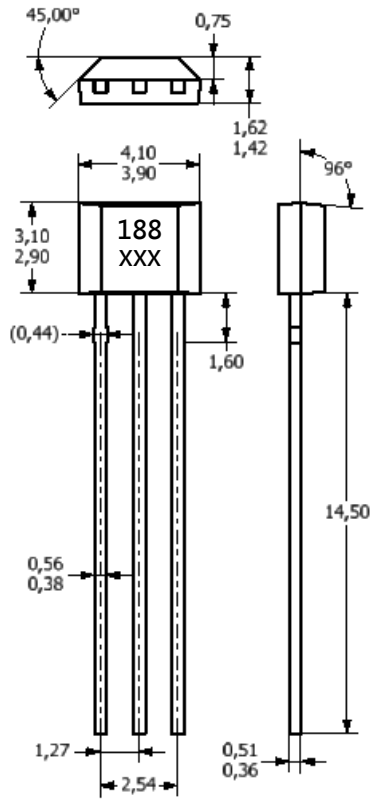
Typical application circuit



Sensor Location, Package Dimension and Marking

MH188 Package

UA Package



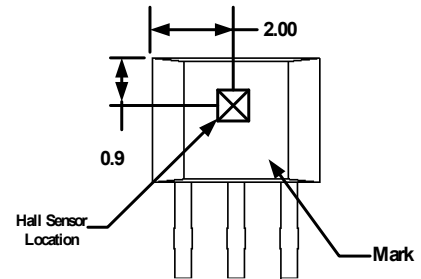
NOTES:

- 1).Controlling dimension: mm
- 2).Leads must be free of flash and plating voids
- 3).Do not bend leads within 1 mm of lead to package interface.

4).PINOUT:

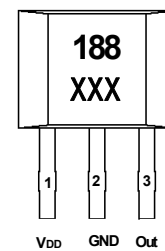
Pin 1	V _{DD}
Pin 2	GND
Pin 3	Output

Hall Chip location



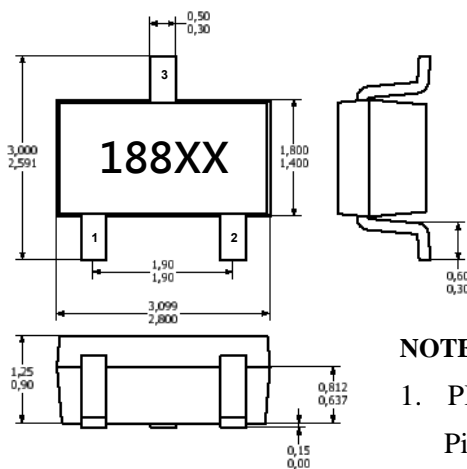
Output Pin Assignment

(Top view)



SO Package

(Top View)



NOTES:

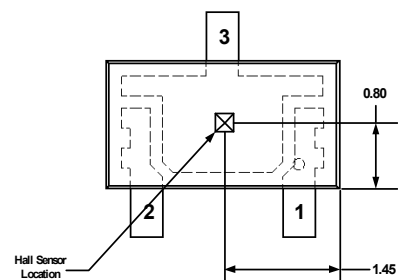
1. PINOUT (See Top View at left :)

Pin 1	V _{DD}
Pin 2	Output
Pin 3	GND

2. Controlling dimension: mm
3. Lead thickness after solder plating will be 0.254mm maximum

Hall Plate Chip Location

(Bottom view)



X-ON Electronics

Largest Supplier of Electrical and Electronic Components

Click to view similar products for [Industrial Hall Effect/Magnetic Sensors](#) category:

Click to view products by [MagneSensor](#) manufacturer:

Other Similar products are found below :

[GT-14114](#) [GT-14123](#) [GTN2C15C](#) [GT-12076](#) [GT-14049](#) [GT-14067](#) [GT-14132](#) [GT-18030](#) [MZ07A108](#) [PST360G2-1S-C0000-ERA360-05K](#)
[MZC1-2V2PS-KP0](#) [PSC360G2-F1P-C0000-ERA360-05K-200](#) [115L 9E 502 W06017](#) [115L 5,2E 502 W06017](#) [115L 14E 502 W06017](#)
[103SR14A-1](#) [55100-3H-04-A](#) [MZT7-03VPS-KW0](#) [MZT8-03VPS-KW0](#) [A1326LLHLT-T](#) [55505-00-02-B](#) [GN 55.2-ND-15-3](#) [GN 55.2-ND-18-3](#) [GN 55.2-ND-4-3](#) [GN 55.2-ND-8-3](#) [GN 55.2-SC-10-3](#) [GN 55.4-ND-10-7,5-2](#) [GN 55.4-ND-12-9,5-2,5](#) [GN 55.4-ND-26-20,3-5](#) [GN 55.4-ND-7,5-4-1,5](#) [101MG7-BP](#) [103SR18-1](#) [A1324LUA-T](#) [MXM1120KIT](#) [MXM1120SOKIT](#) [A3212EUA-T](#) [AA006-02E](#) [55140-3H-03-A](#)
[55100-2M-02-A](#) [MM12-60APS-ZUK](#) [ACX04-F99-I-V15](#) [GN 55.1-SC-24-11.5-4](#) [MZA70155](#) [MZR40158](#) [PW520000](#) [ADH025-00E](#) [MZT7-03VPS-KP0](#) [MZT8-03VPS-KR0](#) [MZT8-03VPS-KP0](#) [RZT7-03ZRS-KP0](#)