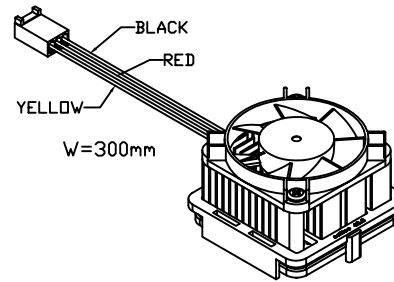
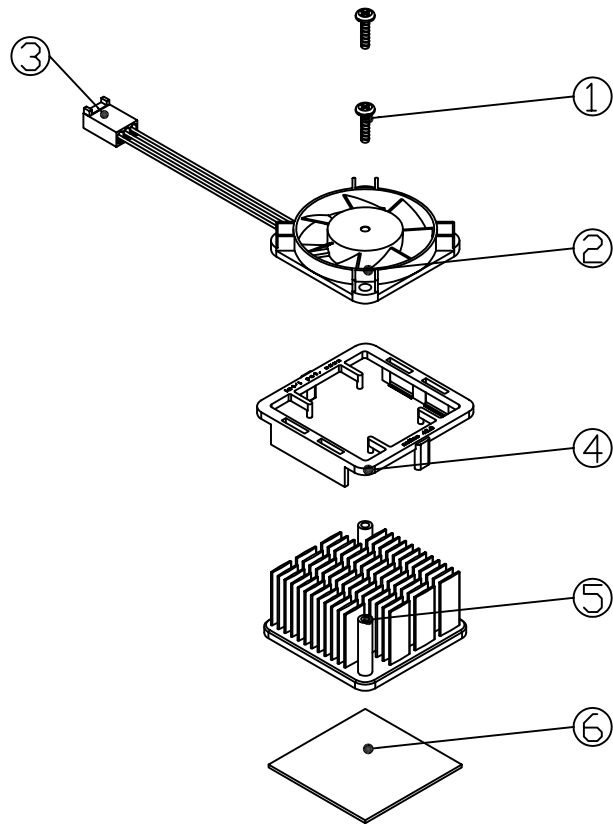
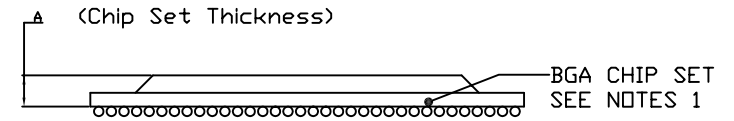


REV	ALTERATION	DATE	CHECKED
A	NEWRELEASE	06.16.2006	Nicole
B			
C			
D			
E			

CMBF 01 42 42 14 01-00
 FORGE PART NUMBER REFERENCE NUMBER
 REFERENCE NUMBER (2 DIGIT)
 MALICO STANDARD TYPE
 PLATE FIN (AL) : 01
 ROUND FIN (AL) : 02
 PLATE FIN (CU) : 04
 ROUND FIN (CU) : 05
 HEAT SINK DIM (L) HEAT SINK DIM (W)
 TOTAL HEIGHT RANG ON MALICO
 STANDARD PRODNUT AS BELOW
 12 : 11.6mm
 15 : 14.6mm
 18 : 17.6mm
 21 : 20.6mm
 23 : 22.6mm
 28 : 27.6mm
 33 : 32.6mm



NOTES:

1:

A (Chip Set Thickness)	Compatible Clip (COLOR)
3.3mm±0.3mm	YELLOW (DCLIP045450902-00)
1.7mm±0.3mm	BLUE (DCLIP045450900-00)
0.9mm±0.3mm	ORANGE (DCLIP045450901-00)

2:

ITEM	DESCRIPTION	DIMENSION	MATERIAL	FINISH/COLOR	QTY
1	SCREW (F001-00079)	P2.6*10L	STEEL	NICKEL	2
2	FAN (CFANSU40400602-00)	40*40*6(5V)	ENGINEERING PLASTIC	BLACK	1
3	CONNECTOR 3-PIN	2695	****	****	1
4	CLIP (DCLIP0454509XX-00)	45.1*44.7*9.1	NYLON-46	CUSTOMER	1
5	HEAT SINK (RMB014242XXXX-07)	42.1*42.1*H	AL 6063	BLACK ANODIZE	1
6	THERMAL TAPE	40*40	BY CUSTOMER	****	1

FINISH: SEE NOTES 2	MALICO INC.			
MATERIAL: SEE NOTES 2				
DATE: 06.16.2006	APPROVED: Sammy	CHECKED: Audi	DRAWN: Nicole	REV: A
TITLE: ASSEMBLY	MODEL NO: CMBF014242XXXX-00 (MBF42.5003 SERIES)			

X-ON Electronics

Largest Supplier of Electrical and Electronic Components

Click to view similar products for [malico](#) manufacturer:

Other Similar products are found below :

[MBH30001-13L/2.0](#) [CMBA024949](#) [MBH375002-12P/2.6](#) [CEBF0145451601-00](#) [CL-Y-35X35](#) [MBH42.5002-12P/2.6](#)