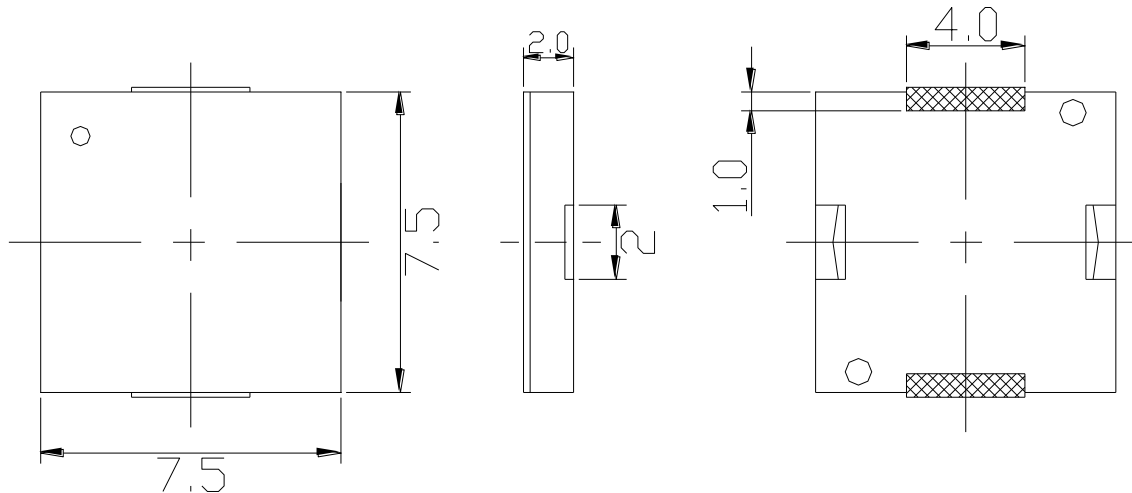


Specifications:

| | |
|----------------------------------|-----------------------------------|
| Resonant Frequency (Hz) | 6000 |
| Operating Voltage (Vpp) | 1 ~ 25 |
| Rated Voltage (Vpp) | 3.0 |
| Current Consumption Max. (mA) | 6 at 12 Vpp |
| Sound Pressure Level Min. (dB) | 74 at 10cm at 12Vpp |
| Capacitance (pF) | 6,000 ±30% |
| Operating Temperature (°C) | -40 ~ +85 |
| Storage Temperature (°C) | -40 ~ +85 |
| Housing | LCP Plastic Resin (Color: Black) |
| Type of Connection | SMD |
| Condition by wave soldering (°C) | 250 ±5 / within 5 sec |
| Condition by hand soldering (°C) | 350 ±20 / within 5 sec |
| Weight (Grams) | 0.2 |
| Options | For other options contact factory |

Dimensions: (units: mm)**ROHS Compliant****Packaging:** Parts are supplied on cut tape.

X-ON Electronics

Largest Supplier of Electrical and Electronic Components

Click to view similar products for [Piezo Buzzers & Audio Indicators](#) category:

Click to view products by [Mallory Sonalert](#) manufacturer:

Other Similar products are found below :

[68S1240-PA](#) [ESZ-26B](#) [FDG06PSLLF](#) [FDG111PLF](#) [F/DGX12P WITH LABEL LF](#) [F/NRMB 24 BLACK LF](#) [PF-35N29WQ](#) [PFD-21A29W](#)
[PFD-27A35PQ](#) [PL-21N30WQ](#) [PLD-21N30W](#) [PLD-21N30WQ](#) [PS-531Q](#) [PT-3534FP](#) [B822B](#) [B/CP28/100DB/BLACK LF](#) [S6109](#) [SC110E](#)
[SC2036ACP](#) [SC616N-2](#) [SC628FW](#) [SC628MPG](#) [SC648D](#) [SCS045MD9DT3S](#) [ESZ-25B-5-250B](#) [ESZ-25S](#) [F/BC 35-DR LF](#) [F/EB20P-DR LF](#)
[F/SU 21-02 LF](#) [F/TCW 12 WITH LABEL LF](#) [F/UCW 03 WITH LABEL LF](#) [F/UCW 06 WITH LABEL LF](#) [PFD-27N36W](#) [PKM35-4A0](#) [PL-](#)
[35N29WQ](#) [PLD-27A35PQ](#) [PS-552Q](#) [REF-202](#) [KBS-20DA-7AS](#) [KBS-27DA-5C-105](#) [LSC628ANR](#) [PL-21N31PQ](#) [F-B-P1405ISB LF](#)
[F/DGX 05P WITH LABEL LF](#) [MSR516NP](#) [STA22702W](#) [STA20502](#) [SBM616J](#) [SBM616P](#) [SBM616PU](#)