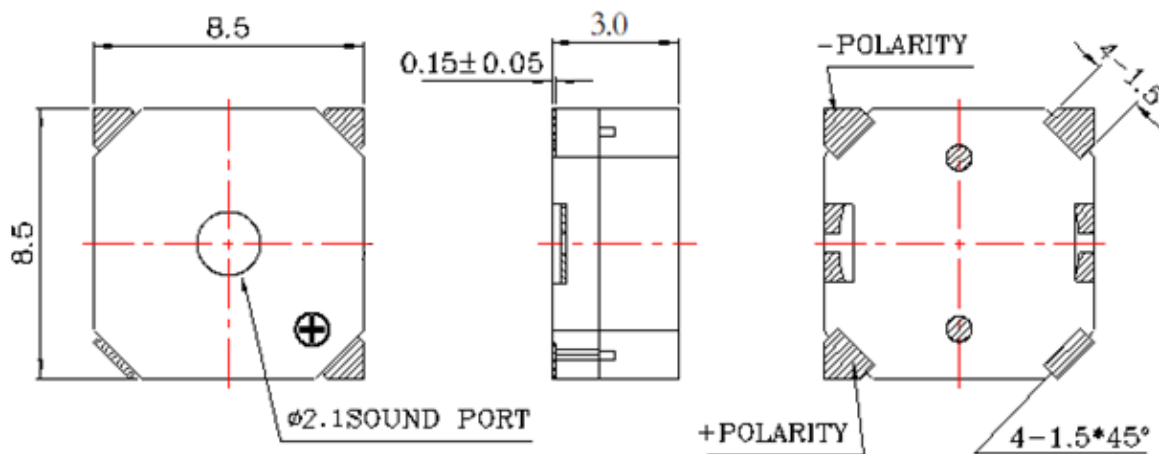


Sales Outline DrawingRevision **A****Specifications:**

| | |
|--|-----------------------------------|
| Oscillation Frequency (Hz) | 2700 |
| Operating Voltage (Vp-p) | 2 ~ 4 |
| Rated Voltage (Vp-p) | 3 |
| Current Consumption Max. (mA) | 100 at Rated Voltage |
| Sound Pressure Level (dB/min) | 80 at 10cm at Rated Voltage |
| Coil Resistance (Ω) | 16 ± 3 |
| Operating Temperature ($^{\circ}\text{C}$) | $-20 \sim +70$ |
| Storage Temperature ($^{\circ}\text{C}$) | $-30 \sim +80$ |
| Type of Connection Terminal | SMD |
| Housing | LCP plastic resin (Color : Black) |
| Weight (Grams) | 0.8 |
| Condition by reflow soldering ($^{\circ}\text{C}$) | 250 ± 5 / within 10 sec |
| Condition by hand soldering ($^{\circ}\text{C}$) | 350 ± 20 / within 5 sec |
| Options | For other options contact factory |

Dimensions: (units: mm)**RoHS Compliant****Packaging:**

Parts are supplied on cut tape.

X-ON Electronics

Largest Supplier of Electrical and Electronic Components

Click to view similar products for [Piezo Buzzers & Audio Indicators](#) category:

Click to view products by [Mallory Sonalert](#) manufacturer:

Other Similar products are found below :

[68S1240-PA](#) [ESZ-26B](#) [FDG06PSLLF](#) [FDG111PLF](#) [F/DGX12P WITH LABEL LF](#) [F/NRMB 24 BLACK LF](#) [PF-35N29WQ](#) [PFD-21A29W](#)
[PFD-27A35PQ](#) [PL-21N30WQ](#) [PLD-21N30W](#) [PLD-21N30WQ](#) [PS-531Q](#) [PT-3534FP](#) [B822B](#) [B/CP28/100DB/BLACK LF](#) [S6109](#) [SC110E](#)
[SC2036ACP](#) [SC616N-2](#) [SC628FW](#) [SC628MPG](#) [SC648D](#) [SCS045MD9DT3S](#) [ESZ-25B-5-250B](#) [ESZ-25S](#) [F/BC 35-DR LF](#) [F/EB20P-DR LF](#)
[F/SU 21-02 LF](#) [F/TCW 12 WITH LABEL LF](#) [F/UCW 03 WITH LABEL LF](#) [F/UCW 06 WITH LABEL LF](#) [PFD-27N36W](#) [PKM35-4A0](#) [PL-](#)
[35N29WQ](#) [PLD-27A35PQ](#) [PS-552Q](#) [REF-202](#) [KBS-20DA-7AS](#) [KBS-27DA-5C-105](#) [LSC628ANR](#) [PL-21N31PQ](#) [F-B-P1405ISB LF](#)
[F/DGX 05P WITH LABEL LF](#) [MSR516NP](#) [STA22702W](#) [STA20502](#) [SBM616J](#) [SBM616P](#) [SBM616PU](#)