

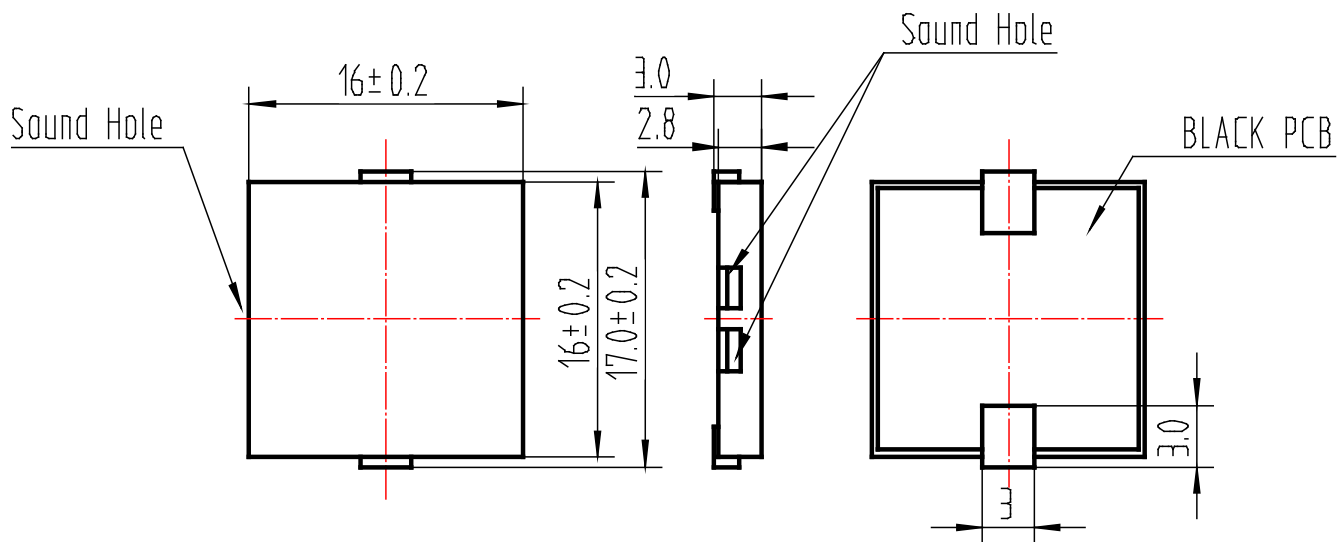
**May not be suitable for all Medical and Aerospace applications.  
Contact Mallory Sonalert to discuss your application.**

**NO CIRCUITRY**

|                                    |                                   |
|------------------------------------|-----------------------------------|
| Resonant Frequency (Hz)            | 4000 ± 500                        |
| Operating Voltage (Vp-p)           | 1 ~ 25                            |
| Rated Voltage (Vp-p)               | 3.0                               |
| Current Consumption (mA/max)       | 3 at Rated Voltage                |
| Sound Pressure Level Min. (dB)     | 75 at 10cm at Rated Voltage       |
| Capacitance (pF)                   | 14,000 ± 30% at 1 kHz             |
| Operating Temperature (°C)         | -30 ~ +100                        |
| Storage Temperature (°C)           | -40 ~ +110                        |
| Housing                            | LCP Plastic Resin (Color : Black) |
| Weight (Grams)                     | 1.0                               |
| Condition by reflow soldering (°C) | 250 ± 5°C / within 5 sec          |
| Condition by hand soldering (°C)   | 350 ± 20°C / within 5 sec         |
| Options                            | For other options contact factory |

**Dimensions:** (units: mm)

PS: Vp-p = 1/2duty, square wave

**ROHS Compliant****Packaging:**

Parts are supplied on reels (800 pcs per tape and reel)

Units do not come with wash label and are not appropriate for aqueous wash.

## X-ON Electronics

Largest Supplier of Electrical and Electronic Components

*Click to view similar products for [Piezo Buzzers & Audio Indicators](#) category:*

*Click to view products by [Mallory Sonalert](#) manufacturer:*

Other Similar products are found below :

[6-4](#) [68S1240-PA](#) [MBA-624](#) [FDG06PSLLF](#) [FDG111PLF](#) [F/NRMB 24 BLACK LF](#) [PF-35N29WQ](#) [PFD-21A29W](#) [PFD-27A35PQ](#) [PL-21N30WQ](#) [PL-27A35PSQ](#) [PLD-21N30W](#) [PLD-21N30WQ](#) [PS-531Q](#) [PT-3534FP](#) [EBPT-401](#) [B822B](#) [B/CP28/100DB/BLACK LF](#) [PB-1220PEQ](#) [S6109](#) [SBM616PR](#) [SC110E](#) [SC2036ACP](#) [SC616N-2](#) [SC628FW](#) [SC628MPG](#) [SC648D](#) [SCS045MD9DT3S](#) [FCM12PLF](#) [F/EB20P-DR LF](#) [F/SMD03A LF](#) [FSMD8585JSLF](#) [F/SU 21-02 LF](#) [F/TCW 12 WITH LABEL LF](#) [F/UCW 06 WITH LABEL LF](#) [PFD-27N36W](#) [PKM22EPPH40S1-B0](#) [PKM35-4A0](#) [PL-35N29WQ](#) [PS-552Q](#) [CM-5](#) [REF-202](#) [B/SE 128 RED LF](#) [KBS-20DA-7AS](#) [KBS-27DA-5C-105](#) [LSC628ANR](#) [03-810.001](#) [RTO-1R07-001](#) [PL-21N31PQ](#) [B/CP 28B BLACK LF](#)