

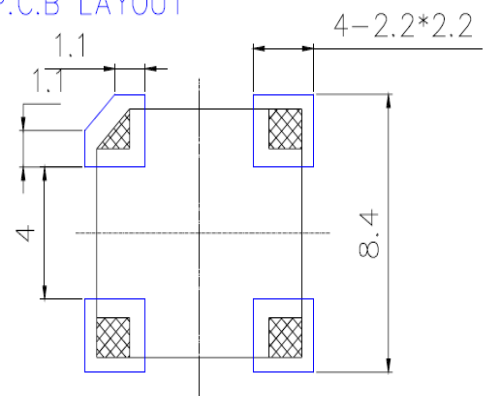
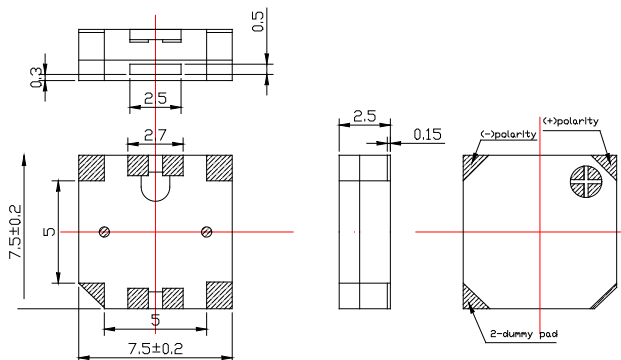
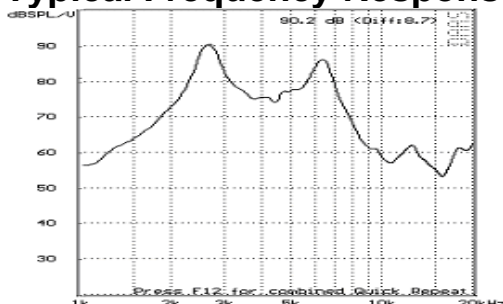
**May not be suitable for all Medical and Aerospace applications.
Contact Mallory Sonalert to discuss your application.**

NO CIRCUITRY

Oscillation Frequency (Hz)	2700
Operating Voltage (V _{p-p})	2.5 ~ 4.5
Rated Voltage (V _{p-p})	3.6
Current Consumption Max. (mA)	100 at Rated Voltage
Sound Pressure Level (dB/min)	85 at 10cm at Rated Voltage
Coil Resistance (Ω)	15 ± 3
Operating Temperature (°C)	-30 ~ +70
Storage Temperature (°C)	-40 ~ +80
Type of Connection Terminal	SMD
Housing	LCP plastic resin (Color : Black)
Weight (Grams)	2.0
Condition by reflow soldering (°C)	245 ± 5 / 1 min
Condition by hand soldering (°C)	350 ± 20 / within 5 sec
Options	For other options contact factory

Dimensions: (units: mm)**PS: V_{p-p}=1/2duty, square wave****RoHS Compliant**

RECOMMENDED P.C.B LAYOUT

**Typical Frequency Response Curve****Packaging:** Parts are supplied on Cut-Tape.

Units do not come with wash label and are not appropriate for aqueous wash.

X-ON Electronics

Largest Supplier of Electrical and Electronic Components

Click to view similar products for [Piezo Buzzers & Audio Indicators](#) category:

Click to view products by [Mallory Sonalert](#) manufacturer:

Other Similar products are found below :

[6-4](#) [68S1240-PA](#) [MBA-624](#) [FDG06PSLLF](#) [FDG111PLF](#) [F/NRMB 24 BLACK LF](#) [PF-35N29WQ](#) [PFD-21A29W](#) [PFD-27A35PQ](#) [PL-21N30WQ](#) [PL-27A35PSQ](#) [PLD-21N30W](#) [PLD-21N30WQ](#) [PS-531Q](#) [PT-3534FP](#) [EBPT-401](#) [B822B](#) [B/CP28/100DB/BLACK LF](#) [PB-1220PEQ](#) [S6109](#) [SBM616PR](#) [SC110E](#) [SC2036ACP](#) [SC616N-2](#) [SC628FW](#) [SC628MPG](#) [SC648D](#) [SCS045MD9DT3S](#) [FCM12PLF](#) [F/EB20P-DR LF](#) [F/SMD03A LF](#) [FSMD8585JSLF](#) [F/SU 21-02 LF](#) [F/TCW 12 WITH LABEL LF](#) [F/UCW 06 WITH LABEL LF](#) [PFD-27N36W](#) [PKM22EPPH40S1-B0](#) [PKM35-4A0](#) [PL-35N29WQ](#) [PS-552Q](#) [CM-5](#) [REF-202](#) [B/SE 128 RED LF](#) [KBS-20DA-7AS](#) [KBS-27DA-5C-105](#) [LSC628ANR](#) [03-810.001](#) [RTO-1R07-001](#) [PL-21N31PQ](#) [B/CP 28B BLACK LF](#)