



**Mallory Sonalert Products, Inc.**

Part #:

**FL1M-12CW-1  
12mm Panel Light**

**Sales Outline Drawing**

Revision:

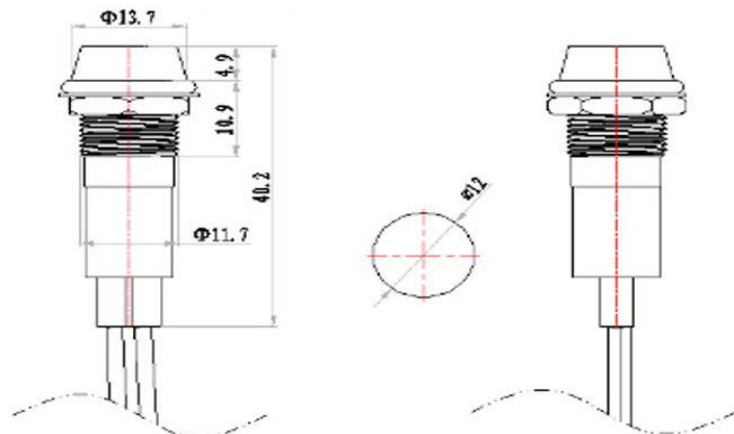
**B**

**Specifications:**

|                                 |  |
|---------------------------------|--|
| Panel Hole                      | 12 mm  |
| Voltage Type                    | AC/DC  |
| LED Color Available             | Red, Green, Blue, Yellow, or White           |
| Lens Color                      | Same as LED                                  |
| Rated Voltage Available         | See table below                              |
| Max Current Draw                | 20 mA  |
| Storage & Operating Temperature | -20 °C to +85 °C                             |
| Ingress Protection Rating       | IP65   |
| LED Life                        | 70,000 hours                                 |
| Weight (Typical)                | 14.6 g                                       |
| Housing Material                | Nickel-plated Brass, PA66, and Polycarbonate |
| Termination Type                | Wires  |
| Wire Specification              | 7.3" (185 mm) PVC AWG18                      |
| Max Nut Torque                  | 32 ft-lbs (44 Nm)                            |
| Panel Thickness                 | 0.04-0.30" (1-7.7mm)                         |
| Hardware Kit                    | LM12-FSQ12-MHDP12                            |

**RoHS Compliant**

**Dimensions (mm):**



**Part Number:**

**FL1M-12CW-1-X#V**

- B=Blue
- G=Green
- R=Red
- Y=Yellow
- W=White

Rated Voltage

Lead color may vary

Length for reference only.

|        | Light Intensity | Dominant Wavelength | Viewing Angle |
|--------|-----------------|---------------------|---------------|
| Red    | 1000 -1500 mcd  | 622 nm              | 150°          |
| Green  | 8000 -10000 mcd | 522 nm              | 150°          |
| Yellow | 1000 -1500 mcd  | 590 nm              | 150°          |
| Blue   | 2000 - 3000 mcd | 464 nm              | 150°          |

| Rated Voltage | 2 VAC/DC | 3 VAC/DC  | 6 VAC/DC | 12 VAC/DC  | 24 VAC/DC  | 48 VAC/DC  | 110 VAC/DC | 220 VAC/DC | 380 VAC/DC |
|---------------|----------|-----------|----------|------------|------------|------------|------------|------------|------------|
| Red           | 1.8-2.2V | 2.7-3.3V  | 5.4-6.6V | 10.8-13.2V | 21.6-26.4V | 43.2-52.8V | 99-121V    | 198-242V   | 342-418V   |
| Green         | N/A      | 3-3.2V    | 5.4-6.6V | 10.8-13.2V | 21.6-26.4V | 43.2-52.8V | 99-121V    | 198-242V   | 342-418V   |
| Blue          | N/A      | 3.12-3.2V | 5.4-6.6V | 10.8-13.2V | 21.6-26.4V | 43.2-52.8V | 99-121V    | 198-242V   | 342-418V   |
| Yellow        | 2-2.2V   | 2.7-3.3V  | 5.4-6.6V | 10.8-13.2V | 21.6-26.4V | 43.2-52.8V | 99-121V    | 198-242V   | 342-418V   |
| White         | N/A      | 3-3.2V    | 5.4-6.6V | 10.8-13.2V | 21.6-26.4V | 43.2-52.8V | 99-121V    | 198-242V   | 342-418V   |

## X-ON Electronics

Largest Supplier of Electrical and Electronic Components

*Click to view similar products for [LED Panel Mount Indicators](#) category:*

*Click to view products by [Mallory Sonalert](#) manufacturer:*

Other Similar products are found below :

[607-3232-140F](#) [821-0331-503](#) [FL2870C8R](#) [FL2950WL7B](#) [FL2950WL8G](#) [FL589WL8R](#) [FL67C8R](#) [H8630FBBA3](#) [NL177WL2A](#)  
[NL177WL3G](#) [NL276C2A](#) [NL2950BWL3G](#) [NL589WL2R](#) [NL67C2C](#) [NL67C3R](#) [C480AABG3](#) [PB22BM41K](#) [PB22SIM40Y](#)  
[PB22SKRS31KC](#) [L32R-R2-2311](#) [L3353-MWRG](#) [L39UR-R24-2111](#) [L58D-G2-W](#) [L58D-Y2-W](#) [L59D-R12-W](#) [L59UD-R12-W](#) [L625DG](#)  
[L625DR](#) [LE177WL39007](#) [LE2950BWL39018](#) [LH1048BSWL3702](#) [LH1048BWL3702](#) [LH382A](#) [LH677G](#) [LHM628A](#) [FL276WL7R](#)  
[FL2950BWL7R](#) [FL2950WL7R](#) [FL2950WL8R](#) [FL2950WL8R-12](#) [FL2951WL8G](#) [FL2951WL8R](#) [FL589C7R](#) [FL67WL8G](#) [MPC5BCW18.0](#)  
[556-1605-808F](#) [556-1705-809F](#) [556-3008-839F](#) [558-0201-818F](#) [559-0001-813F](#)