

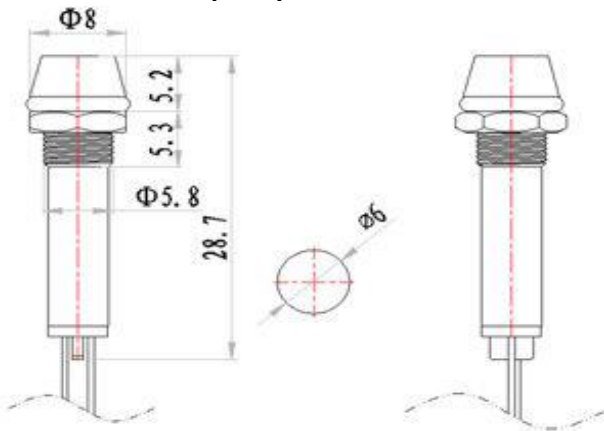
Sales Outline Drawing

Specifications:

| | |
|---------------------------------|--|
| Panel Hole | 6 mm |
| LED Color Available | Red, Green, Blue, Yellow, or White |
| Lens Color | Same as LED |
| Rated Voltage Available | See table below |
| Max Current Draw | 20 mA |
| Storage & Operating Temperature | -20 °C to +85 °C |
| Ingress Protection Rating | IP65 |
| LED Life | 70,000 hours |
| Weight (Typical) | 3.6 g |
| Housing Material | Nickel-plated Brass, PA66, and Polycarbonate |
| Termination Type | Pin terminals |
| Pin Length | 15±10mm |
| Max Nut Torque | 5.9 ft-lbs (8 Nm) |
| Soldering Conditions | Max 260°C (500°F) for 3 seconds |
| Panel Thickness | 0.04-0.16" (1-4mm) |
| Hardware Kit | LM6-FSQ6 |

ROHS Compliant

Dimensions (mm):



Part Number:

FL1M-6CJ-1-X#V



| | Light Intensity | Dominant Wavelength | Viewing Angle |
|--------|-----------------|---------------------|---------------|
| Red | 1000 -1500 mcd | 622 nm | 35° |
| Green | 8000 -10000 mcd | 522 nm | 60° |
| Yellow | 1000 -1500 mcd | 590 nm | 35° |
| Blue | 2000 - 3000 mcd | 464 nm | 35° |

| Rated Voltage | 2 VDC | 3 VDC | 6 VDC | 12 VDC | 24 VDC | 48 VDC |
|---------------|----------|-----------|----------|------------|------------|------------|
| Red | 1.8-2.2V | 2.7-3.3V | 5.4-6.6V | 10.8-13.2V | 21.6-26.4V | 43.2-52.8V |
| Green | N/A | 3-3.2V | 5.4-6.6V | 10.8-13.2V | 21.6-26.4V | 43.2-52.8V |
| Blue | N/A | 3.12-3.2V | 5.4-6.6V | 10.8-13.2V | 21.6-26.4V | 43.2-52.8V |
| Yellow | 2-2.2V | 2.7-3.3V | 5.4-6.6V | 10.8-13.2V | 21.6-26.4V | 43.2-52.8V |
| White | N/A | 3-3.2V | 5.4-6.6V | 10.8-13.2V | 21.6-26.4V | 43.2-52.8V |

X-ON Electronics

Largest Supplier of Electrical and Electronic Components

Click to view similar products for [LED Panel Mount Indicators](#) category:

Click to view products by [Mallory Sonalert](#) manufacturer:

Other Similar products are found below :

[821-0331-503](#) [FL2870C8R](#) [FL2950WL7B](#) [FL2950WL8G](#) [FL589WL8R](#) [FL67C8R](#) [H8630FBBA3](#) [NL1041WL3A](#) [NL177WL2A](#)
[NL177WL3G](#) [NL276C2A](#) [NL2950BWL3G](#) [NL589WL2R](#) [NL67C2C](#) [NL67C3R](#) [C430ABWC2](#) [C480AABG3](#) [PB22BM41K](#) [PB22SIM40Y](#)
[PB22SKRS31KC](#) [L32R-R2-2311](#) [L3353-MWRG](#) [L39UR-R24-2111](#) [L58D-G2-W](#) [L58D-Y2-W](#) [L59D-R12-W](#) [L59UD-R12-W](#) [L625DG](#)
[L625DR](#) [LE177WL39007](#) [LE2821H5G](#) [LE2950BWL39018](#) [LH1048BSWL3702](#) [LH1048BWL3702](#) [LH382A](#) [LH677G](#) [LHM628A](#)
[FL276WL7R](#) [FL2950BWL7R](#) [FL2950WL7R](#) [FL2950WL8R-12](#) [FL2951WL8G](#) [FL2951WL8R](#) [FL67WL8G](#) [3S6/5130V](#) [556-1605-808F](#)
[556-1705-809F](#) [C430AABG2](#) [VL1CK0P600](#) [VL1CKGP600](#)