



**Mallory Sonalert Products, Inc.**

Part #:

**JR16-RG-4**

**Sales Outline Drawing**

Revision:

**A**

**Specifications:**

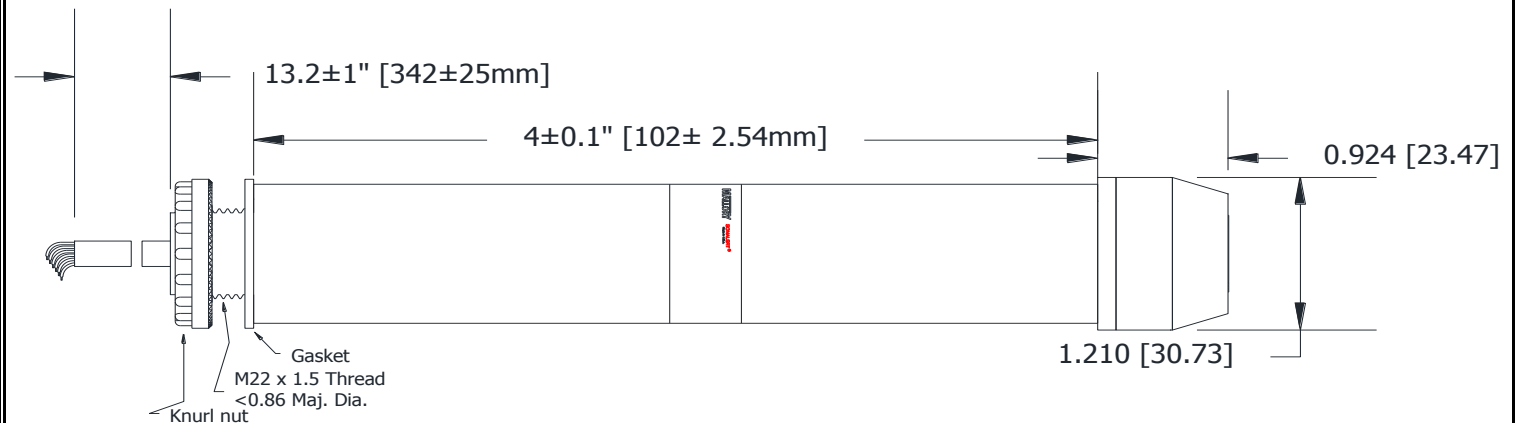
|                         |  |          |
|-------------------------|--|----------|
| Voltage Rating          | 9 to 16 VDC  |          |
| Stack Level             | BOTTOM   | TOP      |
| LED Color               | GREEN  | RED      |
| LED Current Draw        | 25mA max   | 60mA MAX |
| Total Max Current Draw  | 85mA MAX   |          |
| Housing Material        | 6/6 Nylon, Color: Black  |          |
| Top Cap / Lens Material | 6/6 Nylon, Color: Opaque White                                 |          |
| Storage Temperature     | -40° to +70° C   |          |
| Operating Temperature   | -30° to +60° C   |          |
| Mounting                | Recommended hole size is 22.5 mm.                              |          |
| Knurled Nut             | The max recommended torque is 10 in-lbs.                       |          |
| Cable                   | Gray, UL Style 21894, 300V, 105°C, 24AWG, Pb-Free Tinned Leads |          |
| Weight (Typical)        | 108 grams  |          |
| NEMA 12                 | Approved with use of included gasket.                          |          |
| Options                 | Please contact factory.  |          |

**Dimensions:**

Inches (mm)

**cUL Recognized**

**ROHS Compliant**



**Connections:**

- BOTTOM BROWN wire to Ground and GREEN wire to Positive
- TOP BROWN wire to Ground and RED wire to Positive

## X-ON Electronics

Largest Supplier of Electrical and Electronic Components

*Click to view similar products for [LED Panel Mount Indicators](#) category:*

*Click to view products by [Mallory Sonalert](#) manufacturer:*

Other Similar products are found below :

[607-3232-140F](#) [821-0331-503](#) [FL2870C8R](#) [FL2950WL7B](#) [FL2950WL8G](#) [FL589WL8R](#) [FL67C8R](#) [H8630FBBA3](#) [NL177WL2A](#)  
[NL177WL3G](#) [NL276C2A](#) [NL2950BWL3G](#) [NL589WL2R](#) [NL67C2C](#) [NL67C3R](#) [C480AABG3](#) [PB22BM41K](#) [PB22SIM40Y](#)  
[PB22SKRS31KC](#) [L32R-R2-2311](#) [L3353-MWRG](#) [L39UR-R24-2111](#) [L58D-G2-W](#) [L58D-Y2-W](#) [L59D-R12-W](#) [L59UD-R12-W](#) [L625DG](#)  
[L625DR](#) [LE177WL39007](#) [LE2950BWL39018](#) [LH1048BSWL3702](#) [LH1048BWL3702](#) [LH382A](#) [LH677G](#) [LHM628A](#) [FL276WL7R](#)  
[FL2950BWL7R](#) [FL2950WL7R](#) [FL2950WL8R](#) [FL2950WL8R-12](#) [FL2951WL8G](#) [FL2951WL8R](#) [FL589C7R](#) [FL67WL8G](#) [MPC5BCW18.0](#)  
[556-1605-808F](#) [556-1705-809F](#) [556-3008-839F](#) [558-0201-818F](#) [559-0001-813F](#)