

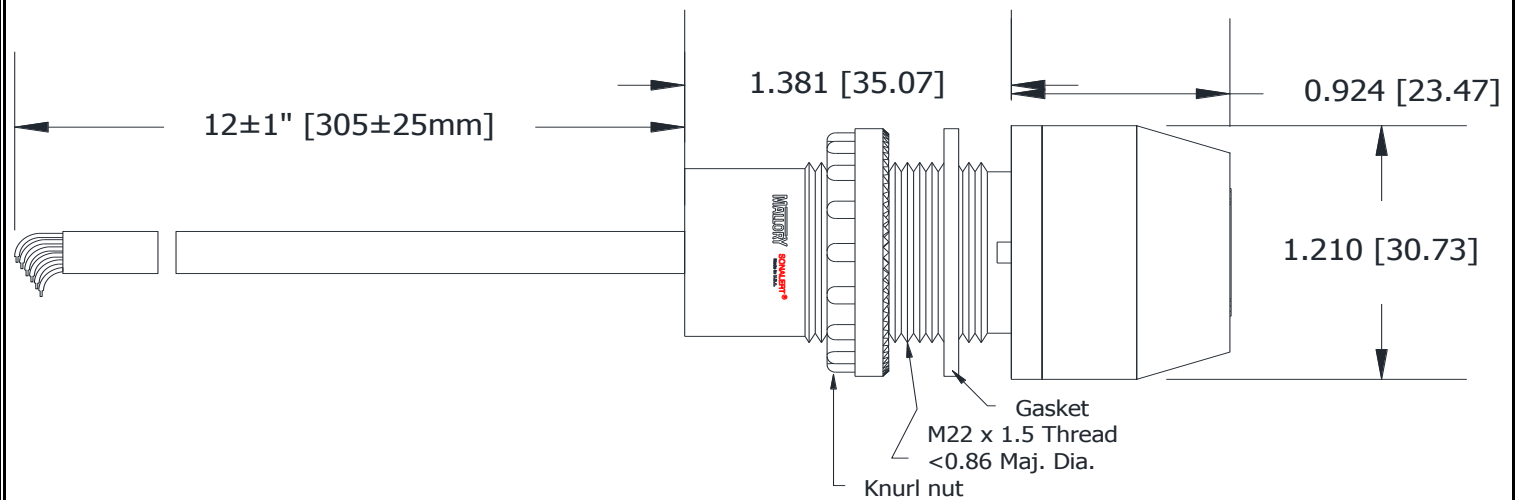


## Sales Outline Drawing

### Specifications:

|                         |  |          |
|-------------------------|--|----------|
| Sound Level Category    | Loud   |          |
| Mode of Operation       | Continuous   |          |
| Voltage Rating          | 9 to 16 VDC  |          |
| Frequency               | 3900 ± 500 Hz  |          |
| Loudness @ 1M           | 80 to 85 dB(A) Typ.  |          |
| Sound Current Draw      | 25mA MAX   |          |
| Stack Level             | BOTTOM   | TOP      |
| LED Color               | GREEN  | RED      |
| LED Current Draw        | 25mA max   | 60mA MAX |
| Total Max Current Draw  | 110mA MAX  |          |
| Housing Material        | 6/6 Nylon, Color: Black  |          |
| Top Cap / Lens Material | 6/6 Nylon, Color: Opaque White                                 |          |
| Storage Temperature     | -40° to +70° C   |          |
| Operating Temperature   | -30° to +60° C   |          |
| Mounting                | Recommended hole size is 22.5 mm.                              |          |
| Knurled Nut             | The max recommended torque is 10 in-lbs.                       |          |
| Cable                   | Gray, UL Style 21894, 300V, 105°C, 24AWG, Pb-Free Tinned Leads |          |
| Weight (Typical)        | 35 grams   |          |
| NEMA 12                 | Approved with use of included gasket.                          |          |
| Options                 | Please contact factory.  |          |

### Dimensions: Inches (mm) **cUL Recognized** **ROHS Compliant**



### Connections:

- SOUND** BLACK wire to Ground and ORANGE wire to Positive
- BOTTOM** BROWN wire to Ground and GREEN wire to Positive
- TOP** BROWN wire to Ground and RED wire to Positive

## X-ON Electronics

Largest Supplier of Electrical and Electronic Components

*Click to view similar products for [Piezo Buzzers & Audio Indicators](#) category:*

*Click to view products by [Mallory Sonalert](#) manufacturer:*

Other Similar products are found below :

[6-4](#) [68S1240-PA](#) [MBA-624](#) [FDG06PSLLF](#) [FDG111PLF](#) [F/NRMB 24 BLACK LF](#) [PF-35N29WQ](#) [PFD-21A29W](#) [PFD-27A35PQ](#) [PL-21N30WQ](#) [PL-27A35PSQ](#) [PLD-21N30W](#) [PLD-21N30WQ](#) [PS-531Q](#) [PT-3534FP](#) [EBPT-401](#) [B822B](#) [B/CP28/100DB/BLACK LF](#) [PB-1220PEQ](#) [S6109](#) [SBM616PR](#) [SC110E](#) [SC2036ACP](#) [SC616N-2](#) [SC628FW](#) [SC628MPG](#) [SC648D](#) [SCS045MD9DT3S](#) [FCM12PLF](#) [F/EB20P-DR LF](#) [F/SMD03A LF](#) [FSMD8585JSLF](#) [F/SU 21-02 LF](#) [F/TCW 12 WITH LABEL LF](#) [F/UCW 06 WITH LABEL LF](#) [PFD-27N36W](#) [PKM22EPPH40S1-B0](#) [PKM35-4A0](#) [PL-35N29WQ](#) [PS-552Q](#) [CM-5](#) [REF-202](#) [B/SE 128 RED LF](#) [KBS-20DA-7AS](#) [KBS-27DA-5C-105](#) [LSC628ANR](#) [03-810.001](#) [RTO-1R07-001](#) [PL-21N31PQ](#) [B/CP 28B BLACK LF](#)