

Sales Outline Drawing

Specifications:

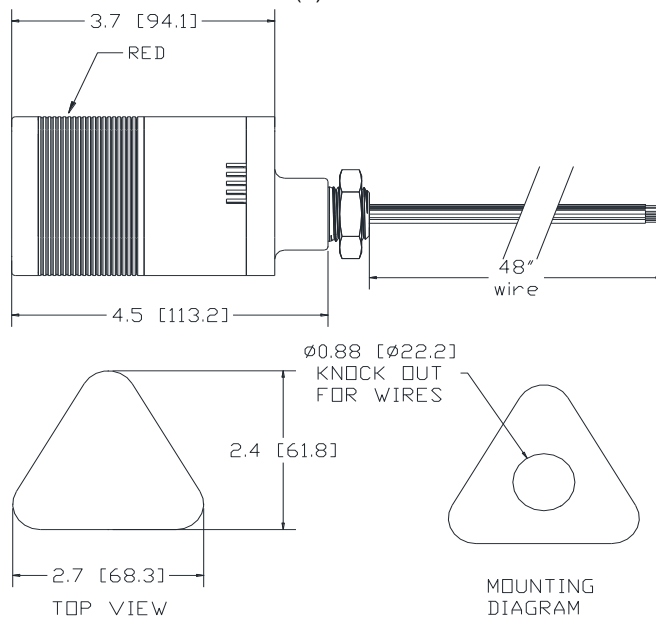
| | | | | |
|------------------------|----------------------------------------------------------|------------------------------------------------------------------|------------------------------------------------------------------|------------------------------------------------------------------------------|
| Stack Number: | 1 | | | |
| LED Color: | RED | | | |
| Connection Wires: | Red and Brown | | | |
| LED Current Draw: | <50 mA | | | |
| Rated Voltage: | 24 VAC/DC | | | |
| Operating Voltage: | 20-28 VAC/DC | | | |
| Sound Level Category: | Loud | Loud | Loud | Loud |
| Mode of Operation: | Continuous | Medium Pulse (5PPS) | Double Pulse (0.5PPS) | Continuous for 5 sec then 0.1s beep until reset |
| Connection: | Black and Gray Wires | Black and Gray Wires; Orange wire connected to Green/Yellow wire | Black and Gray Wires; Purple wire connected to Green/Yellow wire | Black and Gray wires; Orange and Purple wires connected to Green/Yellow wire |
| Sound Current Draw: | 40mA Max. | 40mA Max. | 40mA Max. | 40mA Max. |
| Loudness @ 1m: | 80-85 dB(A) Typ. | | | |
| Frequency: | 2000 ± 500 Hz | | | |
| Total Max Current: | <90mA with all LED's and sound unit working | | | |
| Operating Temperature: | -25° ~ +60°C | | | |
| Lens Color: | Opaque White | | | |
| Material: | ABS FR15U | | | |
| Mounting Method: | Direct Mount using 1/2" NPT Stainless Steel Pipe and Nut | | | |
| Weight Typical (g): | 270 | | | |
| NEMA 12: | Approved | | | |
| Options: | Please contact factory. | | | |

Dimensions: Inches (mm)

cUL Recognized

ROHS Compliant

PATENT NUMBER(S) D898600 10309594



LED OPERATION: CONNECT STACK COLOR WIRE TO POWER AND BROWN WIRE TO POWER.

SOUND OPERATION:
 CONNECT GRAY AND BLACK WIRES TO POWER FOR CONTINUOUS SOUND.
 FOR MEDIUM PULSE, CONNECT GRAY & BLACK TO POWER AND ORANGE WIRE TO GREEN/YELLOW WIRE.
 FOR DOUBLE PULSE, CONNECT GRAY & BLACK TO POWER AND PURPLE WIRE TO GREEN/YELLOW WIRE.
 FOR CONT/BEEP, CONNECT GRAY & BLACK TO POWER AND ORANGE & PURPLE TO GREEN/YELLOW WIRE.

X-ON Electronics

Largest Supplier of Electrical and Electronic Components

Click to view similar products for [Piezo Buzzers & Audio Indicators](#) category:

Click to view products by [Mallory Sonalert](#) manufacturer:

Other Similar products are found below :

[6-4](#) [68S1240-PA](#) [MBA-624](#) [FDG06PSLLF](#) [FDG111PLF](#) [F/NRMB 24 BLACK LF](#) [PF-35N29WQ](#) [PFD-21A29W](#) [PFD-27A35PQ](#) [PL-21N30WQ](#) [PL-27A35PSQ](#) [PLD-21N30W](#) [PLD-21N30WQ](#) [PS-531Q](#) [PT-3534FP](#) [EBPT-401](#) [B822B](#) [B/CP28/100DB/BLACK LF](#) [PB-1220PEQ](#) [S6109](#) [SBM616PR](#) [SC110E](#) [SC2036ACP](#) [SC616N-2](#) [SC628FW](#) [SC628MPG](#) [SC648D](#) [SCS045MD9DT3S](#) [FCM12PLF](#) [F/EB20P-DR LF](#) [F/SMD03A LF](#) [FSMD8585JSLF](#) [F/SU 21-02 LF](#) [F/TCW 12 WITH LABEL LF](#) [F/UCW 06 WITH LABEL LF](#) [PFD-27N36W](#) [PKM22EPPH40S1-B0](#) [PKM35-4A0](#) [PL-35N29WQ](#) [PS-552Q](#) [CM-5](#) [REF-202](#) [B/SE 128 RED LF](#) [KBS-20DA-7AS](#) [KBS-27DA-5C-105](#) [LSC628ANR](#) [03-810.001](#) [RTO-1R07-001](#) [PL-21N31PQ](#) [B/CP 28B BLACK LF](#)