

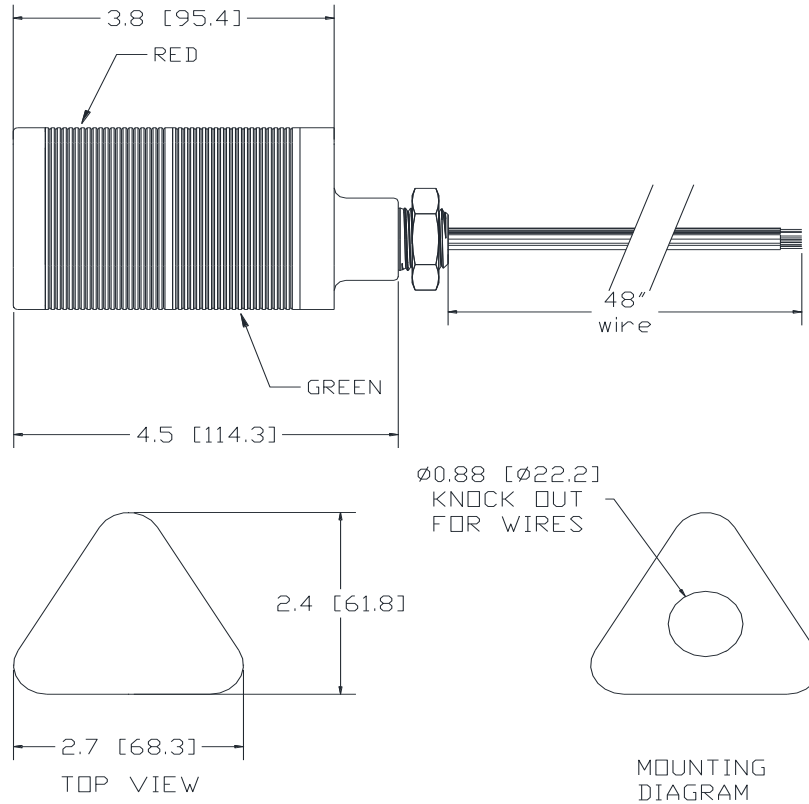
Sales Outline Drawing

Specifications:

| | | | | |
|------------------------|--|-----------------|--|--|
| Stack Number: | 1 | 2 | | |
| LED Color: | RED | GREEN | | |
| Connection Wires: | Red and Brown | Green and Brown | | |
| LED Current Draw: | <50 mA | <40 mA | | |
| Rated Voltage: | 24 VAC/DC | | | |
| Operating Voltage: | 20-28 VAC/DC | | | |
| Total Max Current: | <90mA | | | |
| Operating Temperature: | -25° ~ +60°C | | | |
| Lens Color: | Opaque White | | | |
| Material: | ABS FR15U | | | |
| Mounting Method: | Direct Mount using 1/2" NPT Stainless Steel Pipe and Nut | | | |
| Weight Typical (g): | 210 | | | |
| NEMA 12: | Approved | | | |
| Options: | Please contact factory. | | | |

Dimensions: Inches (mm) **cUL Recognized** **ROHS Compliant**

PATENT NUMBER(S) D898600 10309594



LED OPERATION: CONNECT STACK COLOR WIRE TO POWER AND BROWN WIRE TO POWER.

X-ON Electronics

Largest Supplier of Electrical and Electronic Components

Click to view similar products for [LED Panel Mount Indicators](#) category:

Click to view products by [Mallory Sonalert](#) manufacturer:

Other Similar products are found below :

[607-3232-140F](#) [821-0331-503](#) [FL2870C8R](#) [FL2950WL7B](#) [FL2950WL8G](#) [FL589WL8R](#) [FL67C8R](#) [H8630FBBA3](#) [NL177WL2A](#)
[NL177WL3G](#) [NL276C2A](#) [NL2950BWL3G](#) [NL589WL2R](#) [NL67C2C](#) [NL67C3R](#) [C480AABG3](#) [PB22BM41K](#) [PB22SIM40Y](#)
[PB22SKRS31KC](#) [L32R-R2-2311](#) [L3353-MWRG](#) [L39UR-R24-2111](#) [L58D-G2-W](#) [L58D-Y2-W](#) [L59D-R12-W](#) [L59UD-R12-W](#) [L625DG](#)
[L625DR](#) [LE177WL39007](#) [LE2950BWL39018](#) [LH1048BSWL3702](#) [LH1048BWL3702](#) [LH382A](#) [LH677G](#) [LHM628A](#) [FL276WL7R](#)
[FL2950BWL7R](#) [FL2950WL7R](#) [FL2950WL8R](#) [FL2950WL8R-12](#) [FL2951WL8G](#) [FL2951WL8R](#) [FL589C7R](#) [FL67WL8G](#) [MPC5BCW18.0](#)
[556-1605-808F](#) [556-1705-809F](#) [556-3008-839F](#) [558-0201-818F](#) [559-0001-813F](#)