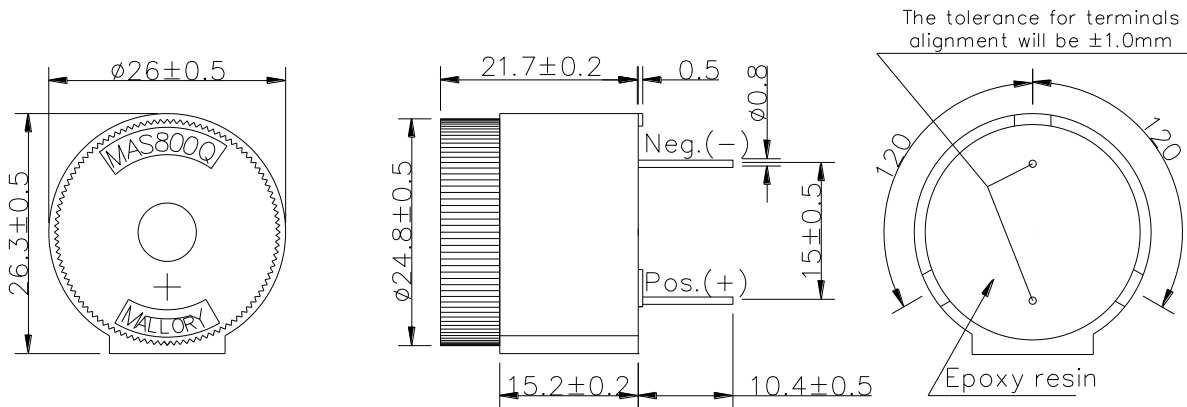


**May not be suitable for all medical and aerospace applications.
Specifications: Contact Mallory Sonalert to discuss your application.**

| | |
|----------------------------------|---|
| Oscillation Frequency (Hz) | 2700 ± 500 |
| Operating Voltage (Vdc) | 9 ~ 12 |
| Current Consumption Max. (mA) | 50 @ 12 Vdc |
| Sound Pressure Level (dB/min) | 103 @ 10cm @ 12 Vdc |
| Tone/Pulse Rate | Constant |
| Operating Temperature (°C) | -20 ~ +90 |
| Storage Temperature (°C) | -30 ~ +100 |
| Lead Pin | 100% Pure Tin Plated Brass No Post Plating Processes |
| Housing | ABS 777D UL94HB Plastic resin (Color: Gray) |
| Weight (Grams) | 10 |
| Condition by wave soldering (°C) | 245 ±5 / 3±0.5 sec |
| Condition by hand soldering (°C) | 350 ±20 / within 5 sec |
| Options | For other options contact factory |

RoHS Compliant

Dimensions: (units: mm)



X-ON Electronics

Largest Supplier of Electrical and Electronic Components

Click to view similar products for [Piezo Buzzers & Audio Indicators](#) category:

Click to view products by [Mallory Sonalert](#) manufacturer:

Other Similar products are found below :

[6-4](#) [68S1240-PA](#) [MBA-624](#) [FDG06PSLLF](#) [FDG111PLF](#) [F/NRMB 24 BLACK LF](#) [PF-35N29WQ](#) [PFD-21A29W](#) [PFD-27A35PQ](#) [PL-21N30WQ](#) [PL-27A35PSQ](#) [PLD-21N30W](#) [PLD-21N30WQ](#) [PS-531Q](#) [PT-3534FP](#) [EBPT-401](#) [B822B](#) [PB-1220PEQ](#) [S6109](#) [SBM616PR](#) [SC110E](#) [SC2036ACP](#) [SC616N-2](#) [SC628FW](#) [SC628MPG](#) [SC648D](#) [SCS045MD9DT3S](#) [FCM12PLF](#) [F/EB20P-DR LF](#) [F/SMD03A LF](#) [FSMD8585JSLF](#) [F/SU 21-02 LF](#) [F/TCW 12 WITH LABEL LF](#) [F/UCW 06 WITH LABEL LF](#) [PFD-27N36W](#) [PKM22EPPH40S1-B0](#) [PKM35-4A0](#) [PL-35N29WQ](#) [PS-552Q](#) [CM-5](#) [REF-202](#) [B/SE 128 RED LF](#) [KBS-20DA-7AS](#) [KBS-27DA-5C-105](#) [LSC628ANR](#) [03-810.001](#) [RTO-1R07-001](#) [PL-21N31PQ](#) [B/CP 28B BLACK LF](#) [F/DGX 05P WITH LABEL LF](#)