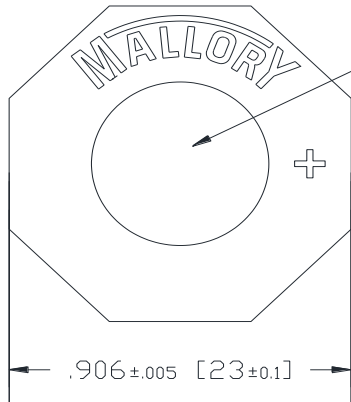


| Specifications: | | cUL Recognized to IEC60601-1-8 Ventilation Melody | | | |
|------------------------|---|--|--|--|------|
| Sound Level Category: | Silent | Loud | Loud | Loud | Loud |
| Mode of Operation: | Silent | Low Priority Alarm - 2 beeps repeating every 30 sec | Medium Priority Alarm - 3 beeps repeating every 7.5 sec | High Priority Alarm - 10 beeps repeating every 2.5 seconds | |
| Loudness @ 10cm: | Silent | 85 to 95 dB(A) Typ. | 85 to 95 dB(A) Typ. | 85 to 95 dB(A) Typ. | |
| Frequency: | Silent | 150 to 4000 Hz | | | |
| Connection: | Connect "+" to "+" & "-" to "-" of Power Supply | Connect "+" to "+" & "-" & Low to "-" of Power Supply | Connect "+" to "+" & "-" & Medium to "-" of Power Supply | Connect "+" to "+" & "-" & High to "-" of Power Supply | |
| Voltage Rating: | 5 ± 0.5 VDC | | | | |
| Average Current Draw: | <20mA Typ. | <45mA Typ. | <70mA Typ. | <150mA Typ. | |
| Ipk Current*: | 400mA | | | | |
| Housing Material: | Valox (UL94V-0), Octagonal, Black | | | | |
| Storage Temperature: | -30° to +60° C | | | | |
| Operating Temperature: | -30° to +55° C | | | | |
| Weight Typical: | 6.0g | | | | |
| Options: | Please contact factory. | | | | |

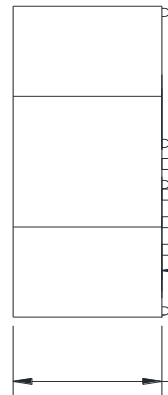
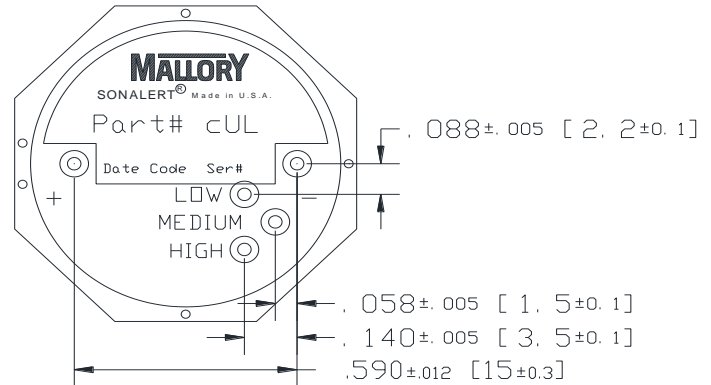
Dimensions: Inches [mm]

cUL Recognized

ROHS Compliant



EMISSION HOLE



NOTE A:
TERMINALS - .031" DIA. NICKEL/TIN COATED BRASS.

NOTE B:
MOUNTING- INSERT INTO PRINTED CIRCUIT BOARD AND HAND OR MACHINE SOLDER.
UNITS ARE SUITABLE FOR WAVE SOLDERING. BOARDS ARE NOT SUITABLE FOR WASH.
RECOMMENDED MAXIMUM TEMPERATURE AND TIME DURATION FOR WAVE SOLDERING IS
+270°C AND 3 SECONDS RESPECTIVELY.

*Ipk = Instantaneous Peak

X-ON Electronics

Largest Supplier of Electrical and Electronic Components

Click to view similar products for [Piezo Buzzers & Audio Indicators](#) category:

Click to view products by [Mallory Sonalert](#) manufacturer:

Other Similar products are found below :

[6-4](#) [68S1240-PA](#) [MBA-624](#) [FDG06PSLLF](#) [FDG111PLF](#) [F/NRMB 24 BLACK LF](#) [PF-35N29WQ](#) [PFD-21A29W](#) [PFD-27A35PQ](#) [PL-21N30WQ](#) [PL-27A35PSQ](#) [PLD-21N30W](#) [PLD-21N30WQ](#) [PS-531Q](#) [PT-3534FP](#) [EBPT-401](#) [B822B](#) [B/CP28/100DB/BLACK LF](#) [PB-1220PEQ](#) [S6109](#) [SBM616PR](#) [SC110E](#) [SC2036ACP](#) [SC616N-2](#) [SC628FW](#) [SC628MPG](#) [SC648D](#) [SCS045MD9DT3S](#) [FCM12PLF](#) [F/EB20P-DR LF](#) [F/SMD03A LF](#) [FSMD8585JSLF](#) [F/SU 21-02 LF](#) [F/TCW 12 WITH LABEL LF](#) [F/UCW 06 WITH LABEL LF](#) [PFD-27N36W](#) [PKM22EPPH40S1-B0](#) [PKM35-4A0](#) [PL-35N29WQ](#) [PS-552Q](#) [CM-5](#) [REF-202](#) [B/SE 128 RED LF](#) [KBS-20DA-7AS](#) [KBS-27DA-5C-105](#) [LSC628ANR](#) [03-810.001](#) [RTO-1R07-001](#) [PL-21N31PQ](#) [B/CP 28B BLACK LF](#)