

MALLORY**Mallory Sonalert
Products Inc.**

Part #

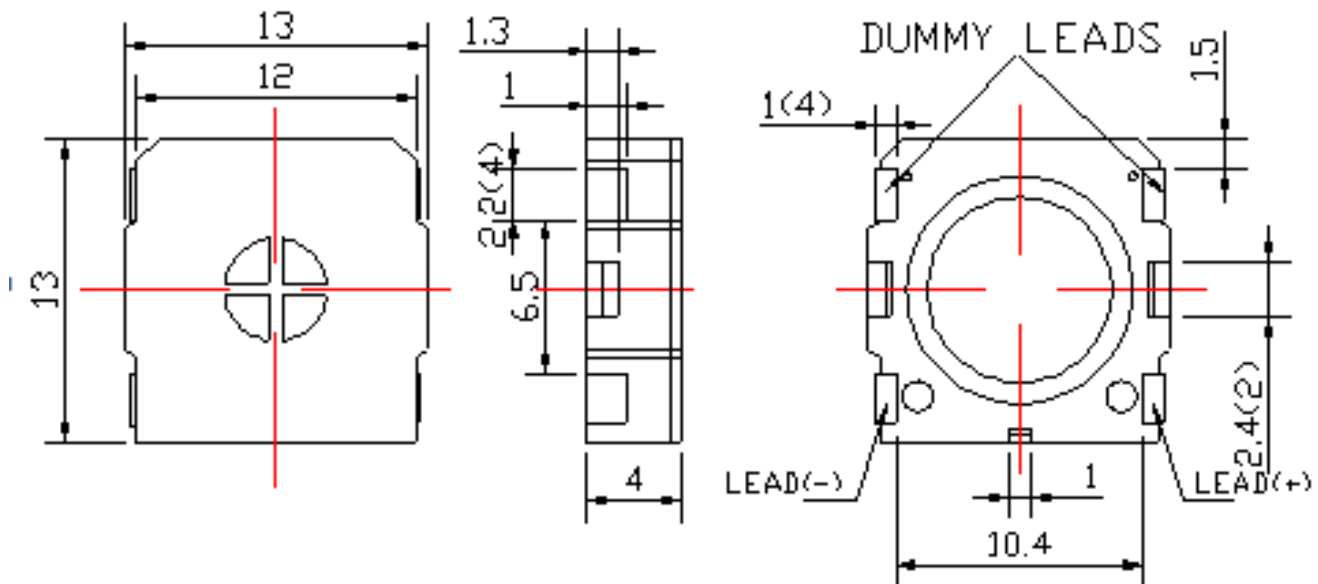
PSS-13N08SM-YTRQ**Sales Outline Drawing**

Revision

B

**May not be suitable for all Medical and Aerospace applications.
Contact Mallory Sonalert to discuss your application.**

Voice Coil Impedance (Ω)	$8 \pm 15\%$
Rated Input (W)	0.7
Max. Input (W)	1.0
Lowest Resonance Freq Fo (Hz)	$850 \pm 20\%$
Frequency Range (Hz)	Fo ~ 20,000
Output S.P.L. (dB)	88dB (0.7W/0.1m) ± 3 at 1.0k, 1.6k, 2.0k, 3.2kHz
	69.5 dB (1W/1m) ± 3 at 1.0k, 1.6k, 2.0k, 3.2kHz
Magnet Size (mm)	$\varnothing 6 * 1$
Magnet	Sm-Co
Weight (g)	1.1
Frame Material	LCP Plastic
Operating Temp ($^{\circ}\text{C}$)	-30 ~ +85
Storage Temp ($^{\circ}\text{C}$)	-40 ~ +85
Options	For other options contact factory

Dimensions: (units: mm)**Packaging:** Parts are supplied on reels (600pcs per tape and reel).

Units do not come with wash label and are not appropriate for aqueous wash.

X-ON Electronics

Largest Supplier of Electrical and Electronic Components

Click to view similar products for [Speakers & Transducers](#) category:

Click to view products by [Mallory Sonalert](#) manufacturer:

Other Similar products are found below :

[FC-30814-P127](#) [AS02832MR-2-R](#) [PB-1220PE](#) [PB-2015PQ](#) [SWFK-31736-000](#) [PT-2065FW](#) [PT-4175W](#) [PB-0927PQ](#) [MBS 3000-1811-A1AB08-0](#) [SMS2020-08H4.5 LF](#) [BDT1717-08H6.5W56MLF](#) [AS03608MR-LW100-R](#) [SP570445-4](#) [GSPK5010TN-4R2W](#) [GSPK5010TN-4R3W](#) [KLJ-1504R8W0.5-L44](#) [FS7423NB0430-H10.0](#) [FS50DS0430-H12.7 PEI](#) [FS3511NB0808-H6.7-R01](#) [FS66W04100-H31](#) [FS45DS0880-H24.8-R02](#) [FS32NS0820-H5.8-R01](#) [FS2112NB0807-H7.0-R01](#) [FS50DS0430-H13.3-R24](#) [FS3411P08-H4.0](#) [FS26NS0820-H4.9-R01](#) [FS14430NB0880-H30-R01](#) [FS5835DS0850-H19.4-R01](#) [FS2011NB0807-H3.9-R01](#) [FS28DS0820-H9.4-R01](#) [FS66W0850-H22](#) [FS40DS0830-H11.2-P2.0-L100](#) [FS28DS0830-H15.3](#) [FS102W0480-H35](#) [FS3525NS0820-H5.5-R01](#) [FS5035NB0820-H26.8-R01](#) [FS27DS0830-H10.8-R01](#) [FS3915NB0808-H11.5-R01](#) [FS3020NB0808-H4.0-R01](#) [FS3616NB0808-H10-R01](#) [FS3514NB0808-H6.0-R01](#) [FS40DS0450-H18.3](#) [FS77W0450-H23.5](#) [FS77W0850-H25.5](#) [FS78W0850-H34](#) [FS102W04200-H40](#) [FS3411P04-H4.0](#) [FS3232NB0820-H15.3-R01](#) [FS50DS0830-H12.7 PEI](#) [FS5630NB0830-H9.4-R01](#)