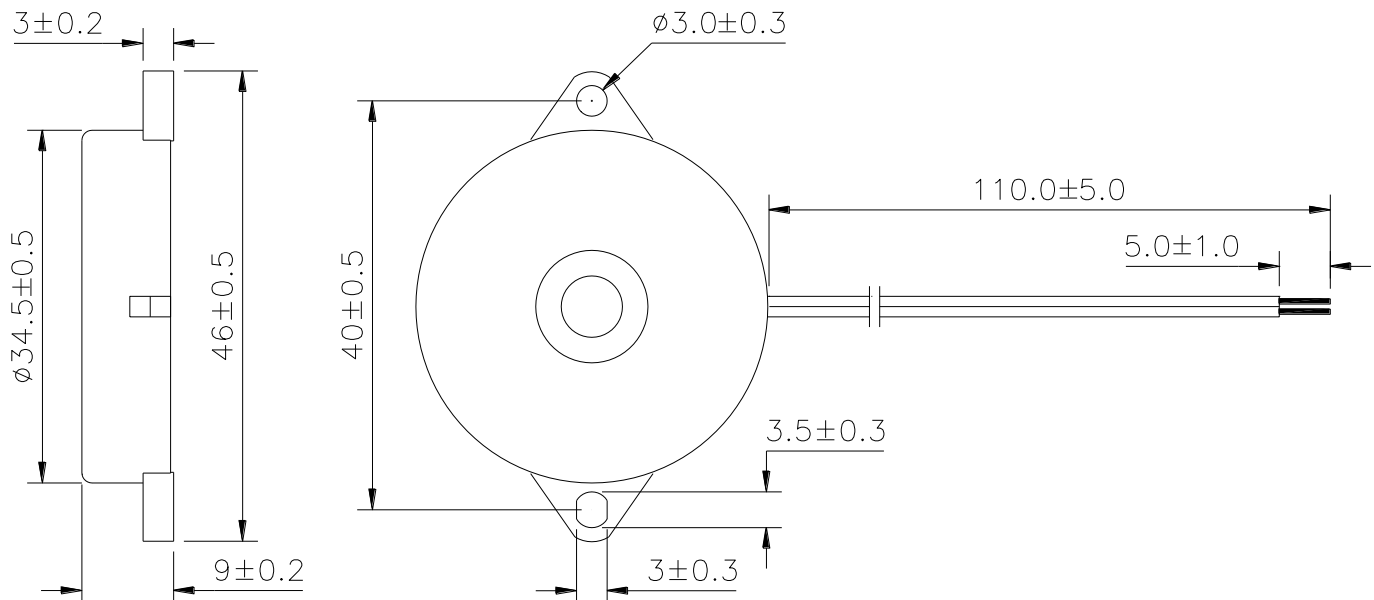


**May not be suitable for all medical and aerospace applications.**

**Specifications: Contact Mallory Sonalert to discuss your application.**

|                                |   |
|--------------------------------|---|
| Resonant Frequency (Hz)        | 1100 ± 500                                      |
| Operating Voltage Max (Vp-p)   | 30  |
| Rated Voltage (Vp-p)           | 5.0   |
| Current Consumption Max. (mA)  | 2.0 at Rated Voltage                            |
| Sound Pressure Level Min. (dB) | 85 at 10cm at Rated Voltage                     |
| Capacitance (pF)               | 48,000 ±30% @ 120Hz                             |
| Operating Temperature (°C)     | -20 ~ +90                                       |
| Storage Temperature (°C)       | -30 ~ +100                                      |
| Housing                        | ABS 777D UL94HB plastic resin<br>(Color: Black) |
| Leading Wire                   | 28 AWG  |
| Weight (Grams)                 | 5.8   |
| Options                        | For other options contact factory               |

**NO CIRCUITRY****Dimensions:** (units: mm)**ROHS Compliant**

## X-ON Electronics

Largest Supplier of Electrical and Electronic Components

*Click to view similar products for [Piezo Buzzers & Audio Indicators](#) category:*

*Click to view products by [Mallory Sonalert](#) manufacturer:*

Other Similar products are found below :

[6-4](#) [68S1240-PA](#) [MBA-624](#) [FDG06PSLLF](#) [FDG111PLF](#) [F/NRMB 24 BLACK LF](#) [PF-35N29WQ](#) [PFD-21A29W](#) [PFD-27A35PQ](#) [PL-21N30WQ](#) [PL-27A35PSQ](#) [PLD-21N30W](#) [PLD-21N30WQ](#) [PS-531Q](#) [PT-3534FP](#) [EBPT-401](#) [B822B](#) [PB-1220PEQ](#) [S6109](#) [SBM616PR](#) [SC110E](#) [SC2036ACP](#) [SC616N-2](#) [SC628FW](#) [SC628MPG](#) [SC648D](#) [SCS045MD9DT3S](#) [FCM12PLF](#) [F/EB20P-DR LF](#) [F/SMD03A LF](#) [FSMD8585JSLF](#) [F/SU 21-02 LF](#) [F/TCW 12 WITH LABEL LF](#) [F/UCW 06 WITH LABEL LF](#) [PFD-27N36W](#) [PKM22EPPH40S1-B0](#) [PKM35-4A0](#) [PL-35N29WQ](#) [PS-552Q](#) [CM-5](#) [REF-202](#) [B/SE 128 RED LF](#) [KBS-20DA-7AS](#) [KBS-27DA-5C-105](#) [LSC628ANR](#) [03-810.001](#) [RTO-1R07-001](#) [PL-21N31PQ](#) [B/CP 28B BLACK LF](#) [F/DGX 05P WITH LABEL LF](#)