



Mallory Sonalert Products, Inc.

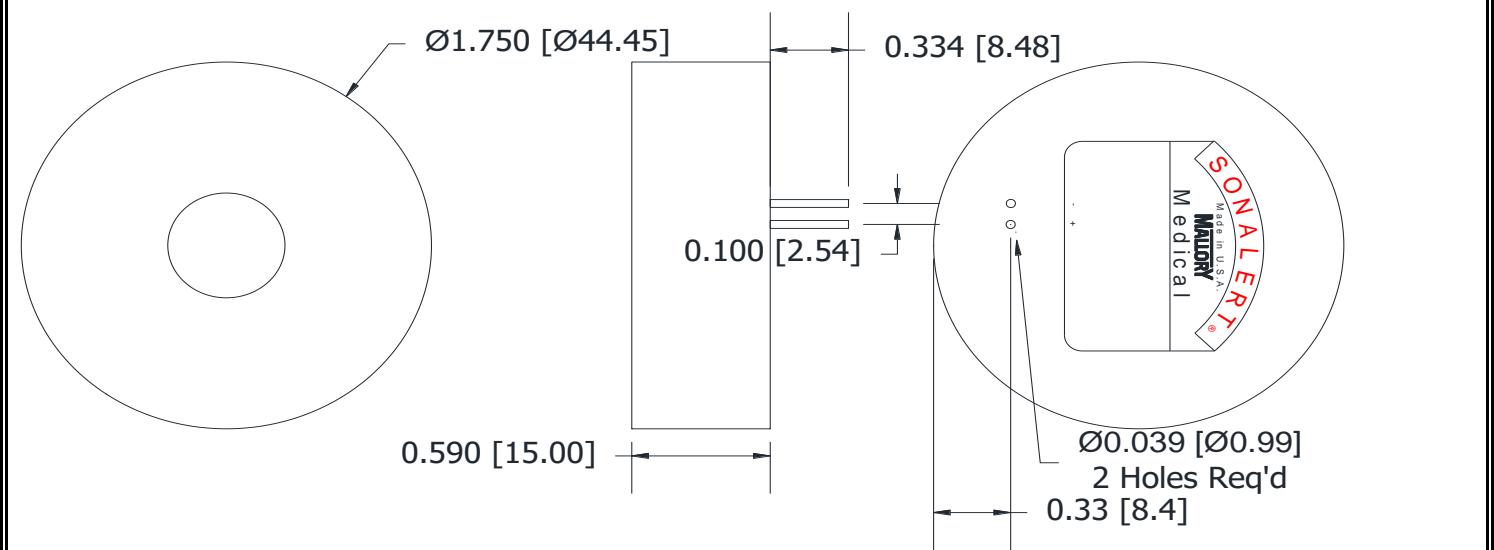
Part #: **SBS12GMPC**

Sales Outline Drawing

Revision: **A**

| | |
|-------------------------------|---|
| Specifications: | cUL Recognized to IEC60601-1-8 General Melody - Medium Priority Only |
| Sound Level Category: | Extra Loud |
| Mode of Operation: | Medium Priority Alarm - 3 beeps repeating every 7.5 sec |
| Voltage Rating: | 9 to 12 VDC |
| Frequency: | 150 to 4000 Hz |
| Loudness @ 10cm: | 95 to 105 dB(A) Typ. |
| Average Current Draw: | <300mA Typ. |
| Ipk Current*: | 400mA |
| Housing Material: | ABS 777D Plastic Resin, Black |
| Storage Temperature: | -40° to +85° C |
| Operating Temperature: | -30° to +65° C |
| Weight Typical: | 1.1 oz (32g) |
| Options: | Please contact factory. |
| Condition by wave solder (°C) | 260 ± 5 within 5 sec |
| Condition by hand solder (°C) | 350 ± 20 within 5 sec |

Dimensions: Inches (mm) **cUL Recognized** **ROHS Compliant**
 PATENT NUMBER: 7880593



*Ipk = Instantaneous Peak

tolerances: ± 0.01 [± 0.3]
 ± 0.005 [± 0.1]

X-ON Electronics

Largest Supplier of Electrical and Electronic Components

Click to view similar products for [Piezo Buzzers & Audio Indicators](#) category:

Click to view products by [Mallory Sonalert](#) manufacturer:

Other Similar products are found below :

[6-4](#) [68S1240-PA](#) [MBA-624](#) [FDG06PSLLF](#) [FDG111PLF](#) [F/NRMB 24 BLACK LF](#) [PF-35N29WQ](#) [PFD-21A29W](#) [PFD-27A35PQ](#) [PL-21N30WQ](#) [PL-27A35PSQ](#) [PLD-21N30W](#) [PLD-21N30WQ](#) [PS-531Q](#) [PT-3534FP](#) [EBPT-401](#) [B822B](#) [B/CP28/100DB/BLACK LF](#) [PB-1220PEQ](#) [S6109](#) [SBM616PR](#) [SC110E](#) [SC2036ACP](#) [SC616N-2](#) [SC628FW](#) [SC628MPG](#) [SC648D](#) [SCS045MD9DT3S](#) [FCM12PLF](#) [F/EB20P-DR LF](#) [F/SMD03A LF](#) [FSMD8585JSLF](#) [F/SU 21-02 LF](#) [F/TCW 12 WITH LABEL LF](#) [F/UCW 06 WITH LABEL LF](#) [PFD-27N36W](#) [PKM22EPPH40S1-B0](#) [PKM35-4A0](#) [PL-35N29WQ](#) [PS-552Q](#) [CM-5](#) [REF-202](#) [B/SE 128 RED LF](#) [KBS-20DA-7AS](#) [KBS-27DA-5C-105](#) [LSC628ANR](#) [03-810.001](#) [RTO-1R07-001](#) [PL-21N31PQ](#) [B/CP 28B BLACK LF](#)