



**Mallory Sonalert Products, Inc.**

Part #:

**SBT5GLPC**

**Sales Outline Drawing**

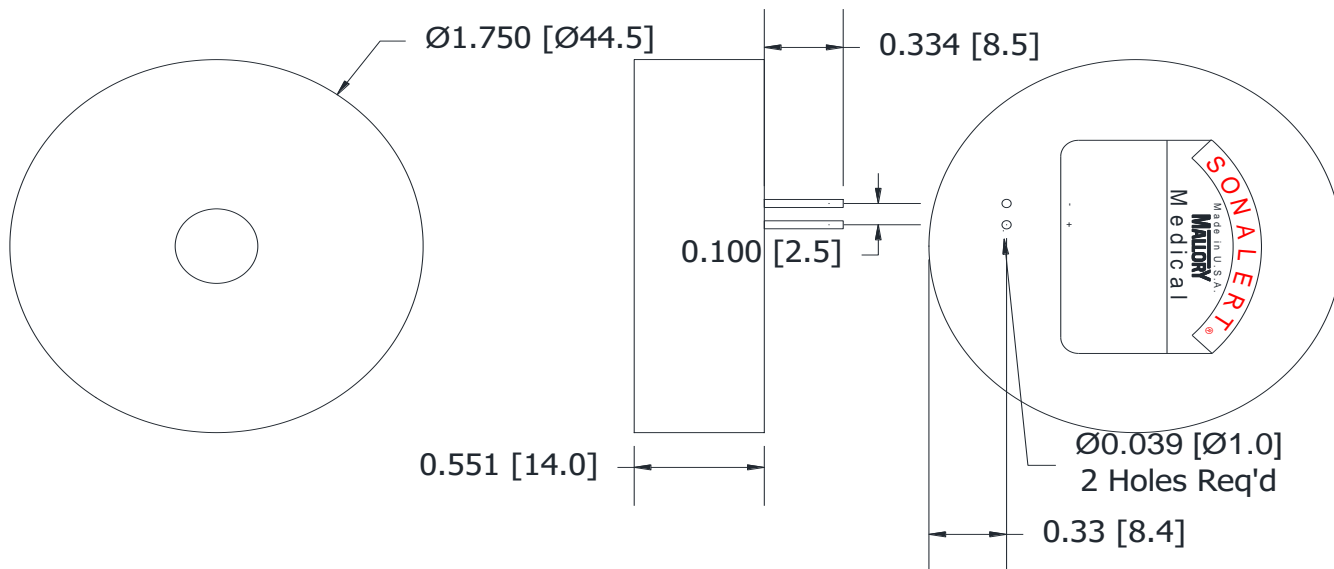
Revision:

**B**

<b>Specifications:</b>	<b>cUL Recognized to IEC60601-1-8 Any Melody - Low Priority Only</b>
Sound Level Category:	Loud
Mode of Operation:	Low Priority Alarm - 2 beeps repeating every 30 sec
Voltage Rating:	3.3 to 5 VDC
Frequency:	150 to 4000 Hz
Loudness @ 10cm:	85 to 95 dB(A) Typ.
Average Current Draw:	<35mA Typ.
Ipk Current*:	300mA
Housing Material:	ABS 777D Plastic Resin, Black
Storage Temperature:	-40° to +85° C
Operating Temperature:	-30° to +65° C
Weight Typical:	0.6 oz (17g)
Options:	Please contact factory.
Condition by wave solder (°C)	260 ± 5 within 5 sec
Condition by hand solder (°C)	350 ± 20 within 5 sec

**Dimensions:** Inches (mm) **cUL Recognized** **ROHS Compliant**

PATENT NUMBER: 7880593



\*Ipk = Instantaneous Peak

tolerances:  $\pm 0.01$  [ $\pm 0.3$ ]  
 $\pm 0.005$  [ $\pm 0.1$ ]

## X-ON Electronics

Largest Supplier of Electrical and Electronic Components

*Click to view similar products for [Piezo Buzzers & Audio Indicators](#) category:*

*Click to view products by [Mallory Sonalert](#) manufacturer:*

Other Similar products are found below :

[6-4](#) [68S1240-PA](#) [MBA-624](#) [FDG06PSLLF](#) [FDG111PLF](#) [F/NRMB 24 BLACK LF](#) [PF-35N29WQ](#) [PFD-21A29W](#) [PFD-27A35PQ](#) [PL-21N30WQ](#) [PL-27A35PSQ](#) [PLD-21N30W](#) [PLD-21N30WQ](#) [PS-531Q](#) [PT-3534FP](#) [EBPT-401](#) [B822B](#) [B/CP28/100DB/BLACK LF](#) [PB-1220PEQ](#) [S6109](#) [SBM616PR](#) [SC110E](#) [SC2036ACP](#) [SC616N-2](#) [SC628FW](#) [SC628MPG](#) [SC648D](#) [SCS045MD9DT3S](#) [FCM12PLF](#) [F/EB20P-DR LF](#) [F/SMD03A LF](#) [FSMD8585JSLF](#) [F/SU 21-02 LF](#) [F/TCW 12 WITH LABEL LF](#) [F/UCW 06 WITH LABEL LF](#) [PFD-27N36W](#) [PKM22EPPH40S1-B0](#) [PKM35-4A0](#) [PL-35N29WQ](#) [PS-552Q](#) [CM-5](#) [REF-202](#) [B/SE 128 RED LF](#) [KBS-20DA-7AS](#) [KBS-27DA-5C-105](#) [LSC628ANR](#) [03-810.001](#) [RTO-1R07-001](#) [PL-21N31PQ](#) [B/CP 28B BLACK LF](#)