



Mallory Sonalert Products, Inc.

Part #:

SC628AE

Sales Outline Drawing

Revision:

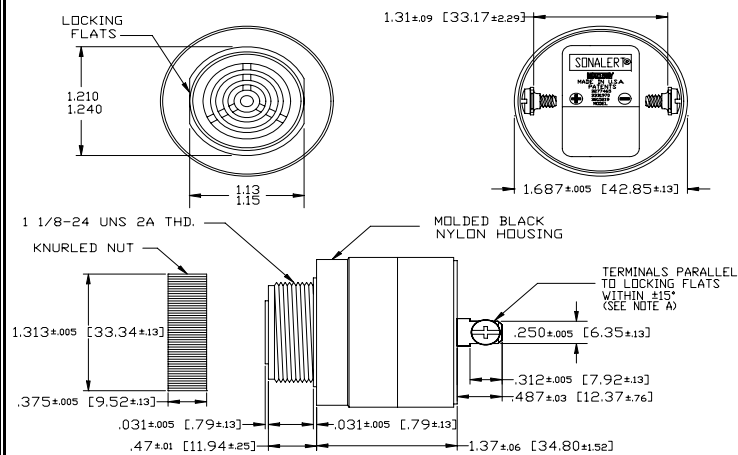
C

Specifications:

Sound Level Category	Soft
Mode of Operation	Continuous
Voltage Rating	6 to 28 VAC
Frequency	2000 ± 500 Hz
Loudness @ 2 FT	57 to 72 dB(A) Typ.
Current Draw	2-10 mA
Housing Material	6/6 Nylon, Color: Black
Storage Temperature	-40° to +85° C
Operating Temperature	-30° to +65° C
Panel Mounting	Recommended hole size is 1.25"(31.75mm). Thread front will fit standard 30mm(1.181") hole.
Knurled Nut	Used to attach part to panel. The max recommended torque is 10 in-lbs.
Weight (Typical)	1.6 oz (45g)
NEMA 3R,4X, & 12	Approved with use of ACC03.
Options	Please contact factory.

Dimensions: Inches (mm)

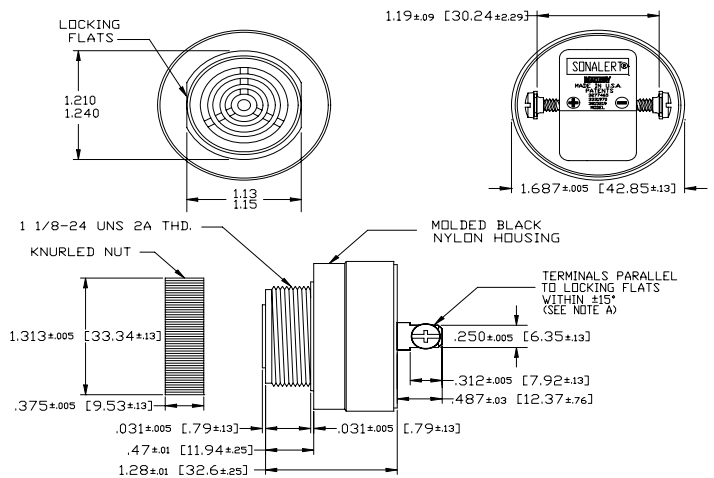
PART DIMENSIONS BEFORE CODE DATE 1019 5



NOTE A: TERMINALS-.032 BRASS TIN PLATED, TAPPED FOR #6-32 SCREW. TWO #6-32 NICKEL PLATED BRASS SCREWS INCLUDED. WILL ACCEPT 1/4" QUICK CONNECT.

NOTE B: MOUNTING- REMOVE BLACK PLASTIC NUT AND INSERT THREADED FRONT THROUGH 1.25" HOLE PUNCHED IN PANEL. IF ORIENTATION IS NEEDED, NOTE LOCKING FLATS ON DRAWING. SCREW NUT BACK ON. DO NOT OVERTIGHTEN.

PART DIMENSIONS AFTER CODE DATE 1020 1



NOTE A: TERMINALS-.032 BRASS TIN PLATED, TAPPED FOR #6-32 SCREW. TWO #6-32 NICKEL PLATED BRASS SCREWS INCLUDED. WILL ACCEPT 1/4" QUICK CONNECT.

NOTE B: MOUNTING- REMOVE BLACK PLASTIC NUT AND INSERT THREADED FRONT THROUGH 1.25" HOLE PUNCHED IN PANEL. IF ORIENTATION IS NEEDED, NOTE LOCKING FLATS ON DRAWING. SCREW NUT BACK ON. DO NOT OVERTIGHTEN.

X-ON Electronics

Largest Supplier of Electrical and Electronic Components

Click to view similar products for [Mallory Sonalert](#) manufacturer:

Other Similar products are found below :

[PK-16N04WA-01Q](#) [MSE28MSN2S](#) [SC110HJ](#) [SC250HR](#) [SC250N](#) [SC616N-2](#) [SC616P](#) [SC616Q](#) [SC628AEJ](#) [SC628NL](#) [SCE028XA3CTB](#)
[SCE028XA3PS1B](#) [SNP428FR](#) [ZA028LDSP1](#) [MSE14LCH2S](#) [SCE028MD2CT1B](#) [PLD-21N30PQ](#) [VSB110-2](#) [VSB110-1](#) [PH-150Q](#)
[MSS5MMV](#) [SCE028LD2CT1B](#) [SC616NP-BTR](#) [SBT12MMVPC](#) [ZA120SACT](#) [ZA028LDSR9](#) [SNP2](#) [SC648CPNR](#) [SC648HR](#)
[SCE016MD3PS1B](#) [SCE028XD3MG5B](#) [PT-2726FPQ](#) [SCE016XD3MG5F](#) [JT120-RYG-CSL](#) [JT028-RYGBC-CS](#) [JT028-RG-CDL](#) [JT028-](#)
[RYGB-CSL](#) [JT120-R-CS](#) [JT120-RY-CSL](#) [JT120-RY-CS](#) [JT120-RYG-CD](#) [JT120-RYG-CDL](#) [JT028-RG-CSL](#) [SCE016LD2CTB](#) [JT120-R-](#)
[CSL](#) [JT120-RG-CSL](#) [JT028-R-CD](#) [JT028-RYGB-CDL](#) [JT028-RYG-CSL](#) [SC616J-1R](#)