

Specifications:

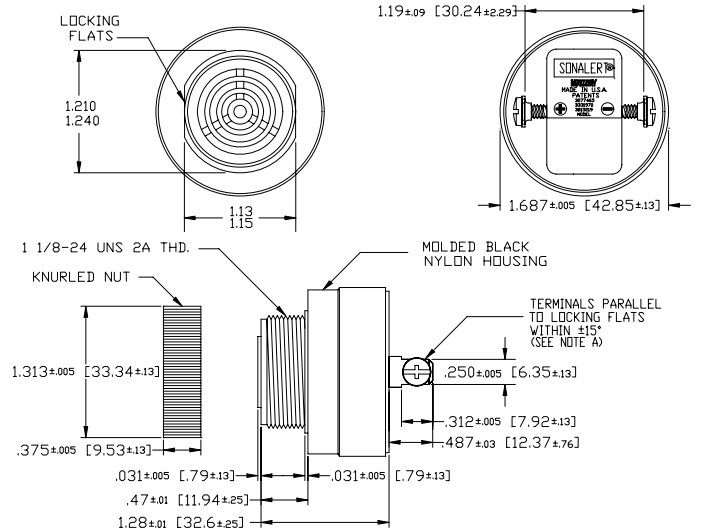
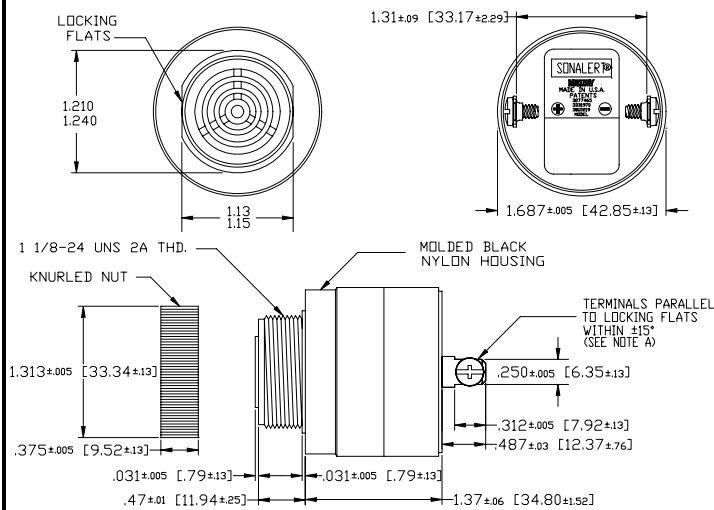
Sound level Category	Medium Sound Level
Mode of Operation	Slow Pulse
Mounting	Panel (see note B)
Voltage Rating	6 to 28 Vdc
Frequency Range	1900 Hz ±300 Hz
Loudness (Min. Voltage)	60 dB(A) min. @ 2 FT and 6 Vdc
Loudness (Max Voltage)	75 dB(A) min. @ 2FT and 28 Vdc
Current Draw	5 mA Max @ 6 Vdc
Current Draw	23 mA Max @ 28 Vdc
Min Pulse Rate (PPS)	0.5 @ 6Vdc
Max Pulse Rate (PPS)	2.0 @ 28Vdc
Duty Cycle (%)	50 (Approx)
Storage Temperature	-40°C to +85°C
Operating Temperature	-30°C to +65°C
Weight (Typical)	2.1 oz (59 g)
Housing	6/6 Nylon, Color Black
Options	For other options contact factory

Dimensions: Inches (mm)

UL Recognized 

PART DIMENSIONS BEFORE CODE DATE 0824 5

PART DIMENSIONS AFTER CODE DATE 0825 1



NOTE A: TERMINALS-.032 BRASS TIN PLATED, TAPPED FOR #6-32 SCREW. TWO #6-32 NICKEL PLATED BRASS SCREWS INCLUDED. WILL ACCEPT 1/4" QUICK CONNECT.

NOTE B: MOUNTING- REMOVE BLACK PLASTIC NUT AND INSERT THREADED FRONT THROUGH 1/25" HOLE PUNCHED IN PANEL. IF ORIENTATION IS NEEDED, NOTE LOCKING FLATS ON DRAWING. SCREW NUT-BACK ON. DO NOT OVERTIGHTEN.

NOTE A: TERMINALS-.032 BRASS TIN PLATED, TAPPED FOR #6-32 SCREW. TWO #6-32 NICKEL PLATED BRASS SCREWS INCLUDED. WILL ACCEPT 1/4" QUICK CONNECT.

NOTE B: MOUNTING- REMOVE BLACK PLASTIC NUT AND INSERT THREADED FRONT THROUGH 1/25" HOLE PUNCHED IN PANEL. IF ORIENTATION IS NEEDED, NOTE LOCKING FLATS ON DRAWING. SCREW NUT-BACK ON. DO NOT OVERTIGHTEN.

X-ON Electronics

Largest Supplier of Electrical and Electronic Components

Click to view similar products for [Mallory Sonalert](#) manufacturer:

Other Similar products are found below :

[PK-16N04WA-01Q](#) [MSE28MSN2S](#) [SC110HJ](#) [SC250HR](#) [SC250N](#) [SC616N-2](#) [SC616P](#) [SC616Q](#) [SC628AEJ](#) [SC628NL](#) [SCE028XA3CTB](#)
[SCE028XA3PS1B](#) [SNP428FR](#) [ZA028LDSP1](#) [MSE14LCH2S](#) [SCE028MD2CT1B](#) [PLD-21N30PQ](#) [PK-20A38PQ](#) [VSB110-2](#) [VSB110-1](#) [PH-](#)
[150Q](#) [MSS5MMV](#) [SCE028LD2CT1B](#) [SC616NP-BTR](#) [SBT12MMVPC](#) [ZA120SACT](#) [ZA028LDSR9](#) [ZA016LDCT](#) [SNP2](#) [SC648CPNR](#)
[SCE016MD3PS1B](#) [SCE028XD3MG5B](#) [PT-2726FPQ](#) [SCE016XD3MG5F](#) [JT120-RYG-CSL](#) [JT028-RYGBC-CS](#) [JT028-RG-CDL](#) [JT028-](#)
[RYGB-CSL](#) [JT120-R-CS](#) [JT120-RY-CSL](#) [JT120-RY-CS](#) [JT120-RYG-CD](#) [JT120-RYG-CDL](#) [JT028-RG-CSL](#) [SCE016LD2CTB](#) [JT120-R-](#)
[CSL](#) [JT120-RG-CSL](#) [JT028-R-CD](#) [JT028-RYGB-CDL](#) [JT028-RYG-CSL](#)