

Specifications:

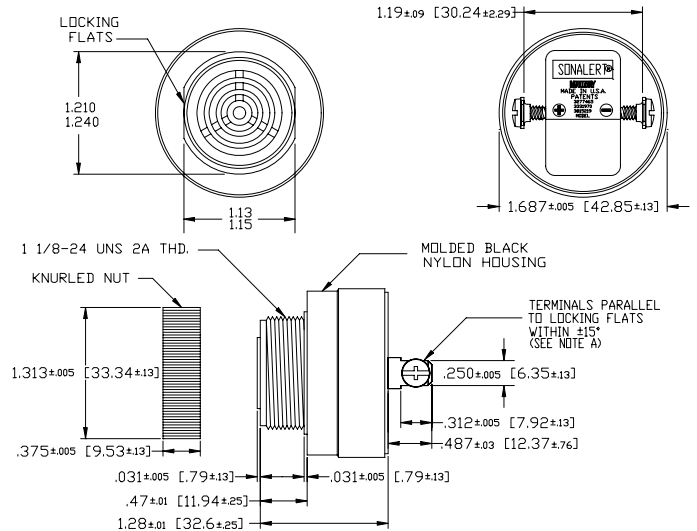
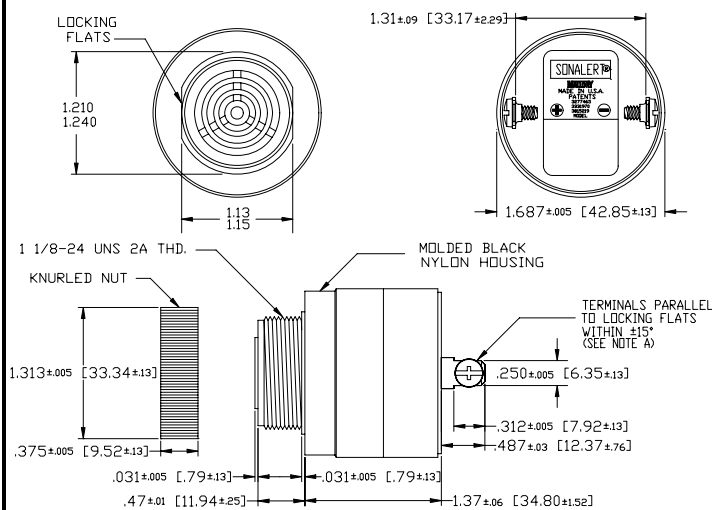
Sound level Category	Medium Sound Level
Mode of Operation	Continuous
Mounting	Panel (see note B)
Voltage Rating	10 to 48 Vac/dc
Frequency	1900 Hz \pm 300 Hz
Loudness (Min. Voltage)	60 dB(A) min. @ 2 FT and 10 Vac/dc
Loudness (Max Voltage)	75 dB(A) min. @ 2FT and 48 Vac/dc
Current Draw	4 mA Max @ 10 Vac/dc
Current Draw	22 mA Max @ 48 Vac/dc
Storage Temperature	-40°C to +85°C
Operating Temperature	-30°C to +65°C
Weight (Typical)	2.1 oz (59 g)
Housing	6/6 Nylon, Color Black
Options	For other options contact factory

Dimensions: Inches (mm)

UL Recognized 

PART DIMENSIONS BEFORE CODE DATE 0820 5

PART DIMENSIONS AFTER CODE DATE 0821 1



NOTE A: TERMINALS--032 BRASS TIN PLATED, TAPPED FOR #6-32 SCREW. TWO #6-32 NICKEL PLATED BRASS SCREWS INCLUDED. WILL ACCEPT 1/4" QUICK CONNECT.

NOTE B: MOUNTING-- REMOVE BLACK PLASTIC NUT AND INSERT THREADED FRONT THROUGH 1.25" HOLE PUNCHED IN PANEL, IF ORIENTATION IS NEEDED, NOTE LOCKING FLATS ON DRAWING. SCREW NUT BACK ON. DO NOT OVERTIGHTEN.

NOTE A: TERMINALS--032 BRASS TIN PLATED, TAPPED FOR #6-32 SCREW. TWO #6-32 NICKEL PLATED BRASS SCREWS INCLUDED. WILL ACCEPT 1/4" QUICK CONNECT.

NOTE B: MOUNTING-- REMOVE BLACK PLASTIC NUT AND INSERT THREADED FRONT THROUGH 1.25" HOLE PUNCHED IN PANEL, IF ORIENTATION IS NEEDED, NOTE LOCKING FLATS ON DRAWING. SCREW NUT BACK ON. DO NOT OVERTIGHTEN.

X-ON Electronics

Largest Supplier of Electrical and Electronic Components

Click to view similar products for [Mallory Sonalert](#) manufacturer:

Other Similar products are found below :

[PK-16N04WA-01Q](#) [MSE28MSN2S](#) [SC110HJ](#) [SC250HR](#) [SC250N](#) [SC616N-2](#) [SC616P](#) [SC616Q](#) [SC628AEJ](#) [SC628NL](#) [SCE028XA3CTB](#)
[SCE028XA3PS1B](#) [SNP428FR](#) [ZA028LDSP1](#) [MSE14LCH2S](#) [SCE028MD2CT1B](#) [PLD-21N30PQ](#) [VSB110-2](#) [VSB110-1](#) [PH-150Q](#)
[MSS5MMV](#) [SCE028LD2CT1B](#) [SC616NP-BTR](#) [SBT12MMVPC](#) [ZA120SACT](#) [ZA028LDSR9](#) [SNP2](#) [SC648CPNR](#) [SC648HR](#)
[SCE016MD3PS1B](#) [SCE028XD3MG5B](#) [PT-2726FPQ](#) [SCE016XD3MG5F](#) [JT120-RYG-CSL](#) [JT028-RYGBC-CS](#) [JT028-RG-CDL](#) [JT028-](#)
[RYGB-CSL](#) [JT120-R-CS](#) [JT120-RY-CSL](#) [JT120-RY-CS](#) [JT120-RYG-CD](#) [JT120-RYG-CDL](#) [JT028-RG-CSL](#) [SCE016LD2CTB](#) [JT120-R-](#)
[CSL](#) [JT120-RG-CSL](#) [JT028-R-CD](#) [JT028-RYGB-CDL](#) [JT028-RYG-CSL](#) [SC616J-1R](#)