



**Mallory Sonalert Products, Inc.**

Part #:

**SNP428R**

**Sales Outline Drawing**

Revision:

**B**

**Specifications:**

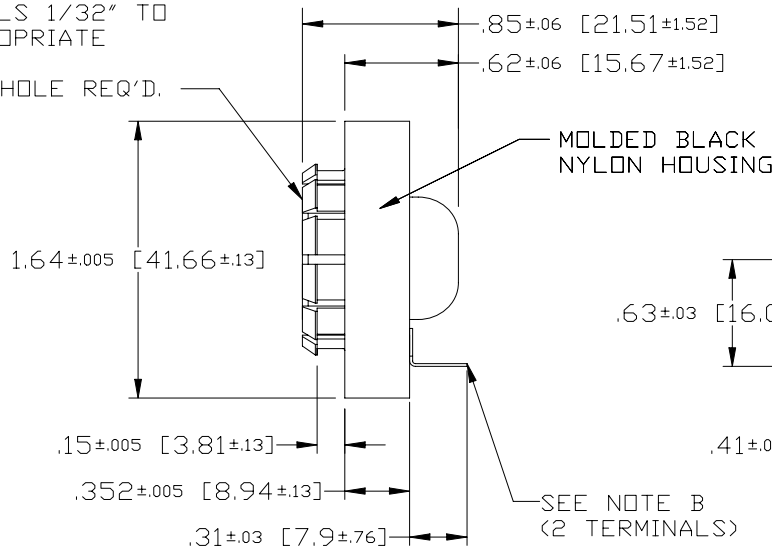
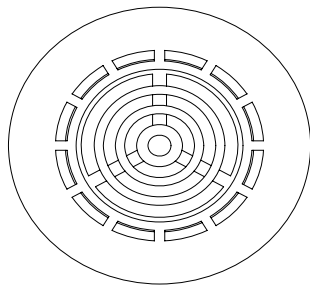
Sound Level Category	Medium
Mode of Operation	Continuous
Voltage Rating	4 to 28 VDC
Frequency	2900 ± 500 Hz
Loudness @ 2 FT	69 to 83 Typ.
Current Draw	3-18 mA
Housing Material	6/6 Nylon, Color: Black
Storage Temperature	-40° to +85° C
Operating Temperature	-30° to +65° C
Panel Mounting	Recommended hole size is 1.25"(31.75mm). Thread front will fit standard 30mm(1.181") hole.
Weight (Typical)	0.5 oz (17g)
Options	Please contact factory.

**Dimensions:** Inches (mm)

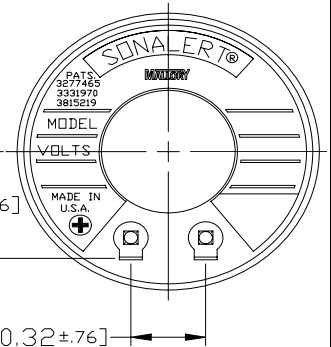
**cUL Recognized**

**ROHS Compliant**

NOTE A:  
 MOUNTING - THIS PORTION  
 SNAP-LOCKS INTO PANELS 1/32" TO  
 1/8" THICK USING APPROPRIATE  
 COMPRESSION WASHER.  
 1.063 ±.005 DIA. PANEL HOLE REQ'D.



MOLDED BLACK NYLON HOUSING



SEE NOTE B  
(2 TERMINALS)

NOTE B:  
 TERMINALS - .016 BRASS, HOT TIN FINISH WITH  
 .076 WIRE HOLE. TERMINAL WILL ACCEPT  
 STANDARD 1/8" QUICK CONNECT

## X-ON Electronics

Largest Supplier of Electrical and Electronic Components

*Click to view similar products for [Piezo Buzzers & Audio Indicators](#) category:*

*Click to view products by [Mallory Sonalert](#) manufacturer:*

Other Similar products are found below :

[6-4](#) [68S1240-PA](#) [MBA-624](#) [FDG06PSLLF](#) [FDG111PLF](#) [F/NRMB 24 BLACK LF](#) [PF-35N29WQ](#) [PFD-21A29W](#) [PFD-27A35PQ](#) [PL-21N30WQ](#) [PL-27A35PSQ](#) [PLD-21N30W](#) [PLD-21N30WQ](#) [PS-531Q](#) [PT-3534FP](#) [EBPT-401](#) [B822B](#) [B/CP28/100DB/BLACK LF](#) [PB-1220PEQ](#) [S6109](#) [SBM616PR](#) [SC110E](#) [SC2036ACP](#) [SC616N-2](#) [SC628FW](#) [SC628MPG](#) [SC648D](#) [SCS045MD9DT3S](#) [FCM12PLF](#) [F/EB20P-DR LF](#) [F/SMD03A LF](#) [FSMD8585JSLF](#) [F/SU 21-02 LF](#) [F/TCW 12 WITH LABEL LF](#) [F/UCW 06 WITH LABEL LF](#) [PFD-27N36W](#) [PKM22EPPH40S1-B0](#) [PKM35-4A0](#) [PL-35N29WQ](#) [PS-552Q](#) [CM-5](#) [REF-202](#) [B/SE 128 RED LF](#) [KBS-20DA-7AS](#) [KBS-27DA-5C-105](#) [LSC628ANR](#) [03-810.001](#) [RTO-1R07-001](#) [PL-21N31PQ](#) [B/CP 28B BLACK LF](#)